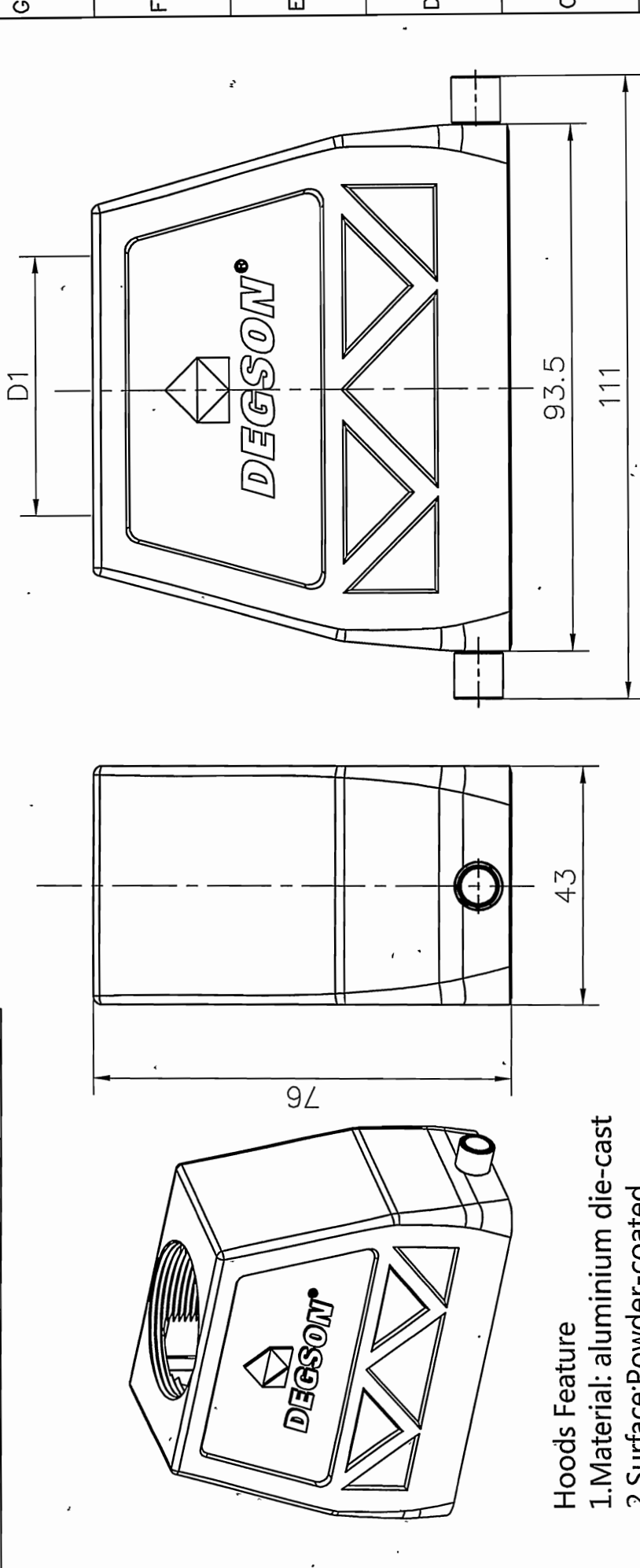


TYPE	Thread(D1)	Selection
D16B-TEH-2g-M32	M32	
D16B-TEH-2g-M40	M40	
D16B-TEH-2g-PG21	PG21	
D16B-TEH-2g-PG29	PG29	

REVISION RECORD				
REV	ECN	DESCRIPTION	DRFT	DATE



**Hoods Feature**

1. Material: aluminium die-cast
2. Surface: Powder-coated
3. Color: grey (RAL 7037)
4. Limiting temperatures: -40°C ~ +125°C
5. Flammability acc to UL94:V0
6. Degree of protection acc.to EN60529 for coupled connector :IP65
7. Rohs compliance

PART NO.:	/	DEGSON®	NINGBO DEGSON ELECTRICAL CO., LTD
APPR:	HJS 2017.7.2	NAME:	D16B-TEH-2g-M/PG
CHKD:	CHK 2017.7.1	TITLE:	CUSTOMER DRAWING
DRFT:	Mr.yang 2017/06/28	DRAWING NO.:	REV DO-1
THIRD ANGLE PROJECTION		DO NOT SCALE	DRAWING SCALE 1:1
MIN (INCH)		SHEET	1/1