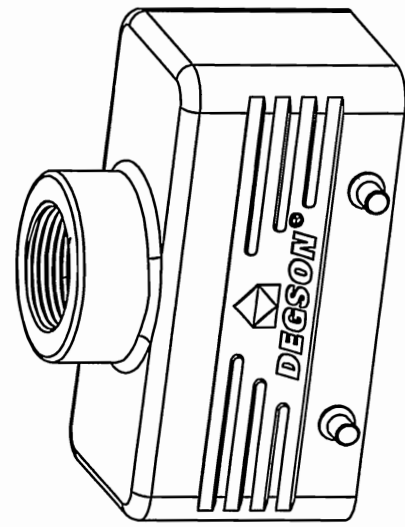
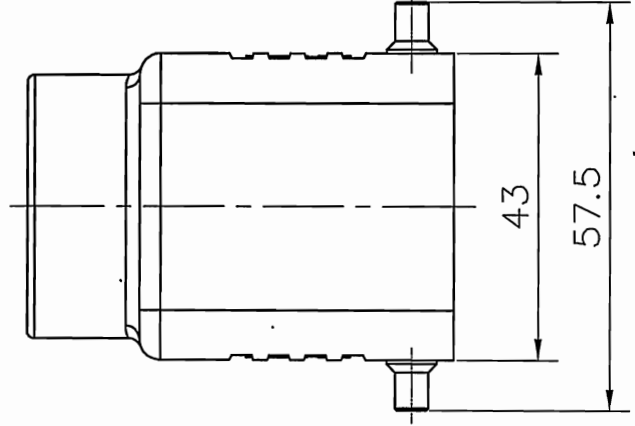
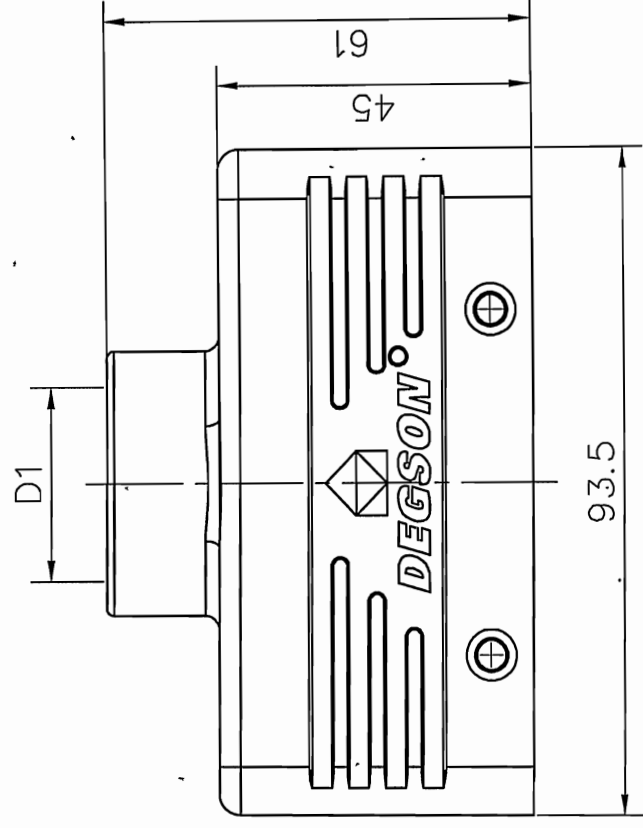


REVISION RECORD				
REV	ECN	DESCRIPTION	DRFT	DATE

TYPE	Thread(D1)	Selection
D16B-TE-4g-M25	M25	
D16B-TE-4g-M32	M32	
D16B-TE-4g-PG21	PG21	



Hoods Feature

1. Material: aluminium die-cast
2. Surface: Powder-coated
3. Color: grey (RAL 7037)
4. Limiting temperatures: $-40^{\circ}\text{C} \sim +125^{\circ}\text{C}$
5. Flammability acc to UL94:V0
6. Degree of protection acc.to EN60529 for coupled connector :IP65
7. Rohs compliance

PART NO:	/	DEGSON®	NINGBO DEGSON ELECTRICAL CO., LTD	
APPD:	M/S 2017.7.2	NAME:	D16B-TE-4g-M/PG	
CHKD:	Chen 2017.7.1	TITLE:	CUSTOMER DRAWING	
DRFT:	Mr. yang	2017/06/28	REV	DO-1
THIRD ANGLE PROJECTION		DRAWING NO:	SHEET	1/1
		MM (INCH)	DO NOT SCALE DRAWING	SCALE
				1:1

TYPE	Thread(D1)	Selection
D16B-TE-4g-M25	M25	
D16B-TE-4g-M32	M32	
D16B-TE-4g-PG21	PG21	