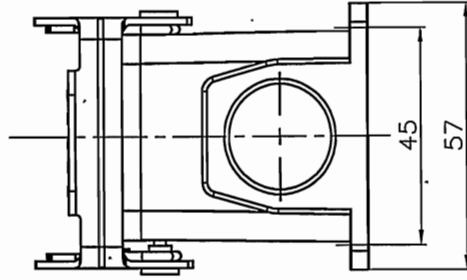
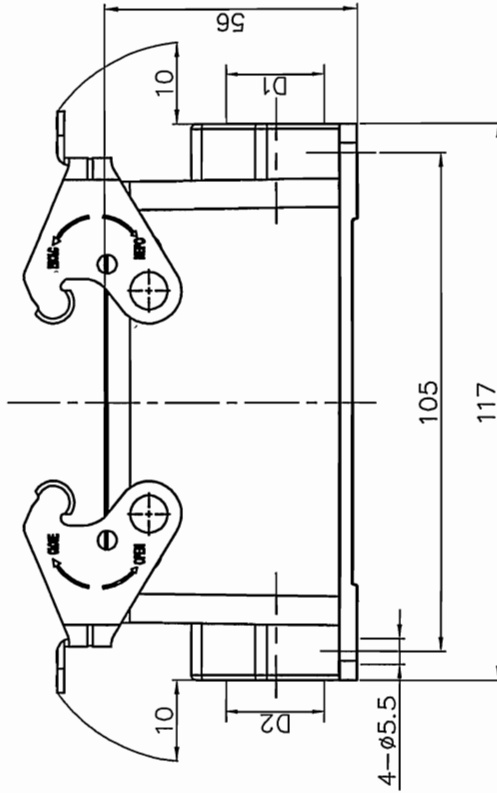
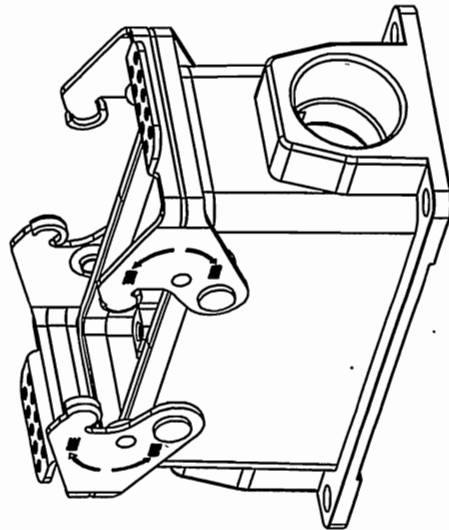


| TYPE             | Thread |      | Selection |
|------------------|--------|------|-----------|
|                  | D1     | D2   |           |
| D16B-SF-2L-M25   | M25    | —    |           |
| D16B-SF-2L-2M25  | M25    | M25  |           |
| D16B-SF-2L-PG21  | PG21   | —    |           |
| D16B-SF-2L-2PG21 | PG21   | PG21 |           |

| REVISION RECORD |     |             |      |      |
|-----------------|-----|-------------|------|------|
| REV             | ECN | DESCRIPTION | DRFT | DATE |
|                 |     |             |      |      |



**Housings Feature**

- 01. Material: aluminium die-cast
- 02. Surface: Powder-coated
- 03. Color: grey (RAL 7037)
- 04. Material: Metal (Lever)
- 05. Sealing: NBR
- 06. Limiting temperatures: -40°C ~ +125°C
- 07. Flammability acc to UL94: V0
- 08. Degree of protection acc to EN60529 for coupled connector: IP65
- 09. Rohs compliance

DETACHED LISTS

PART NO.: /  
 APPD: HYS 2017.7.5  
 CHKD: CHK 2017.7.1  
 DRFT: Mr. yang 2017/06/28  
 THIRD ANGLE PROJECTION

NINGBO DEGSON ELECTRICAL CO., LTD  
 NAME: D16B-SF-2L-M/PG  
 TITLE: CUSTOMER DRAWING  
 DRAWING NO.:  
 DO NOT SCALE DRAWING  
 REV: D0-1  
 SHEET: 1/1  
 SCALE: 1:1.5