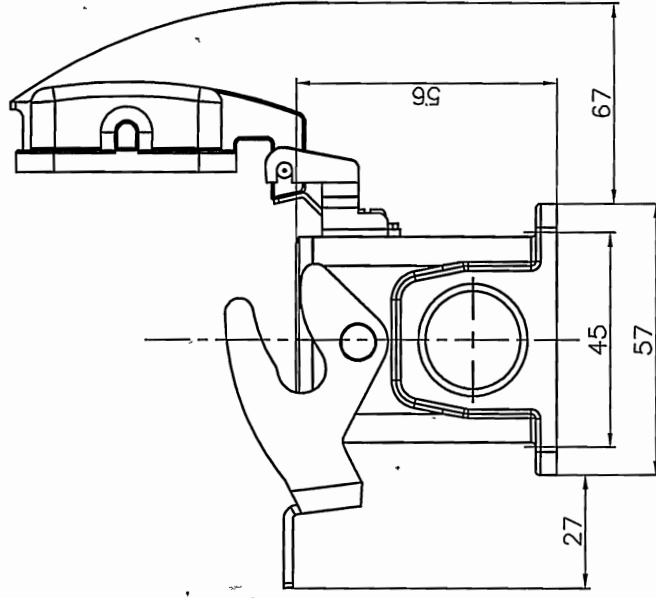
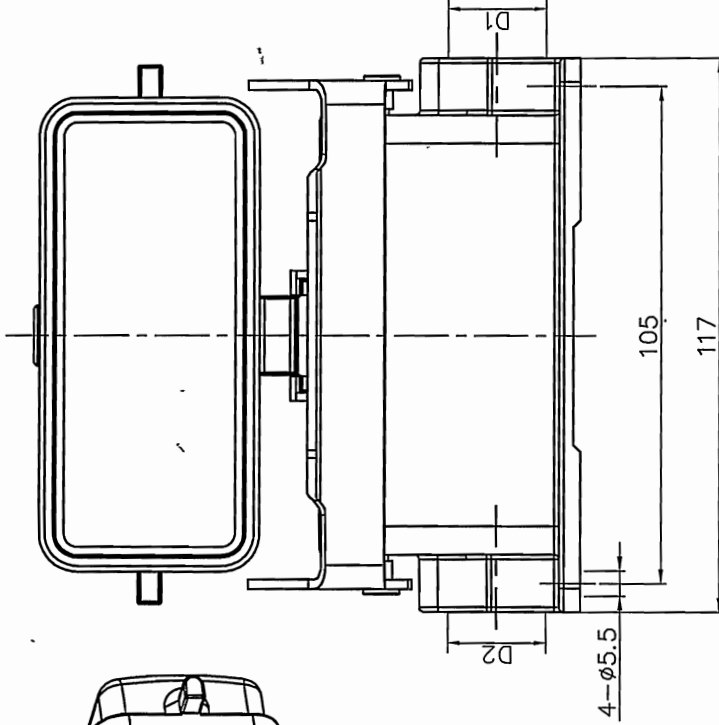
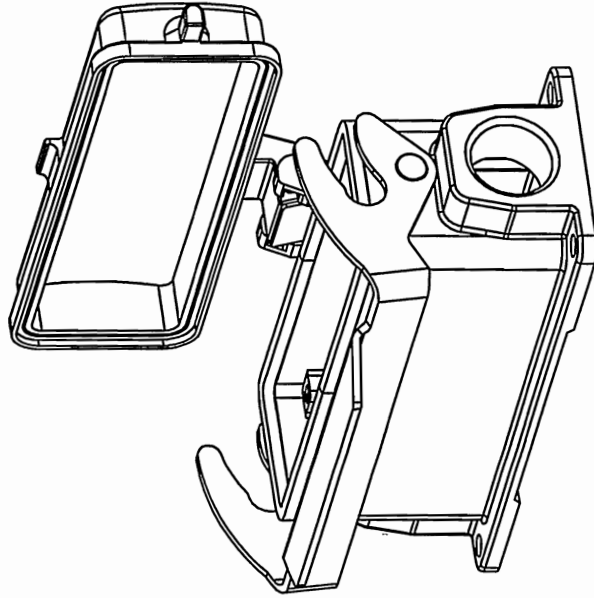


TYPE	Thread		Selection
	D1	D2	
D16B-SF-1L-CV-M25	M25	—	
D16B-SF-1L-CV-2M25	M25	M25	
D16B-SF-1L-CV-PG21	PG21	—	
D16B-SF-1L-CV-2PG21	PG21	PG21	

REVISION RECORD				
REV	ECN	DESCRIPTION	DRFT	DATE



Housings Feature

- 01.Material: aluminium die-cast
- 02.Surface:Powder-coated
- 03.Color:grey(RAL 7037)
- 04.Material:Metal (Lever)
- 05.Sealing:NBR
- 06.Covers:Plastic
- 07.Limiting temperatures:-40°C ~ +125°C
- 08.Flammability acc to UL94:V0
- 09.Degree of protection acc.to EN60529 for coupled connector :IP65
- 10.Rohs compliance

PART NO:	/	NINGBO DEGSON ELECTRICAL CO., LTD
APPR:	HYS 2017.7.3	NAME: D16B-SF-1L-CV-M/PG
CHKD:	CHK 2017.7.1	TITLE: CUSTOMER DRAWING
DRFT:	Mr.yang 2017/06/28	REV DO-1
THIRD ANGLE PROJECTION	MM (INCH)	SHEET 1/1
DO NOT SCALE	DRAWING SCALE	1:1.5