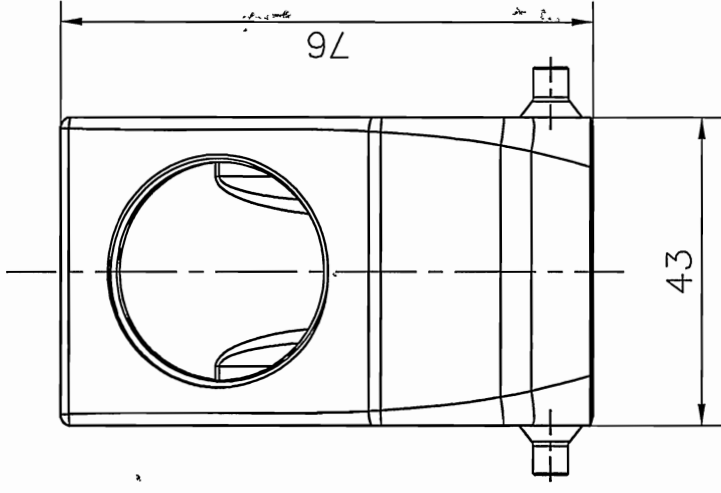
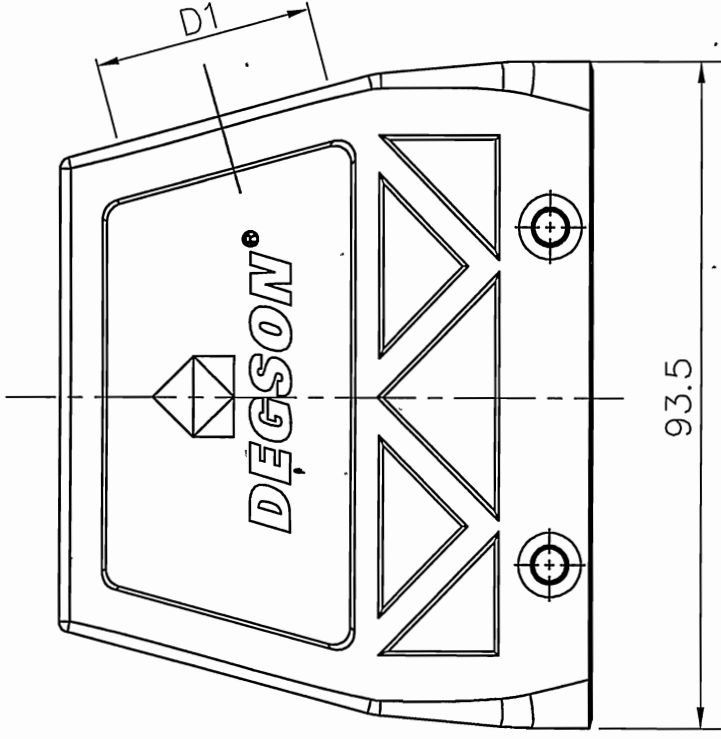
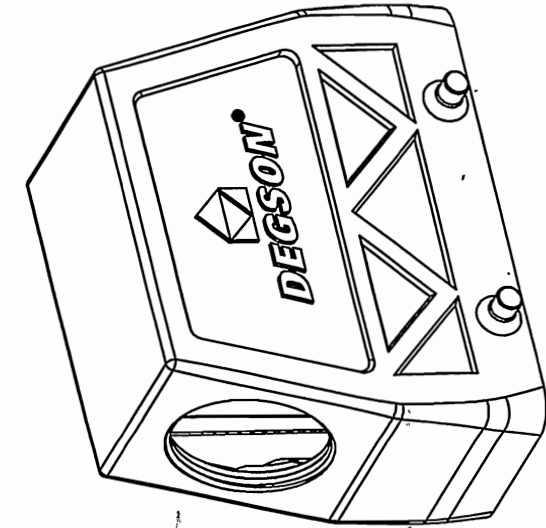


REVISION RECORD				
REV	ECN	DESCRIPTION	DRFT	DATE

TYPE	Thread(D1)	Selection
D16B-SEH-4g-M32	M32	
D16B-SEH-4g-M40	M40	
D16B-SEH-4g-PG21	PG21	
D16B-SEH-4g-PG29	PG29	



**Hoods Feature**

1. Material: aluminium die-cast
2. Surface: Powder-coated
3. Color: grey (RAL 7037)
4. Limiting temperatures: -40°C ~ +125°C
5. Flammability acc to UL94:V0
6. Degree of protection acc.to EN60529 for coupled connector :IP65
7. Rohs compliance

PART NO:	/	DEGSON®	宁波高松电子有限公司
APPD:	MSS 2017.7.5	NINGBO DEGSON ELECTRICAL CO., LTD	
CHKD:	CHK 2017.7.1	NAME:	D16B-SEH-4g-M/PG
DRFT:	Mr.yang 2017/06/28	TITLE:	CUSTOMER DRAWING
THIRD ANGLE PROJECTION		DRAWING NO:	
		REV	DO-1
		SHEET	1/1
		DO NOT SCALE	DRAWING SCALE
			1:1