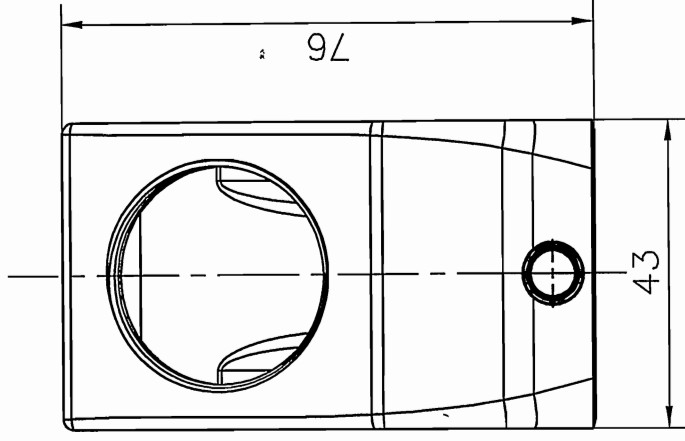
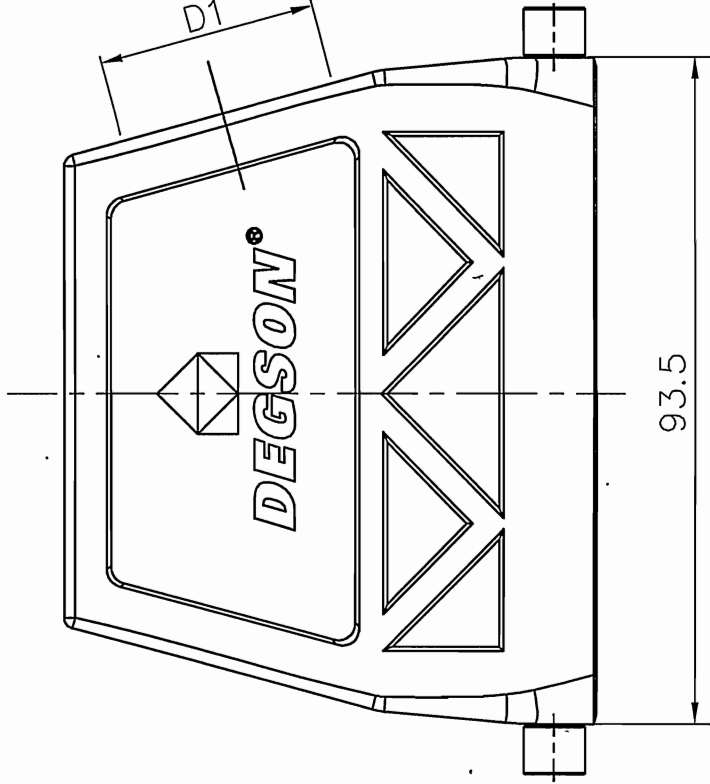
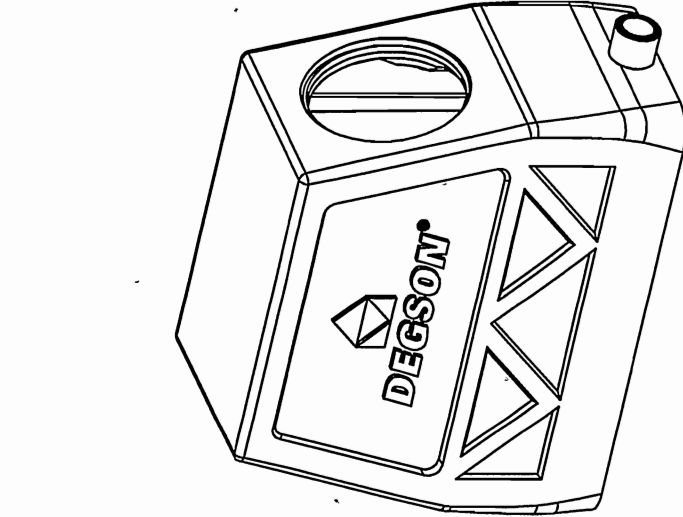


TYPE	Thread(D1)	Selection
D16B-SEH-2g-M32	M32	
D16B-SEH-2g-M40	M40	
D16B-SEH-2g-PG21	PG21	
D16B-SEH-2g-PG29	PG29	

REVISION RECORD				
REV	ECN	DESCRIPTION	DRFT	DATE



Hoods Feature-

1. Material: aluminium die-cast
2. Surface: Powder-coated
3. Color: grey (RAL 7037)
4. Limiting temperatures: -40°C ~ +125°C
5. Flammability acc to UL94:V0
6. Degree of protection acc.to EN60529 for coupled connector :IP65
7. Rohs compliance

PART NO: /		NINGBO DEGSON ELECTRICAL CO., LTD	
APPD: HSY2017.7.5	NAME: D16B-SEH-2g-M/PG	NINGBO DEGSON ELECTRICAL CO., LTD	
CHKD: CML2017.7.1	TITLE: CUSTOMER DRAWING	REV	DO-1
DRFT: Mr. Yang 2016.08.08	DRAWING NO: /	SHEET	1/1
THIRD ANGLE PROJECTION		DO NOT SCALE	DRAWING SCALE
			1:1