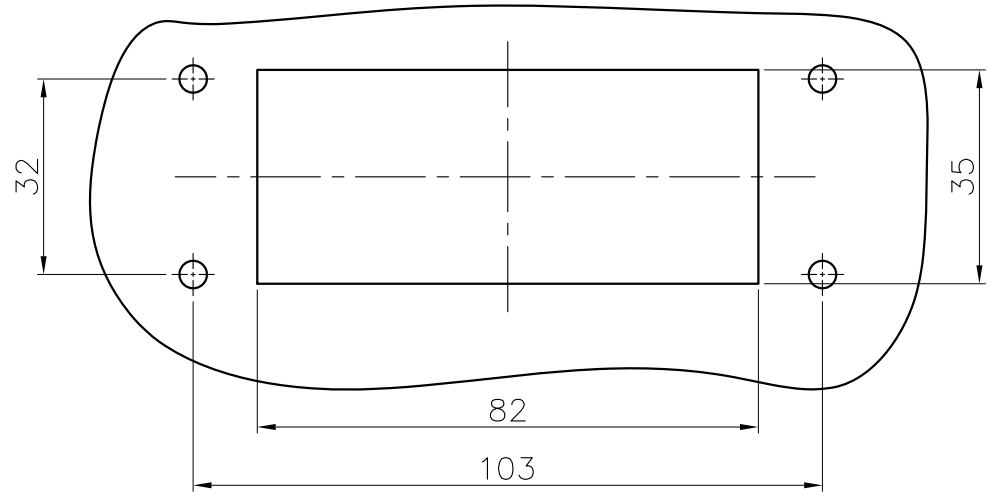
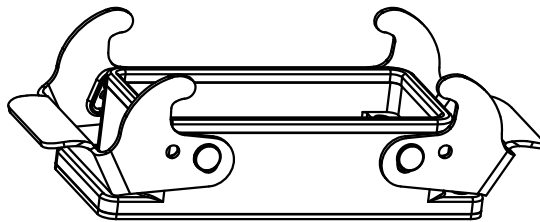
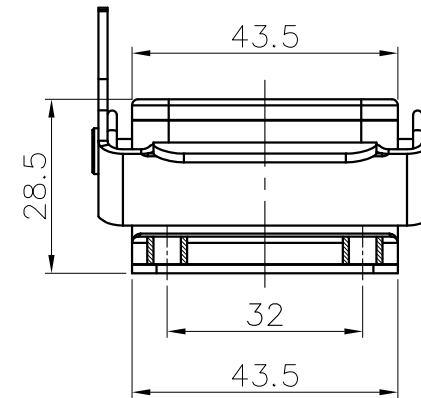
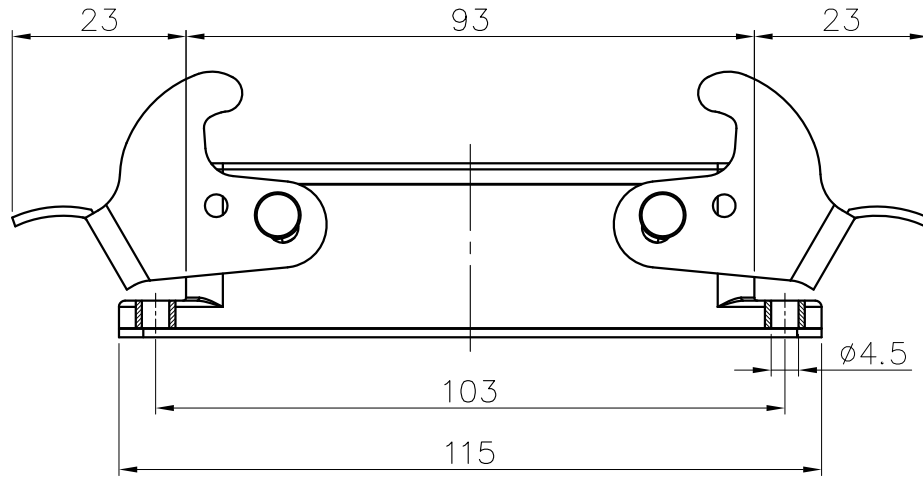




REVISION RECORD				
REV	ECN	DESCRIPTION	DRFT	DATE



Panel cut out

Housings Feature

1. Material: Aluminium die-cast
2. Color: grey(RAL 7037)
3. Lever type: Lever
4. Material: Metal zinc-plated
5. Limiting temperatures:  $-40^{\circ}\text{C} \sim +125^{\circ}\text{C}$
6. Sealing: NBR
7. Flammability acc to UL94: V0
8. Degree of protection acc.to EN60529 for coupled connector: IP65
9. Rohs Compliance

DETACHED LISTS	PART NO.:	/			 宁波高松电子有限公司 NINGBO DEGSON ELECTRICAL CO., LTD
	APPD:	NAME:			
	CHKD:	D16B-BK-2L			
	DRFT: WYM 2016/07/29	TITLE: CUSTOMER DRAWING	REV	D0-1	
	 THIRD ANGLE PROJECTION	DRAWING NO.: D16B-BK-2L-E01	SHEET	1/1	
	MM (INCH)	DO NOT SCALE DRAWING	SCALE		