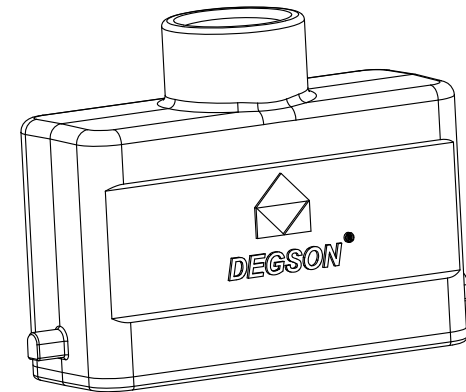
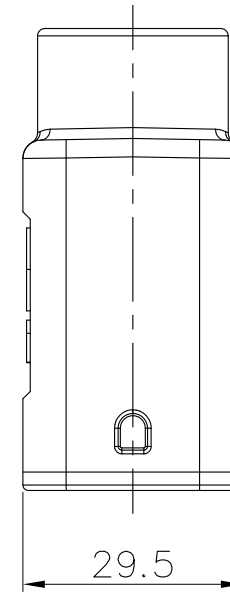
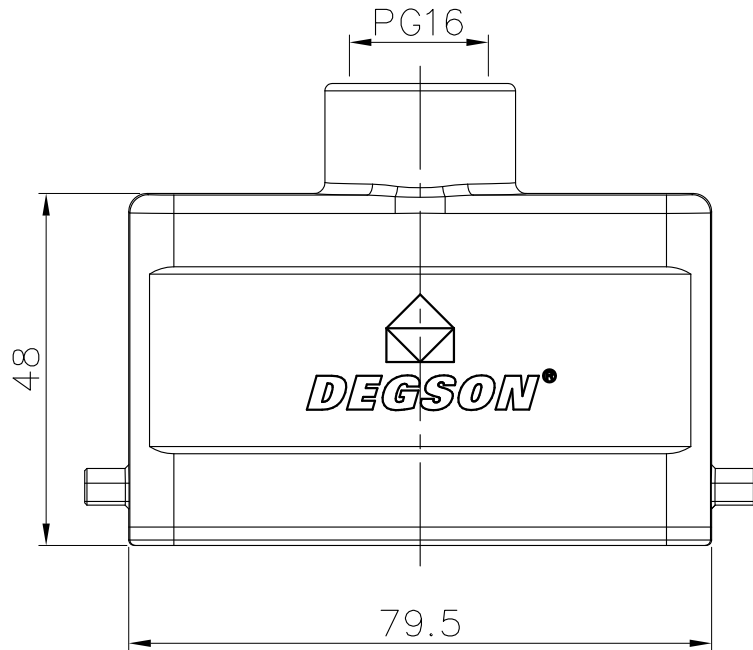

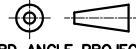


| REVISION RECORD | | | | |
|-----------------|-----|-------------|------|------|
| REV | ECN | DESCRIPTION | DRFT | DATE |
| | | | | |



Hoods Feature

- 1.Material: Aluminium die-cast
- 2.Color: grey(RAL 7037)
- 3.Limiting temperatures: -40℃~+125℃
- 4.Hoods sealing:NBR
- 5.Flammability acc to UL94: V0
- 6.Degree of protection acc.to EN60529 for coupled connector:IP65
- 7.Rohs Compliance

| | | | | | | |
|----------------|--|-----------------------|--------------|----------------------|---|------|
| DETACHED LISTS | PART NO.: | / | | |  宁波高松电子有限公司 NINGBO DEGSON ELECTRICAL CO., LTD | |
| | APPD: | NAME: D16A-TE-2g-PG16 | | | | |
| | CHKD: | DRFT: WYM 2016/07/29 | | | | |
| |  THIRD ANGLE PROJECTION | | DRAWING NO.: | D16A-TE-2g-PG16 | REV | D0-1 |
| | | | MM (INCH) | DO NOT SCALE DRAWING | SHEET | 1/1 |

H
G
F
E
D
C
B
A

H
G
F
E
D
C
B
A