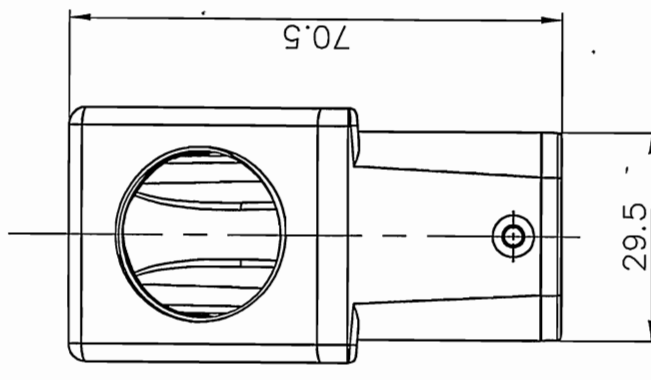
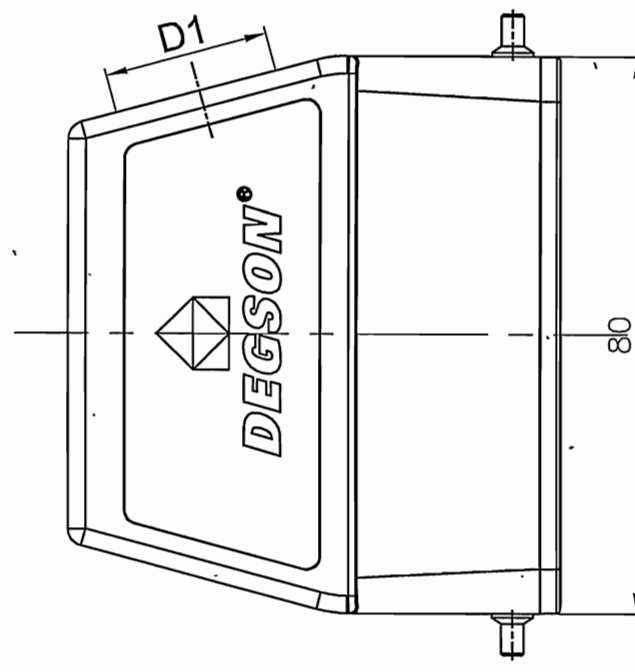
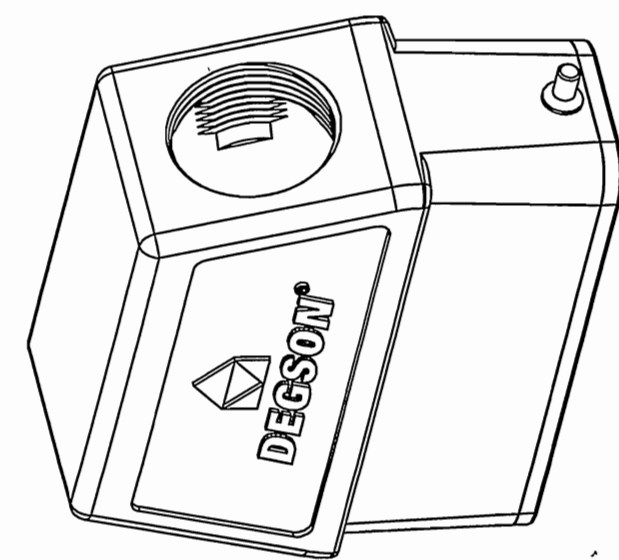


| TYPE             | Thread(D1) | Selection |
|------------------|------------|-----------|
| D16A-SEH-2g-M25  | M25        |           |
| D16A-SEH-2g-PG16 | PG16       |           |
| D16A-SEH-2g-PG21 | PG21       |           |

| REVISION RECORD |     |             |      |      |
|-----------------|-----|-------------|------|------|
| REV             | ECN | DESCRIPTION | DRFT | DATE |
|                 |     |             |      |      |



**Hoods Feature**

- 01. Material: Aluminium die-cast
- 02. Surface: Powder-coated
- 03. Color: gray (RAL 7037)
- 04. Limiting temperatures: -40°C ~ +125°C
- 05. Sealing: NBR
- 06. Flammability acc to UL94: V0
- 07. Degree of protection acc. to EN60529 for coupled connector: IP65
- 08. Rohs Compliance

|                        |               |                                   |                  |
|------------------------|---------------|-----------------------------------|------------------|
| PART NO:               |               | NINGBO DEGSON ELECTRICAL CO., LTD |                  |
| APPR:                  | HSS 2016.8.15 | NAME:                             | D16A-SEH-2g-M/PG |
| CHKD:                  | CHK 2016.8.1  | TITLE:                            | CUSTOMER DRAWING |
| DRFT:                  | Mr. yang      | DATE:                             | 2016.08.15       |
| DRAWING NO:            |               | REV:                              | DO-1             |
| THIRD ANGLE PROJECTION |               | SHEET:                            | 1/1              |
|                        |               | SCALE:                            | 1:1              |

DETACHED LISTS