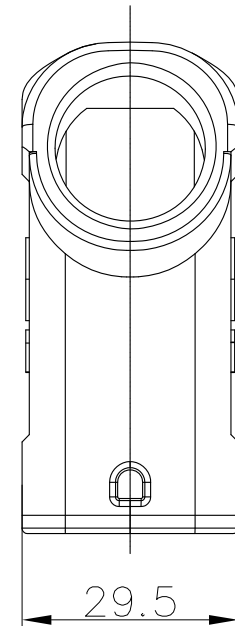
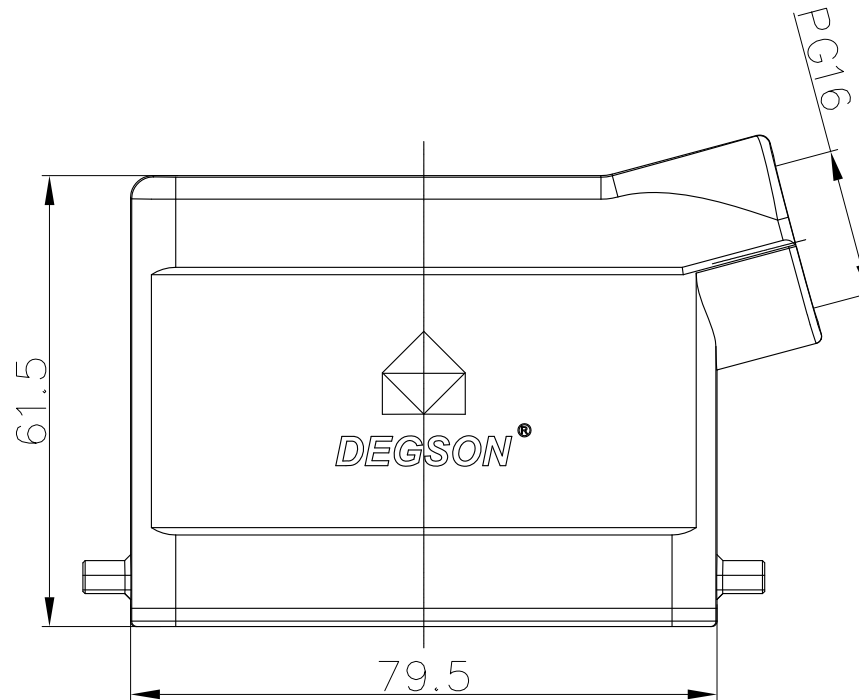
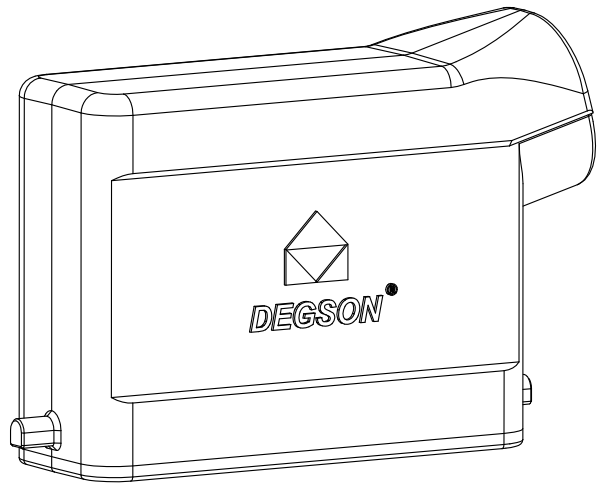


| REVISION RECORD | | | | |
|-----------------|-----|-------------|------|------|
| REV | ECN | DESCRIPTION | DRFT | DATE |
| | | | | |



Hoods Feature:

1. Material:Aluminium alloy
2. Color:grey(RAL 7037)
3. Seal:NBR
4. Limiting tepeatures::-40℃~+125℃
5. Flammability acc.to UL94:V0
6. Degree of protection acc.to EN60529 for coupled connector:IP65
7. Rohs Compliance

| | | | | | |
|------------------------|--------------------------|-------------------------|----------------------|-------|---|
| DETACHED LISTS | PART NO.: | / | | | 宁波高松电子有限公司 NINGBO DEGSON ELECTRICAL CO., LTD |
| | APPD: | NAME: | | | |
| | CHKD: | D16A-SE-2g-PG16 | | | |
| | DRFT: Mr.Yang 2016.08.08 | TITLE: CUSTOMER DRAWING | REV | DO | |
| THIRD ANGLE PROJECTION | | DRAWING NO.: | / | SHEET | 1/1 |
| | | MM (INCH) | DO NOT SCALE DRAWING | SCALE | |