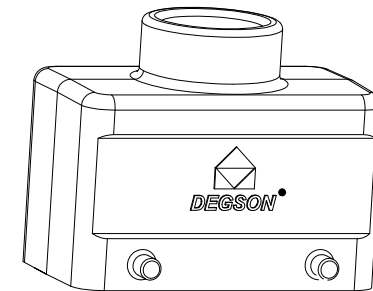
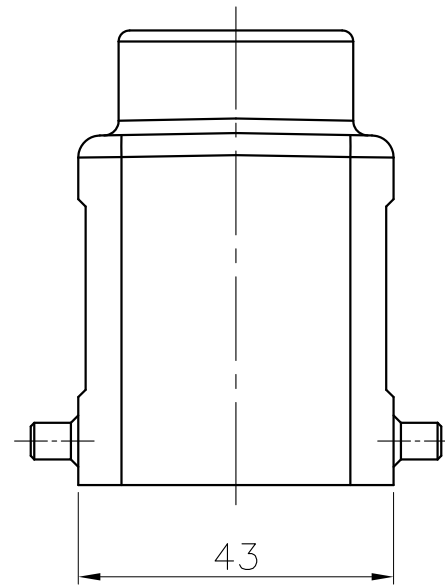
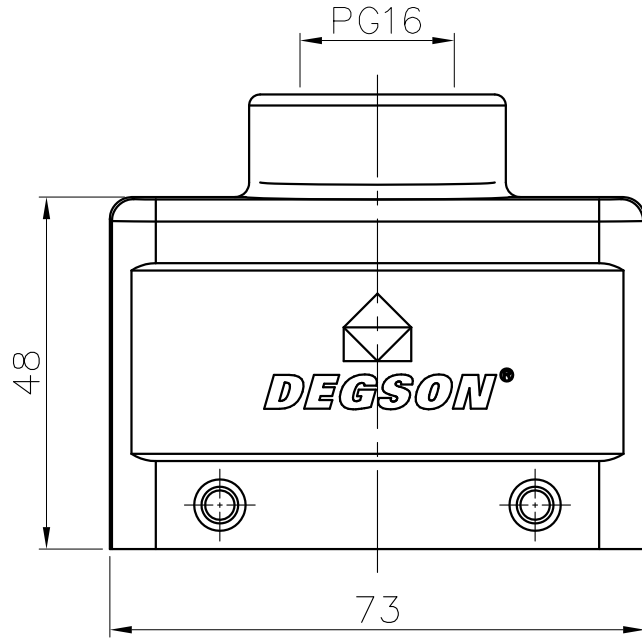


REVISION RECORD				
REV	ECN	DESCRIPTION	DRFT	DATE



Hoods Feature

1. Material: Aluminium die-cast
2. Color: grey(RAL 7037)
3. Limiting temperatures: -40°C ~ +125°C
4. Flammability acc to UL94: V0
5. Degree of protection acc.to EN60529 for coupled connector: IP65
6. Rohs Compliance

DETACHED LISTS	PART NO.:	/		
	APPD:	NAME: 宁波高松电子有限公司 NINGBO DEGSON ELECTRICAL CO., LTD		
	CHKD:	D10B-TE-4g-PG16		
	DRFT: WYM 2016/07/29	TITLE: CUSTOMER DRAWING	REV	D0-1
 THIRD ANGLE PROJECTION		DRAWING NO.: D10B-TE-4g-PG16-E01	SHEET	1/1
		MM (INCH)	DO NOT SCALE DRAWING	SCALE