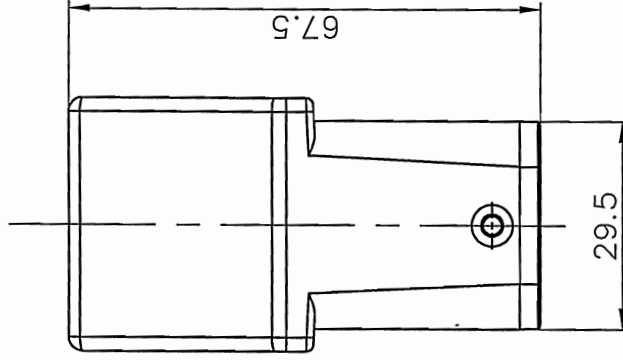
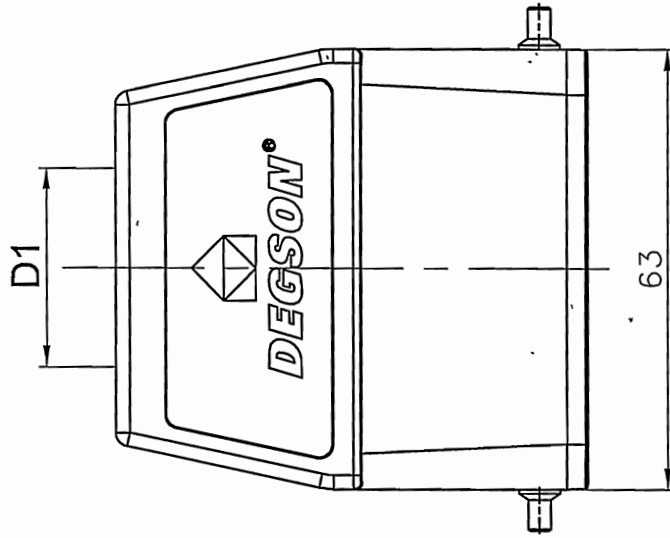
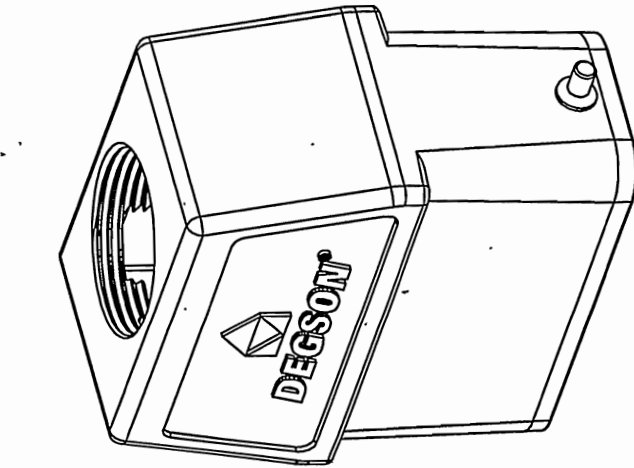


TYPE	Thread(D1) Selection
D10A-TEH-2g-M25	M25
D10A-TEH-2g-PG16	PG16
D10A-TEH-2g-PG21	PG21

REVISION RECORD				
REV	ECN	DESCRIPTION	DRFT	DATE



Hoods Feature

01. Material: Aluminium die-cast
02. Surface: Powder-coated
03. Color: grey (RAL 7037)
04. Limiting temperatures: -40°C ~ +125°C
05. Sealing: NBR
06. Flammability acc to UL94: V0
07. Degree of protection acc. to EN60529 for coupled connector: IP65
08. Rohs Compliance

PART NO:	DEGSON® NINGBO DEGSON ELECTRICAL CO., LTD
APPD:	MJS 2016.8.5
CHKD:	CHK 2016.8.1
DRFT:	Mr.yong 2016.08.15
NAME:	D10A-TEH-2g-M/PG
TITLE:	CUSTOMER DRAWING
DRAWING NO.:	REV DO-1
THIRD ANGLE PROJECTION	SHEET 1/1
DO NOT SCALE DRAWING	SCALE 1:1