


83132 / 83133 / 83134 Rear outputs 831330 Part number 83133035


Double break switching
 Choice of actuators for symmetrical mounting
 Options for operation in stable positions

	Type	Function	Connections
83133035	Rear outputs 831330	I (changeover)	W2
MADE TO ORDER	Rear outputs 831330	I (changeover)	X1

Electrical characteristics

Rating nominal / 250 V (A)	5
Rating thermal / 250 V (A)	11
Mechanical characteristics	
Maximum operating force (N)	1,6
Min. Release force (N)	0,4
Max. permitted overtravel force (N)	10
Maximum rest position (mm)	8,45
Operating position (mm)	7,7 ^{±0,2}
Maximum differential travel (mm)	0,45
Min. overtravel (mm)	0,27
Ambient operating temperature (°C)	-20 → +125
Mechanical life (operations)	10 ⁷
Contact gap (mm)	0,3 x 2
Weight (g)	1,8

Additional specifications
Components
Material

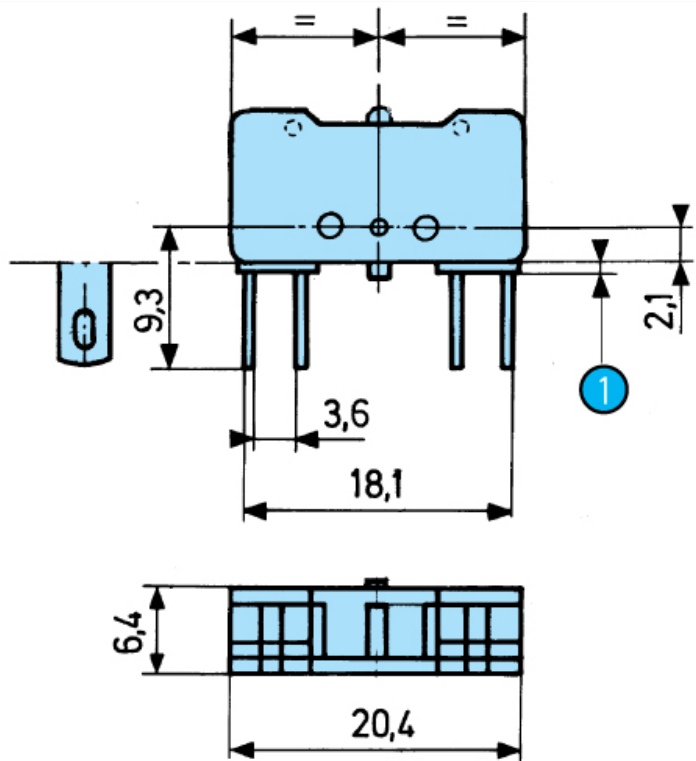
- Case : glass-filled polyamide
- Contacts : silver
- Cupro-nickel terminals

Lever

- Flat : stainless steel
- Roller : polyamide

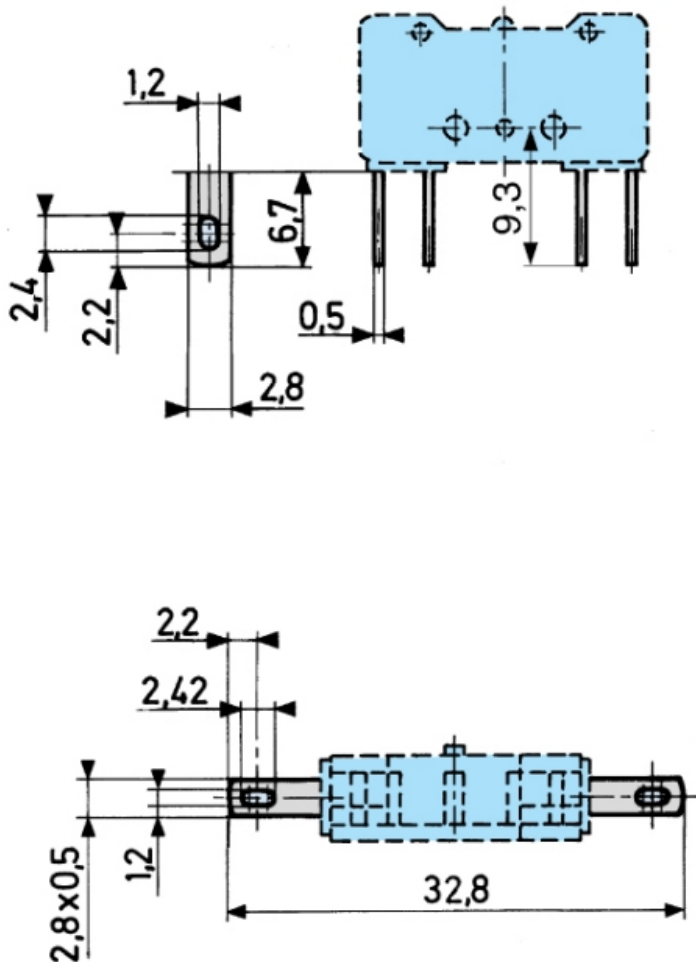
Accessories : stainless steel

Dimension Diagram : 831330

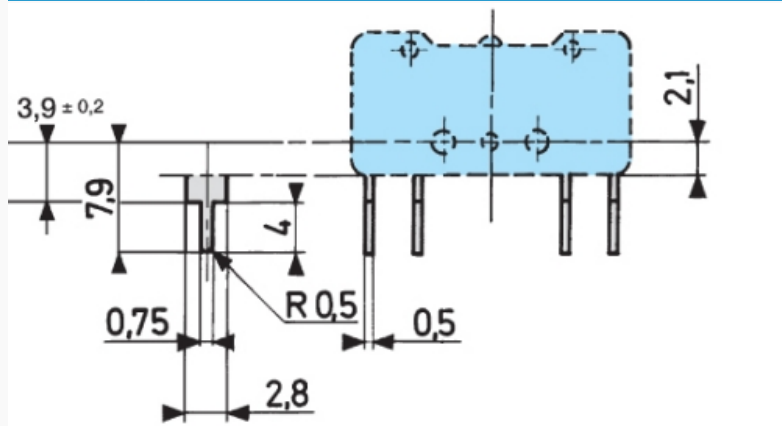


N°	Legend
1	2 plates 0.8

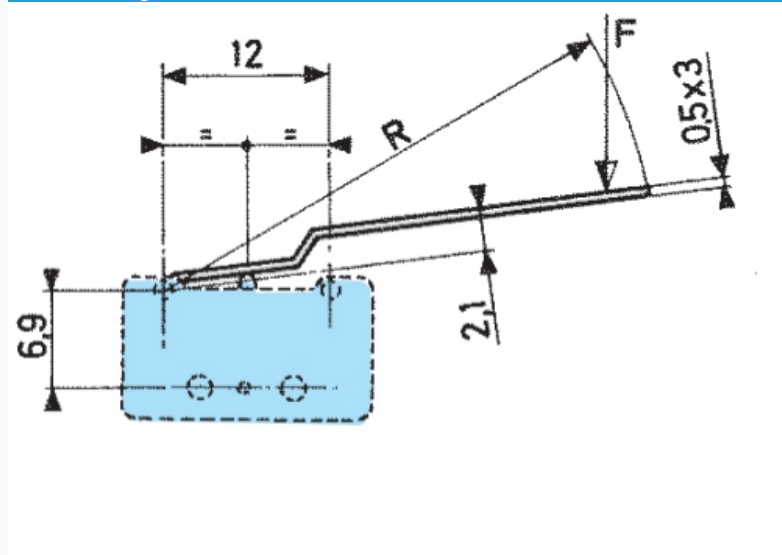
Dimension Diagram : W2 solder (83132/83133) tags can accept faston clips 2.8 x 0.5 mm



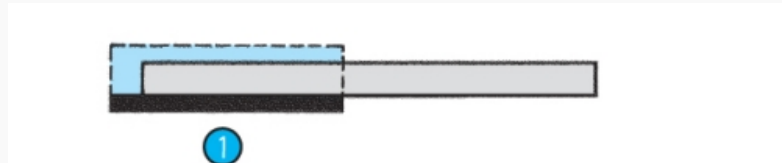
Dimension Diagram : X1 for printed circuit boards (83132 - 83133)



Dimension Diagram : 54A

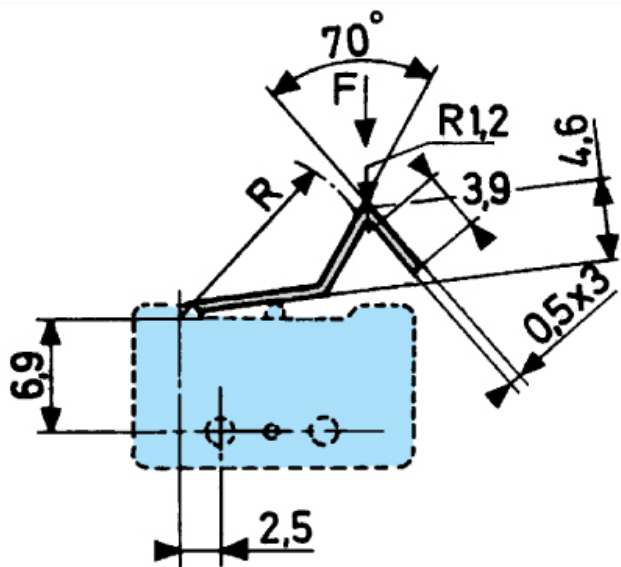


Dimension Diagram : For 831320 and 831330

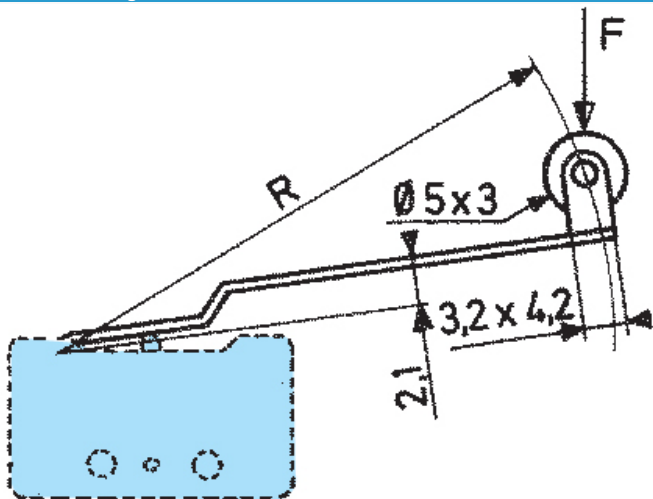


N°	Legend
1	Cover

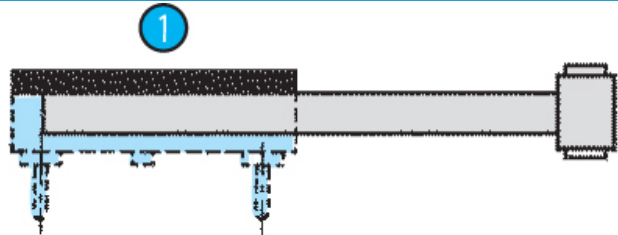
Dimension Diagram : 54B



Dimension Diagram : 54E

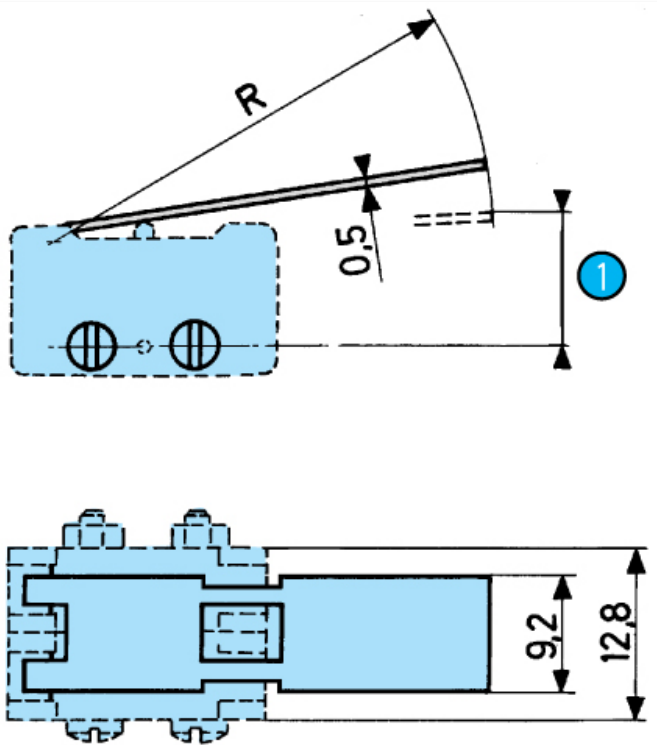


Dimension Diagram : For 831340



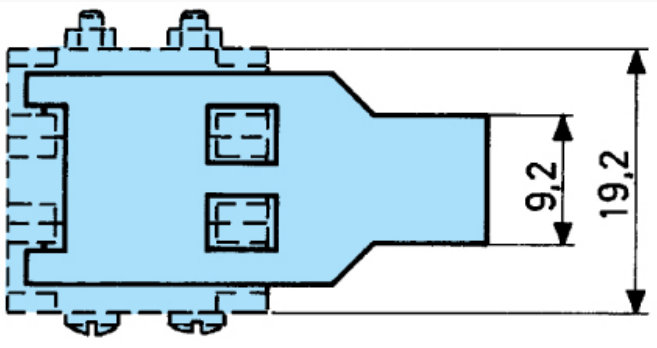
N°	Legend
1	Cover

Dimension Diagram : 54A2



N°	Legend
1	Tripping point

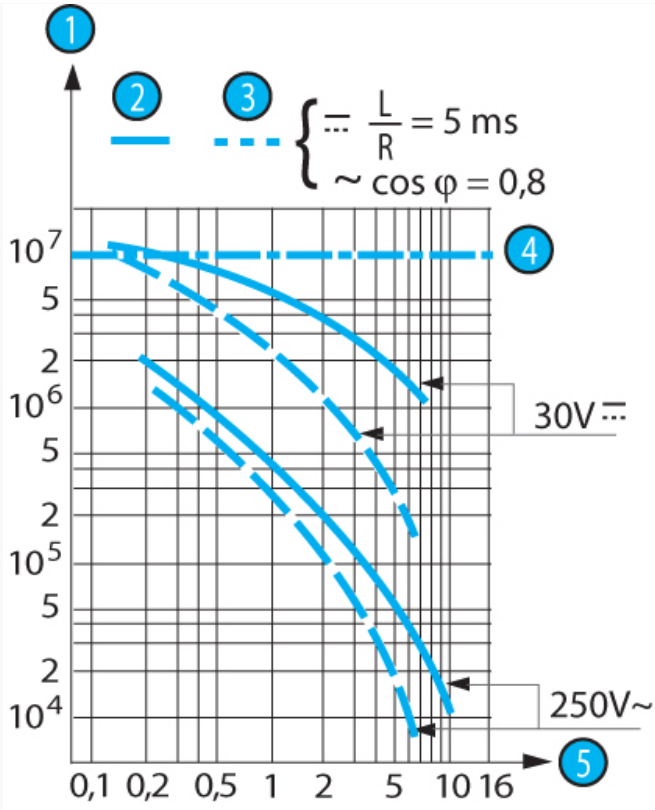
Dimension Diagram : 54A3



: Double break changeover switch



Curves : Operating curve for types 831320 - 831330 - 831340



N°	Legend
1	Number of cycles
2	Resistive circuit
3	Inductive circuit
4	Mechanical life limit
5	Current in Amps

Part numbers for standard actuators		70 514 175	70 514 194	70 514 181	70 514 182
Actuators		Plain 54A R14.75 	Plain 54A R35.75 	Tip-mounted in-line roller 54E R7.5 	Tip-mounted in-line roller 54E R14.1
		83 132 0 83 133 0 83 134 0	83 132 0 83 133 0 83 134 0	83 132 0 83 133 0 83 134 0	83 132 0 83 133 0 83 134 0
Tripping point		9,5 ^{min} 9,2 ^{max}	10 ^{min} 9,7 ^{max}	14,2 ^{min} 13,9 ^{max}	15,5 ^{min} 15,2 ^{max}
Operating force max.	N	0,8	0,34	1,6	0,8
Release force min.	N	0,16	0,06	0,32	0,17
Pre-travel max.	mm	2,15	5,15	1,1	2,05
Differential travel	mm	1 ^{min}	2,1 ^{max}	0,5 ^{min}	0,95 ^{min}
Total travel max.	mm	2,8	6,8	1,45	1,45
Actuators		54B R13.17 	2-pole 54A2 R30 	3-pole 54A3 R30 	Side fixing plate (0.4 mm thick) 54Y
		83 132 0 83 133 0 83 134 0	83 132 0 83 133 0 83 134 0	83 132 0 83 133 0 83 134 0	
Tripping point		12,7 ^{min} 12,4 ^{max}	8,8 ^{max}	8,8 ^{max}	
Operating force max.	N	0,85	0,8	1,2	
Release force min.	N	0,18	0,16	0,24	
Pre-travel max.	mm	2,05	4,3	4,3	
Differential travel	mm	0,95 ^{min}	2 ^{max}	2 ^{max}	
Total travel max.	mm	2,7	5,75	5,75	

Unless mentioned specifically, the levers are mounted in the position illustrated on the dimension diagrams (standard mounting). We recommend that these levers are assembled in our workshops.

Special adaptations

- Special levers
- Reinforced spring
- Approvals : UL - cUL