

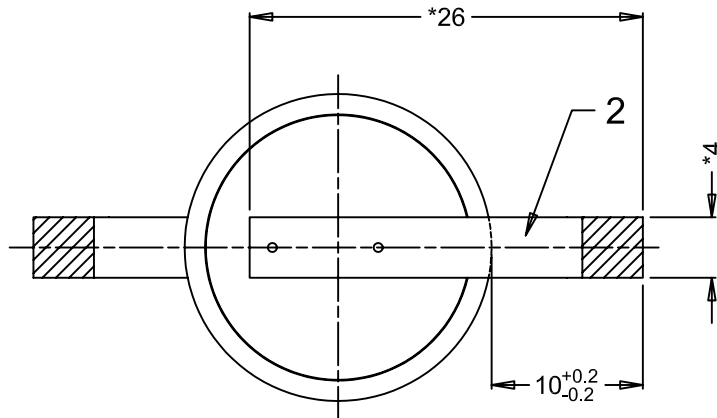
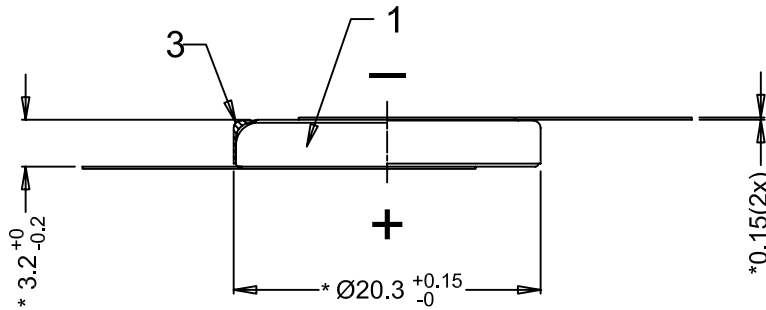
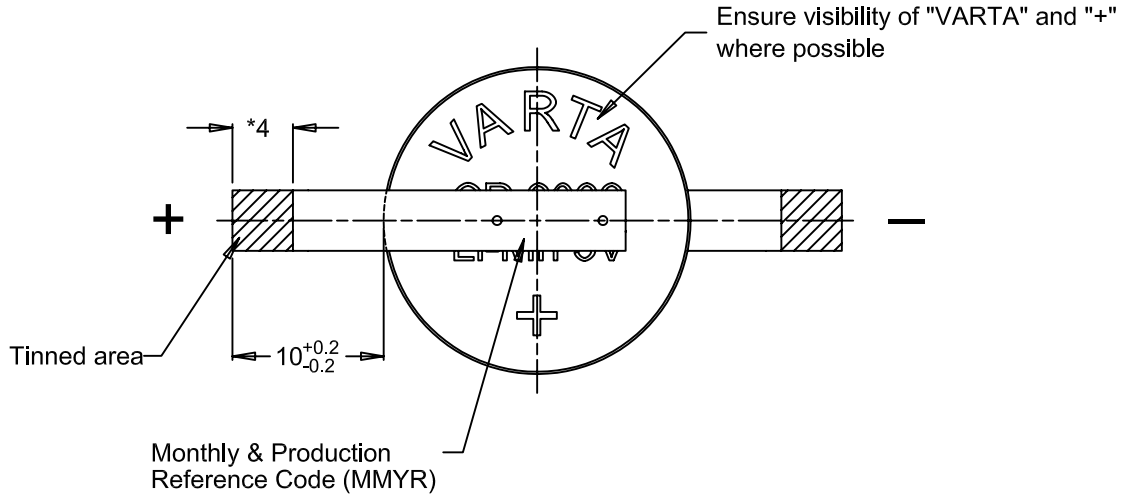
VARTA Microbattery

mobility for you

This is a controlled document.

Hardcopy to be endorsed by authorized person.

Check with Issuing Office or SAP system for latest update.



Note: * Dimensions for reference only

Approx. wt: 3 g

4	R194/06	Tin plating area of tag change to 4mm was 5mm	2006-11-10	TitisWS	
3	C082/06	Change tags	2006-09-18	Ratna	
2	C010/06	Move the "VARTA" and "+"	2006-01-20	Ida	
1	R113/04	Add date code MMYR to identification the laser machine	2004-12-22	Ratna	
No	AO No	Revisions	1	Date	Name

Projection:		Material: Refer to part list no: 004750		Description: 3V CR2032 LF with casing and solder tags	
Dimensions in mm		Prepared & Checked 2000-07-01 TitisWS		Verified & Approved	
Tolerance: As specified		Scale: 2 : 1		Dwg. No: 004750	
				VKB Order No: 06032 301 501	

Rights reserved to make technical changes, as a result of further development, without notice. This drawing is the property of VARTA Microbattery and must not be copied or disclosed to a third party without the written consent of VARTA Microbattery.

