



U/UTP Patch Cable Cat.6 EconLine

Technical Features

Category 6

AWG 24 CCA

According to the standards: EIA/TIA 568 B.2

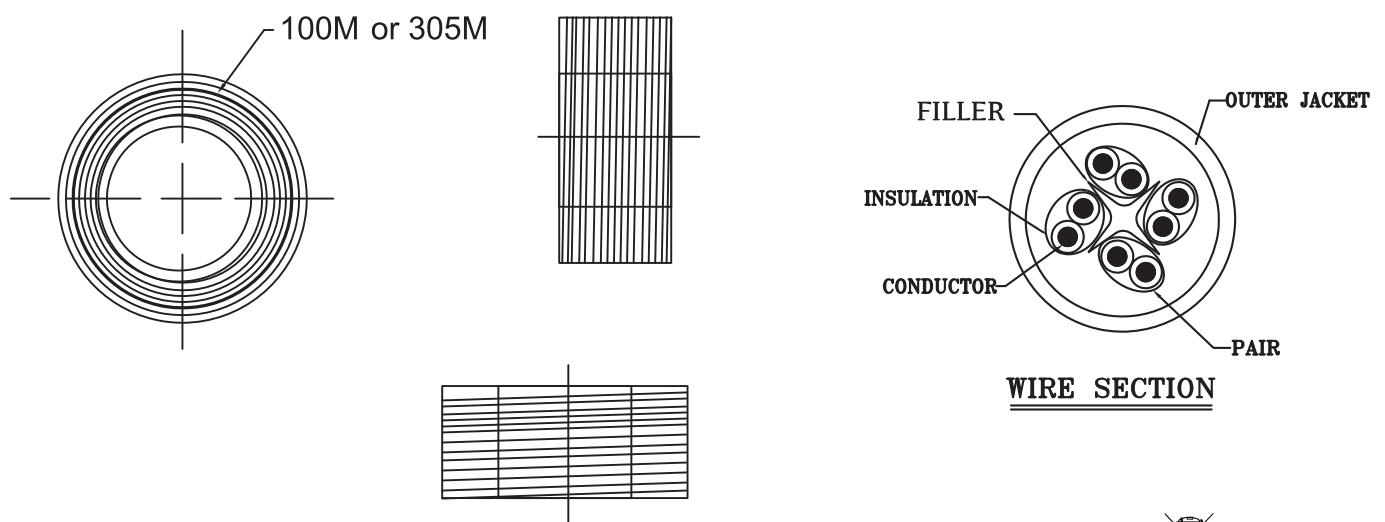
EN 50173-1, ISO/IEC 11801

Unshielded

PVC Jacket

Grey

Technical Drawings



www.logilink.com



RoHS
compliant



Made in China

* The specifications and pictures are subject to change without notice.
*All trade names referenced are the registered namework of their respective owners.

| Length | Art no. | EAN Code |
|--------|---------|---------------|
| 100 m | CPV0035 | 4052792006117 |
| 305 m | CPV0036 | 4052792006124 |

Package Contents

U/UTP Patch Cable Cat.6 EconLine x 1

Packaging Information(CPV0035)

| | |
|-------------------|-------------------|
| Packing Dimension | 260 x 260 x 100mm |
| Packing Weight | 2.8kg |
| Carton Dimension | 540 x 280 x 320mm |
| Carton Q'ty | 6pcs |
| Carton Weight | 17.5kg |

Packaging Information(CPV0036)

| | |
|-------------------|-------------------|
| Packing Dimension | 390 x 390 x 220mm |
| Packing Weight | 8.3kg |
| Carton Dimension | 475 x 400 x 400mm |
| Carton Q'ty | 2pcs |
| Carton Weight | 19kg |

