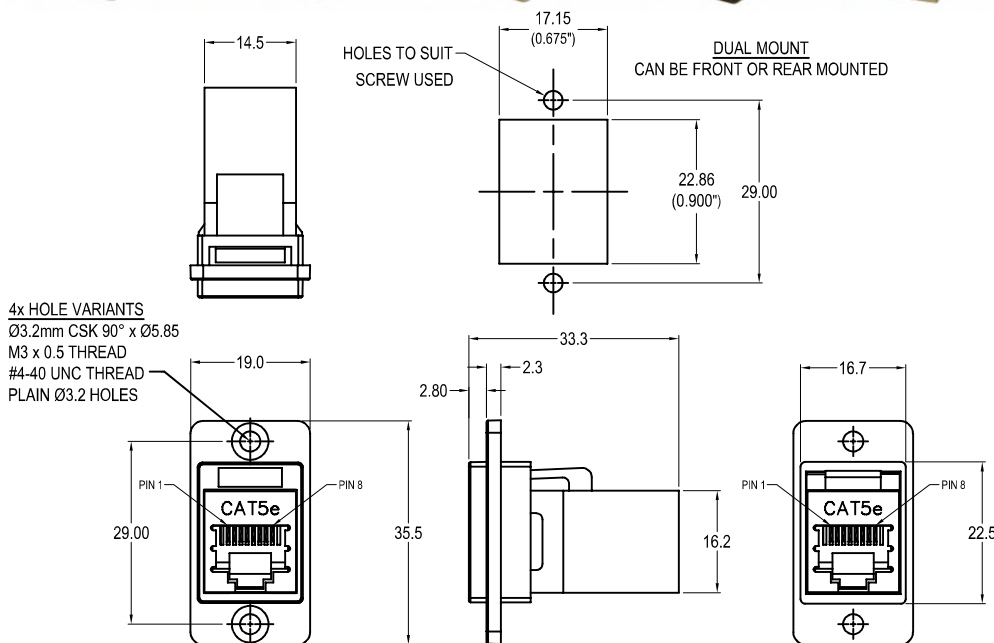


CLIFF

DUALSLIM CAT5e RJ45 SHIELDED METAL FRAME FEEDTHROUGH CONNECTOR

Can be front or rear mounted in the panel



4x HOLE VARIANTS
 Ø3.2mm CSK 90° x Ø5.85
 M3 x 0.5 THREAD
 #4-40 UNC THREAD
 PLAIN Ø3.2 HOLES

VARIANTS

Part No.

CP30720SM	DUALSLIM Cat5e RJ45 Shielded Nickel frame, CSK holes
CP30720SMB	DUALSLIM Cat5e RJ45 Shielded Black metal frame, CSK holes
CP30720SM3	DUALSLIM Cat5e RJ45 Shielded Nickel frame, M3 holes
CP30720SMB3	DUALSLIM Cat5e RJ45 Shielded Black metal frame, M3 holes
CP30720SM440	DUALSLIM Cat5e RJ45 Shielded Nickel frame, #4-40 holes
CP30720SMB440	DUALSLIM Cat5e RJ45 Shielded Black metal frame, #4-40 holes
CP30720SMX1	DUALSLIM Cat5e RJ45 Shielded Nickel frame, Ø3.2 PLAIN holes
CP30720SMBX1	DUALSLIM Cat5e RJ45 Shielded Black metal frame, Ø3.2 PLAIN holes

Feedthrough Features

- Fits standard rectangular cutout.
- Front or rear mounting through the panel.
- Various hole mounting options.
- No soldering or punch termination. Use standard cable for each connector style.
- Low rear profile.

General:

Please note: Functionality is affected by cable quality, length and cable wiring configuration.

Material:

- 1.RJ45 In-Line Coupler:
PC/ABS, UL 94V-0
- 2.RJ45 In-Line Coupler Contact:
Phosphor Bronze, 3-50 micro inches gold plating over nickel plate.
- 3.PCB: FR4, UL 94V-0
- 4.Frame: Diecast, Nickel or Black plated

Performance:

- 1.T568A & T568B wiring.
- 2.Meet ISO/IEC 11801 and EN50173
- 3.Meet ANSI/TIA/EIA 568B.2
- 4.Operating temperature: Min -10°C Max +70°C