

COMMON MODE CHOKE FOR DATA & SIGNAL LINES



MODEL NO : CMDC-09250 HF SERIES

Features :

- * SMD version .
- * Excellent frequency characteristics in small package .
- * Compliant with RoHS & halogen free .

Application :

- * Automotive.
- * Industrial products .
- * Rated voltage 42V AC / 80V DC .
- * 500Vrms for 2 seconds isolation between winding and winding .

Electrical Specification :

PART NO	INDUCTANCE (μ H) (NOTE 1)	LEAKAGE INDUCTANCE (nH) typ (NOTE 2)	DCR (Ω) MAX.	RATED CURRENT (A) MAX (NOTE 3)	Zmax (Ω) TYP.	Winding style
CMDC-9260-10	10 \pm 30%	55	0.08	1.6	920	Bifilar
CMDC-9260-25	25 \pm 30%	60	0.16	1.0	2800	Bifilar
CMDC-9260-40	40 \pm 30%	80	0.25	0.9	3100	Bifilar
CMDC-9260-50	50 \pm 30%	85	0.32	0.8	5500	Bifilar
CMDC-9260-250	250 \pm 50%	60	0.13	1.2	1800	Bifilar
CMDC-9260-500	500 \pm 50%	75	0.15	1.0	3300	Bifilar
CMDC-9260-1000	1000 \pm 50%	90	0.31	0.8	6000	Bifilar
CMDC-9260-2000	2000 \pm 50%	130	0.42	0.6	9200	Bifilar
CMDC-9260-4700	4700 \pm 50%	180	0.90	0.4	20000	Bifilar
CMDC-9260-6500	6500 \pm 50%	280	1.05	0.3	18400	Bifilar

NOTE(1) : Measuring condition : 10uH – 50uH : 1KHz , 0.1 Vrms ., 250uH –6500uH :100 KHz ,5 mVrms.

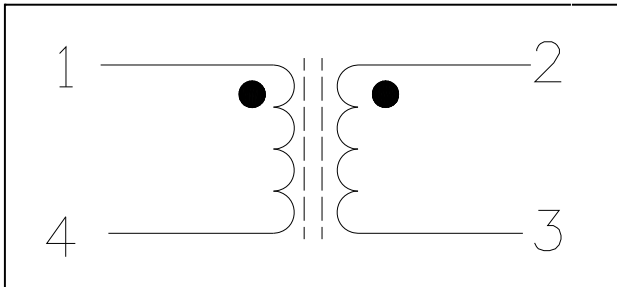
NOTE(2) : Measuring condition : 1 MHz,0.1 Vrms .

NOTE(3) : Δ T =45°C approximately under the rated current.

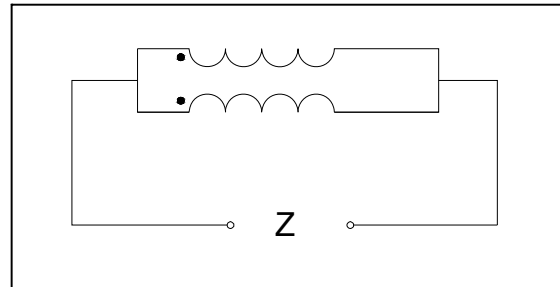
NOTE(4) : Operating temperature : -40°C ~ +105°C.

(Including self-heat generation by turning the electricity)

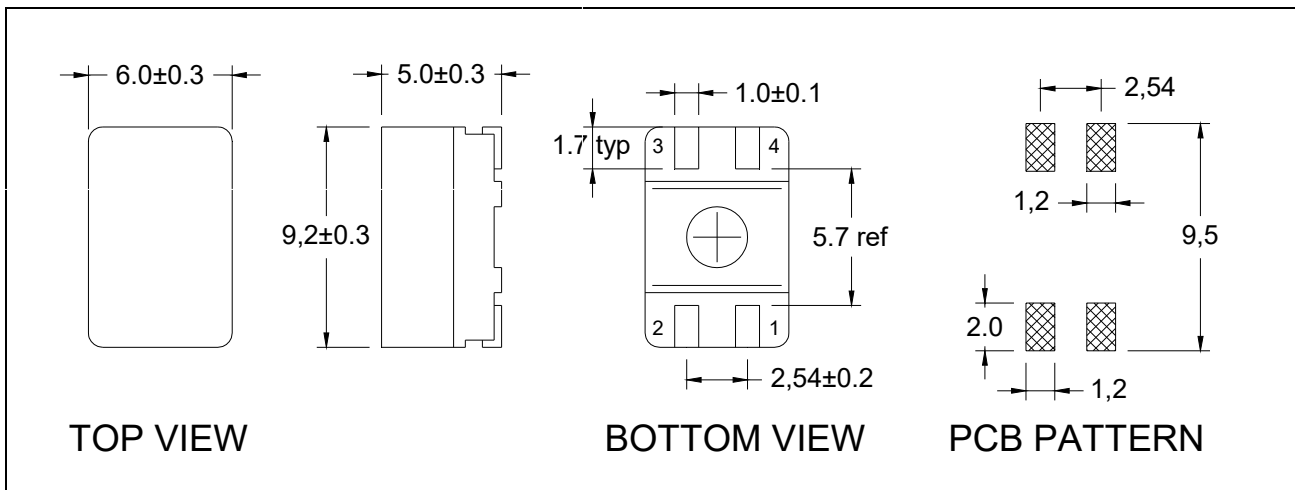
Schematic :



Test setup:



Physical Dimension : (unit :mm)



PACKAGING SPEC:

1. REEL SIZE & UNITS PER REEL : 13", 1000PCS.
2. TAPE WIDTH: 16mm.
3. REEL WIDTH: 22.4mm.
4. COMPONENT PITCH: 12mm
5. Unit weight : 0.42 g typ / pcs .
6. Outer carton : 40 cm x 40 cm x 24 cm , 8.0 kg / 6000 pcs .