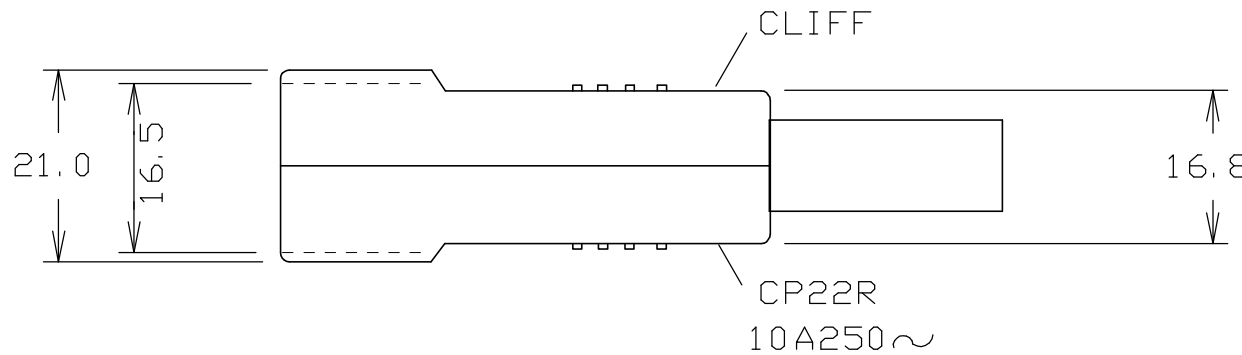
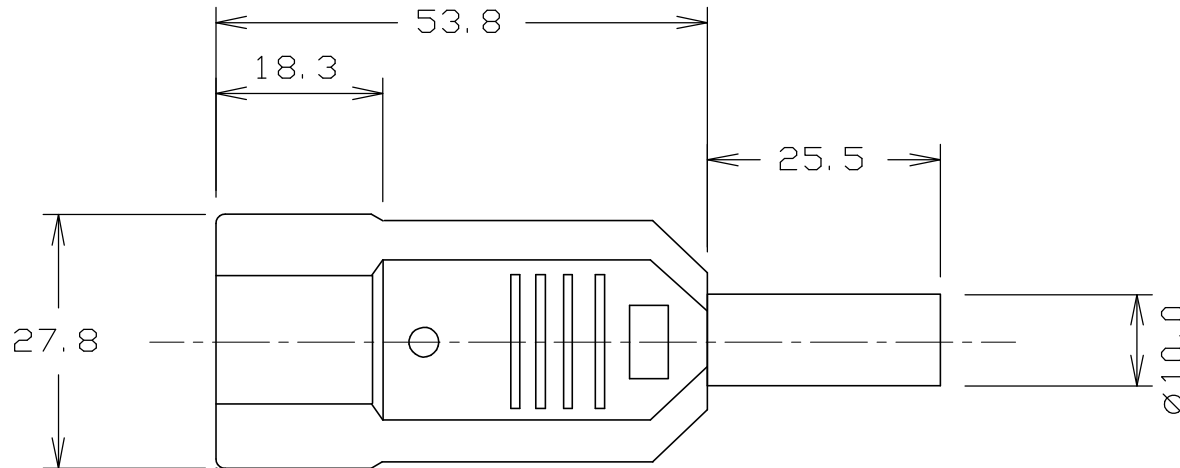
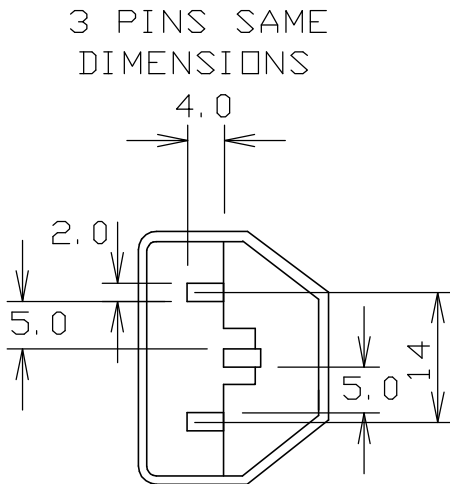
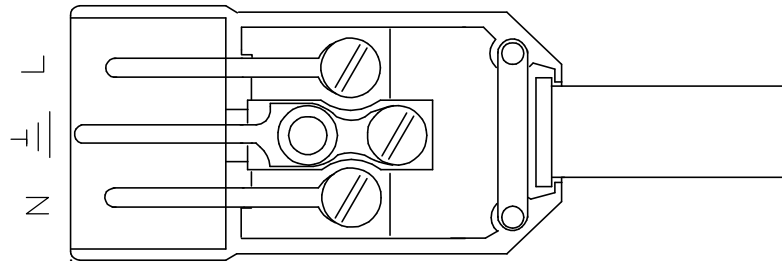


ISS.	AMEND	DATE
1	REDRAWN	5/6/90



RoHS
COMPLIANT

Tolerance
 NO DEC. PLACE ± 0.25
 1 DEC. PLACE ± 0.15
 2 DEC. PLACE ± 0.10
 DIA. HOLES ± 0.10
 ANGLES ± 1/2°
 UNLESS OTHERWISE STATED

WHERE USED F.R.
 SCALE N.T.S.

DIMENSIONS IN MILLIMETERS UNLESS OTHERWISE STATED. WORK TO DIMENSIONS. DO NOT SCALE DRAWING. 3rd ANGLE PROJECTION. REMOVE BURRS. IF IN DOUBT ASK.

Cliff Electronic Components Limited
 76 Holmethorpe Ave., Holmethorpe Ind. Estate,
 Redhill, Surrey, RH1 2PF, England
 Tel: 01737-771375 Fax: 01737-766012

MATERIAL POLYAMIDE A28GM / BRASS
 FINISH AS MOULDED / Ni PLATED
 DRAWN C.A.M.J. APPD. RWT

TITLE IEC MALE PLUG CP22R

DRWG. No. **CL1919**

FORM: A4DRWGH