

**FM**design

# CFG.

## Hinges for profiles

Technopolymer



---

### Main specifications

#### Material

Glass-fibre reinforced polyamide based (PA) technopolymer, black or grey colour RAL 7040 (C33), matte finish.

#### Rotating pin

Nickel-plated steel.

#### Standard execution

Pass-through holes for M6 countersunk head screws.

#### Technopolymer centering inserts *(supplied)*

For profiles with slot dimensions from 6 to 12 mm.

---

### General information

#### Features and applications

This type of hinge can be used with aluminium profiles from 30 up to 60 mm, also combining different dimensions.

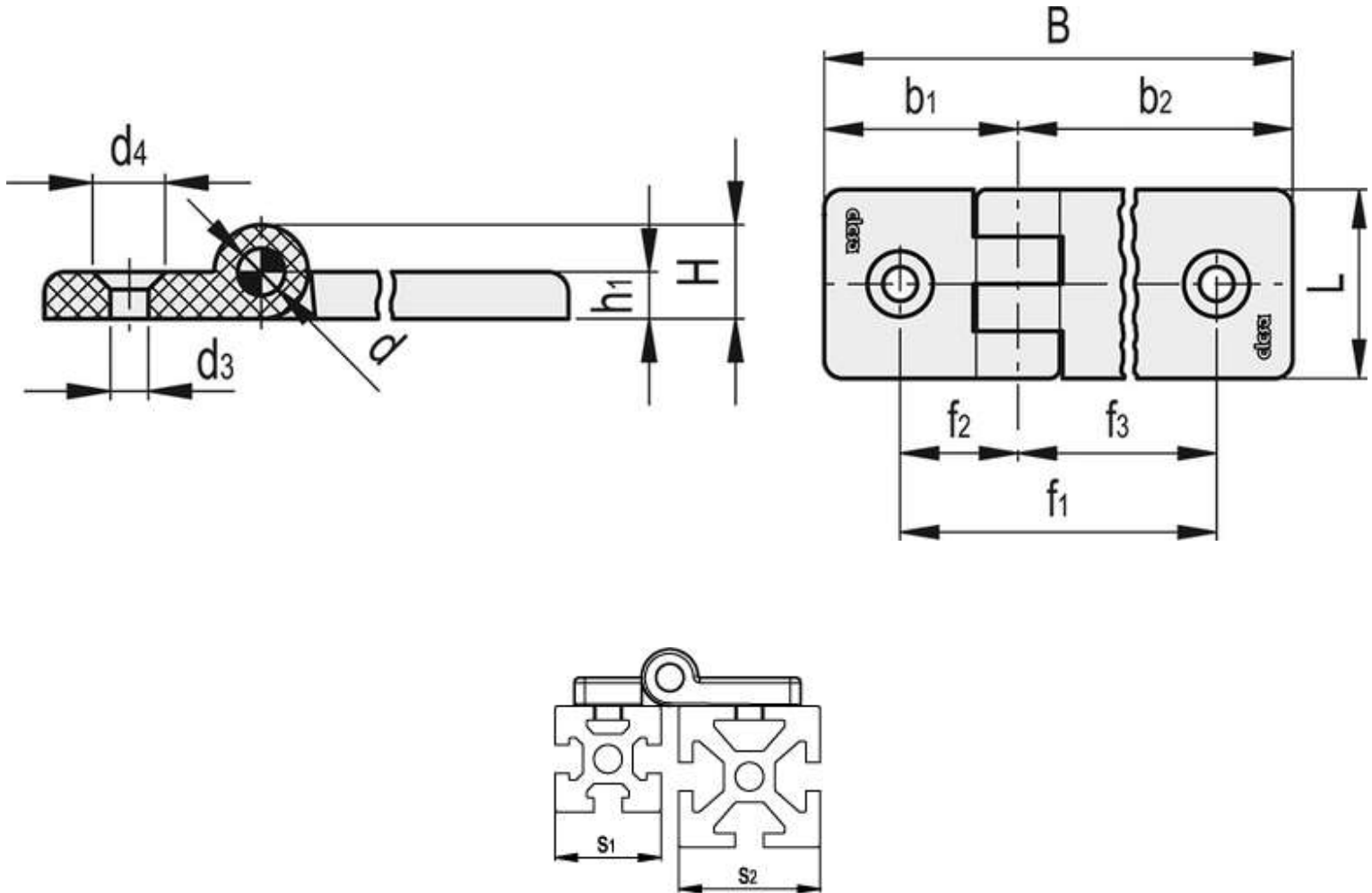
#### Rotation angle *(approximate value)*

Max 280° (-100° and +180° being 0° the condition where the two interconnected surfaces are on the same plane).

Do not exceed the rotation angle limit so as not to prejudice the hinge mechanical performance.

To choose the convenient type and the right number of hinges for your application, see the [Guidelines](#).

---



Black (RAL 9005) C9  
C33 C33

CFG.

Code	Description	s <sub>1</sub>	s <sub>2</sub>	L	B	f <sub>1</sub> ±0.25	f <sub>2</sub>	f <sub>3</sub>	H	h <sub>1</sub>	b <sub>1</sub>	b <sub>2</sub>	d	d <sub>3</sub>	d <sub>4</sub>	C# [Nm]	Weight
<b>423911</b>	CFG.30/30 SH-6	30	30	36	54	35	17.5	17.5	16	8	27	27	8	6.5	12.5	5	32
<b>423911-C33</b>	CFG.30/30 SH-6-C33	30	30	36	54	35	17.5	17.5	16	8	27	27	8	6.5	12.5	5	32
<b>423912</b>	CFG.30/40 SH-6	30	40	36	64	40	17.5	22.5	16	8	27	37	8	6.5	12.5	5	34
<b>423912-C33</b>	CFG.30/40 SH-6-C33	30	40	36	64	40	17.5	22.5	16	8	27	37	8	6.5	12.5	5	34
<b>423913</b>	CFG.30/45 SH-6	30	45	36	69	42.5	17.5	25	16	8	27	42	8	6.5	12.5	5	35
<b>423913-C33</b>	CFG.30/45 SH-6-C33	30	45	36	69	42.5	17.5	25	16	8	27	42	8	6.5	12.5	5	35
<b>423914</b>	CFG.30/60 SH-6	30	60	36	84	50	17.5	32.5	16	8	27	57	8	6.5	12.5	5	38
<b>423914-C33</b>	CFG.30/60 SH-6-C33	30	60	36	84	50	17.5	32.5	16	8	27	57	8	6.5	12.5	5	38
<b>423921</b>	CFG.40/40 SH-6	40	40	36	74	45	22.5	22.5	16	8	37	37	8	6.5	12.5	5	36
<b>423921-C33</b>	CFG.40/40 SH-6-C33	40	40	36	74	45	22.5	22.5	16	8	37	37	8	6.5	12.5	5	36
<b>423922</b>	CFG.40/45 SH-6	40	45	36	79	47.5	22.5	25	16	8	37	42	8	6.5	12.5	5	37
<b>423922-C33</b>	CFG.40/45 SH-6-C33	40	45	36	79	47.5	22.5	22.5	16	8	37	42	8	6.5	12.5	5	37
<b>423923</b>	CFG.40/60 SH-6	40	60	36	94	55	22.5	32.5	16	8	37	57	8	6.5	12.5	5	40
<b>423923-C33</b>	CFG.40/60 SH-6-C33	40	60	36	94	55	22.5	32.5	16	8	37	57	8	6.5	12.5	5	40
<b>423931</b>	CFG.45/45 SH-6	45	45	36	84	50	25	25	16	8	42	42	8	6.5	12.5	5	38
<b>423931-C33</b>	CFG.45/45 SH-6-C33	45	45	36	84	50	25	25	16	8	42	42	8	6.5	12.5	5	38
<b>423932</b>	CFG.45/60 SH-6	45	60	36	99	57.5	25	32.5	16	8	42	57	8	6.5	12.5	5	41
<b>423932-C33</b>	CFG.45/60 SH-6-C33	45	60	36	99	57.5	25	32.5	16	8	42	57	8	6.5	12.5	5	41
<b>423941</b>	CFG.60/60 SH-6	60	60	36	114	65	32.5	32.5	16	8	57	57	8	6.5	12.5	5	45
<b>423941-C33</b>	CFG.60/60 SH-6-C33	60	60	36	114	65	32.5	32.5	16	8	57	57	8	6.5	12.5	5	45

# Suggested tightening torque for assembly screws.