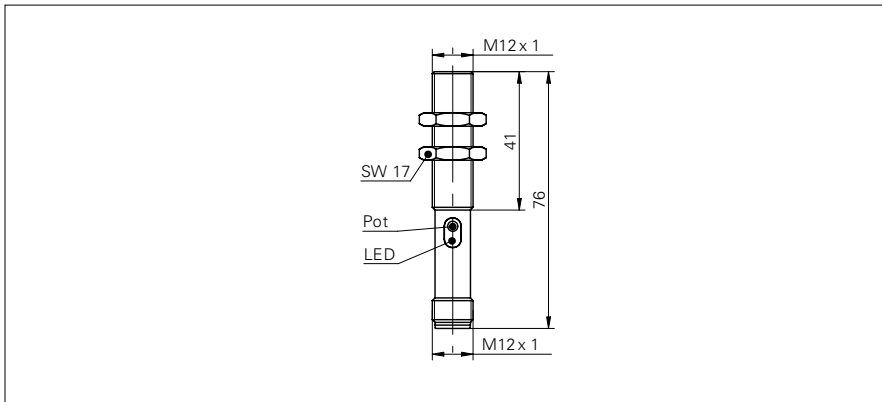


Capacitive proximity sensors

CFAM 12N1600/S14

dimension drawing



general data

nominal sensing distance S_n	4 mm
nominal sensing distance S_n adjustable	0,5 ... 4 mm
mounting type	flush
GND electrode	yes
temperature drift	$\pm 15\%$ (+10 ... +70 °C)
sensitivity adjustment	potentiometer, 240°
output indicator	LED yellow

electrical data

voltage supply range +Vs	10 ... 30 VDC
current consumption max. (no load)	20 mA
output circuit	NPN make function (NO)
output current	< 200 mA
voltage drop Vd	< 1,5 VDC
switching frequency	< 50 Hz
short circuit protection	yes
reverse polarity protection	yes

mechanical data

type	cylindrical threaded
housing material	brass nickel plated
dimension	12 mm
housing length	76 mm
connection types	connector M12

ambient conditions

operating temperature	-25 ... +75 °C
protection class	IP 65

field of application

detection of non-conductive media	yes
fill level detection through container	yes
liquids in direct contact	no
object detection / bulk goods	yes

photo



connection diagram

