



G Series Supercapacitors Product Bulletin

CAP-XX supercapacitors deliver outstanding power and energy performance in a number of footprints, configurations, voltage ratings and environmental specifications.

They are ideally suited to meet the peak power demands of pulsed loads in battery-powered electronics and many other consumer and industrial devices with a current-limited energy source.

Key benefits:

- Exceptional power density (~90kW/litre)
- High power to support large peak loads (low ESR)
- High energy to sustain long power surges (high C)
- Very low leakage current to extend battery life
- Low ESR rise rate to ensure a long operational life
- Environmentally friendly, RoHS compliant and lead-free
- Thin, prismatic packaging for space-constrained applications



RoHS compliant
Lead free



CAP-XX **G series** (General Purpose) supercapacitors are rated at either **4.5V** or **2.3V** and operate across a temperature range of **-40°C to +70°C**. The 4.5V dual cell devices are ideal for use with a lithium-ion battery pack, while the 2.3V single cell devices offer a very high power and high energy solution for lower voltage applications. The single cells can also be connected in series and mounted side by side to offer industrial designers the thinnest supercapacitor solution available. The G series is available in three footprints:

The **GS** range (39.0 x 17.0mm) delivers ultra-high performance in a cost-effective package, supporting both the peak power and interim power demands of the most demanding electronic products, in which high C, low ESR and a long life are essential to meet performance targets.

GW products (28.5 x 17.0mm) offer a more compact solution for handheld devices such as PDAs and small electronic products like PCMCIA and ExpressCard 54 modems, while still delivering outstanding power and energy performance.

The ultra-small **GZ** series (20.0 x 15.0mm) offers best-in-class performance despite their diminutive size. They are ideal for use in the latest USB and ExpressCard 34 modems, in which they meet the peak power requirements of Class 12 GPRS radio frequency communication with minimal voltage ripple and low source current loads.



Reduce voltage drops and DC/DC requirements in consumer and industrial devices

Extend battery life, battery run-time and stand-by time, particularly at low temperatures

Protect against voltage transients (e.g., drop test) and short-term interruptions (e.g., last gasp, hot-swap, etc.)

Solve the current limitations of USB, PCI, PCMCIA & CF ports, and of long-life batteries, fuel cells, solar cells, etc.



G Series Supercapacitors

G Series Supercapacitors - Product Specifications

Operating Voltage	Body Size	Product Name	Capacitance ¹ (± 20%) ²	ESR ¹ (± 20%) ²	Maximum Thickness
4.5V nominal (5.0V Maximum)	20.0 x 15.0mm	GZ 215F	75 mF	150 mΩ	2.60 mm
	20.0 x 18.0mm	GA 209F	80mF	130mΩ	2.20mm
	28.5 x 17.0mm	GW 209F	140 mF	70 mΩ	2.20 mm
		GW 202F	220 mF	50 mΩ	3.00 mm
		GW 201F	350 mF	70 mΩ	2.50 mm
		GW 207F	450 mF	55 mΩ	3.00 mm
		GW 203F	550 mF	50 mΩ	3.50 mm
	39.0 x 17.0mm	GS 203F	250 mF	45 mΩ	2.20 mm
		GS 211F	370 mF	28 mΩ	3.00 mm
		GS 206F	600 mF	40 mΩ	2.50 mm
		GS 208F	900 mF	28 mΩ	3.50 mm
		GS 230F	1200 mF	28 mΩ	3.80 mm
2.3V nominal (2.5V Maximum)	20.0 x 15.0mm	GZ 115F	150 mF	75 mΩ	1.25 mm
	20.0 x 18.0mm	GA 109F	160mF	65mΩ	1.10mm
	28.5 x 17.0mm	GW 109F	280 mF	36 mΩ	1.10 mm
		GW 102F	440 mF	26 mΩ	1.45 mm
		GW 101F	700 mF	36 mΩ	1.20 mm
		GW 107F	900 mF	28 mΩ	1.45 mm
		GW 103F	1100 mF	26 mΩ	1.70 mm
	39.0 x 17.0mm	GS 103F	500 mF	22 mΩ	1.10 mm
		GS 111F	740 mF	14 mΩ	1.45 mm
		GS 106F	1200 mF	20 mΩ	1.20 mm
		GS 108F	1800 mF	14 mΩ	1.70 mm
		GS 130F	2400 mF	14 mΩ	1.85 mm

Parameter	Minimum	Nominal	Maximum
Operating Temp	-40°C	+25°C	+70°C
Storage Temp	-40°C	+25°C	+70°C
Leakage Current ³		1µA	2µA
Pulse Current	30A (single pulse. +ve & -ve terminal short circuited)		
ESR change with Temp	75% of nominal @ +70°C		150% of nominal @ -20°C

Notes

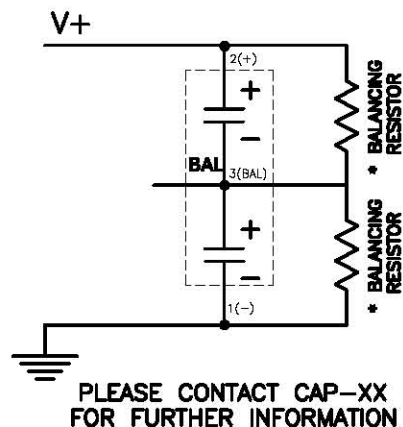
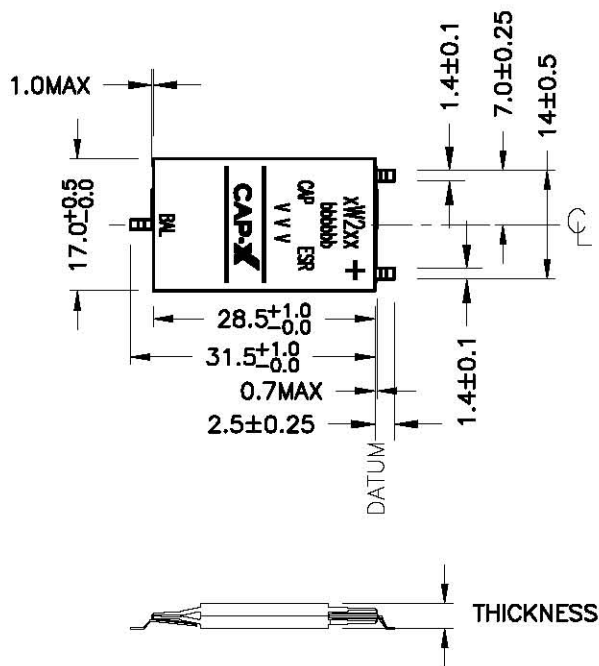
- Capacitance will decline and ESR will rise over time, at a rate which depends on both voltage and temperature. Operation at +70°C and 4.5V concurrently will shorten life and is not recommended for extended periods. Contact CAP-XX for more.
- DC capacitance and ESR tolerance are measured at +25°C
- Leakage current is measured after 72h at voltage at +25°C
- Single cell products are special order.

For more on CAP-XX products, go to www.cap-xx.com or contact us by email at sales@cap-xx.com.

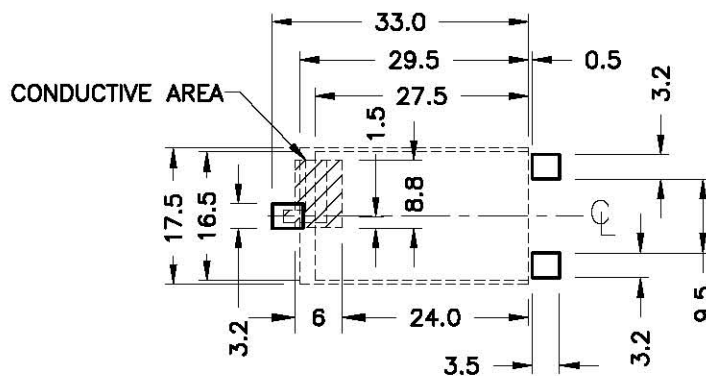
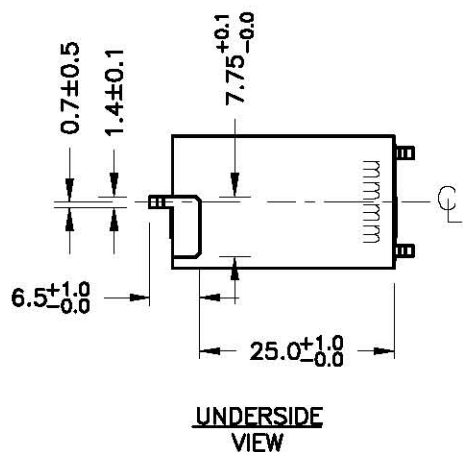


G Series Supercapacitors

GW Dual Cell Devices - Mechanical & Electrical Drawings



**SUGGESTED CONNECTION
 DETAILS FOR 2 - CELL
 SUPERCAP**



SUGGESTED PAD LAYOUT

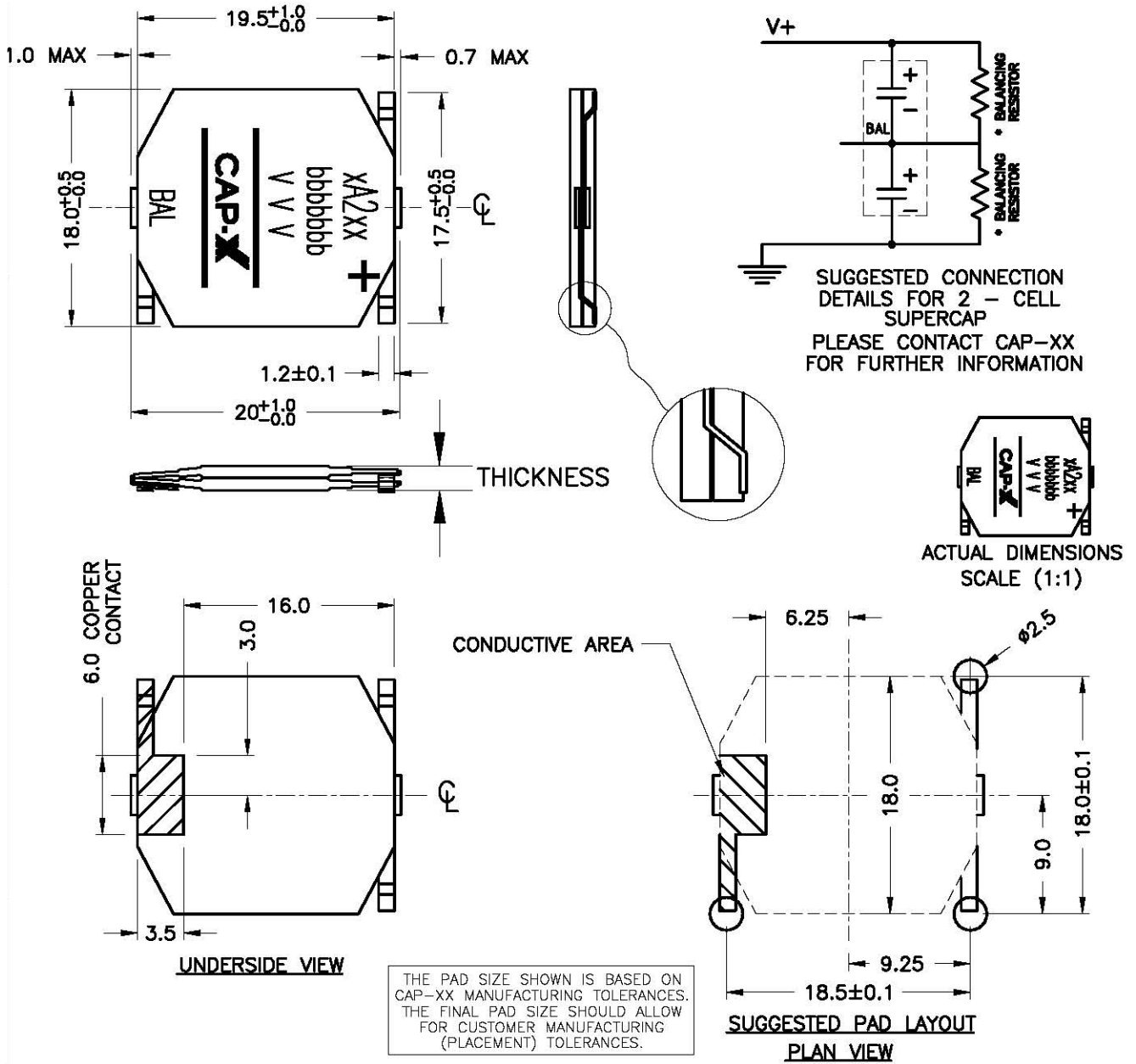
THE PAD SIZE SHOWN IS BASED ON CAP-XX MANUFACTURING TOLERANCES. THE FINAL PAD SIZE SHOULD ALLOW FOR CUSTOMER MANUFACTURING (PLACEMENT) TOLERANCES.

Note: Refer Product Specification for thickness and print values XX, bbbbbb, CAP, ESR, mmmm



G Series Supercapacitors

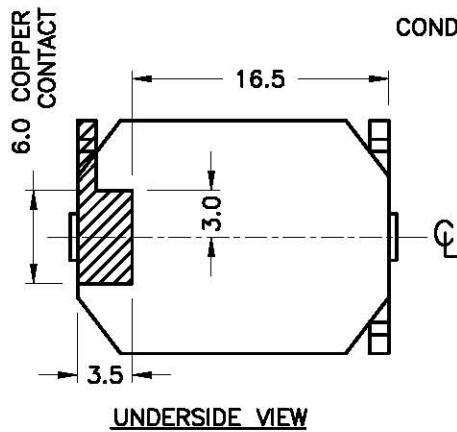
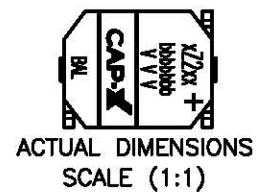
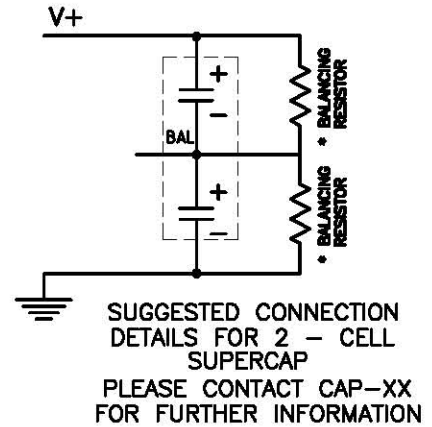
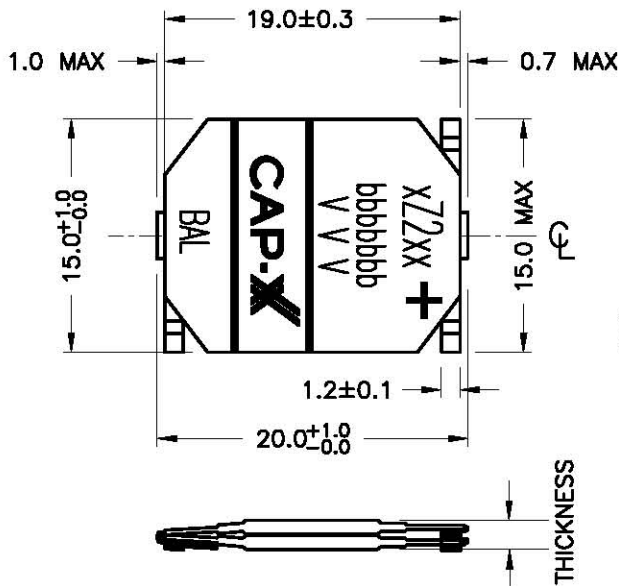
GA Dual Cell Devices - Mechanical & Electrical Drawings



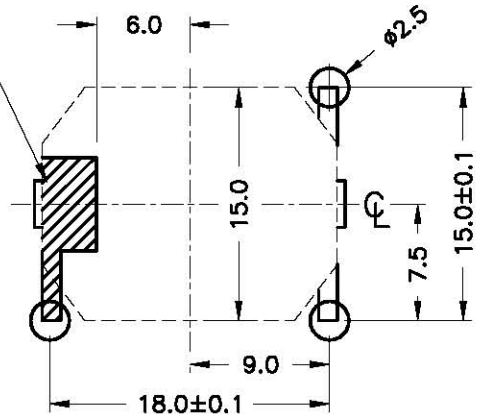


G Series Supercapacitors

GZ Dual Cell Devices - Mechanical & Electrical Drawings



CONDUCTIVE AREA



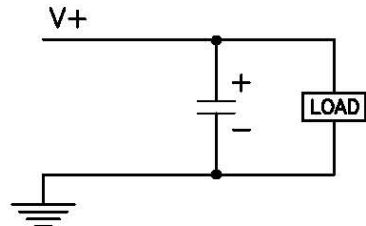
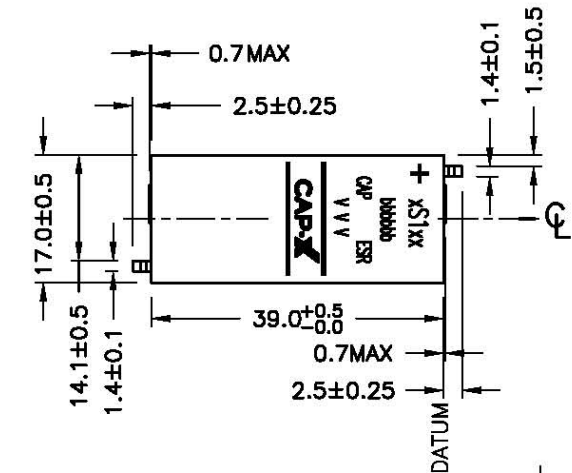
THE PAD SIZE SHOWN IS BASED ON CAP-XX MANUFACTURING TOLERANCES. THE FINAL PAD SIZE SHOULD ALLOW FOR CUSTOMER MANUFACTURING (PLACEMENT) TOLERANCES.

**SUGGESTED PAD LAYOUT
PLAN VIEW**



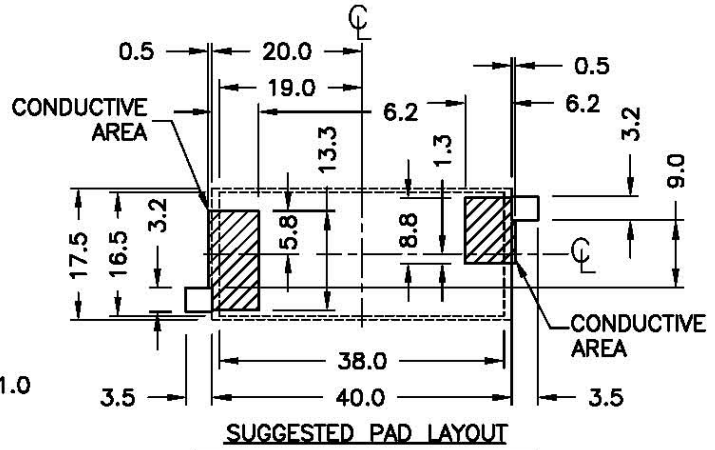
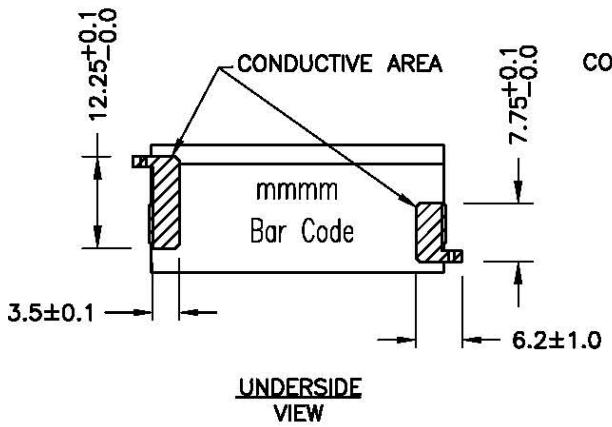
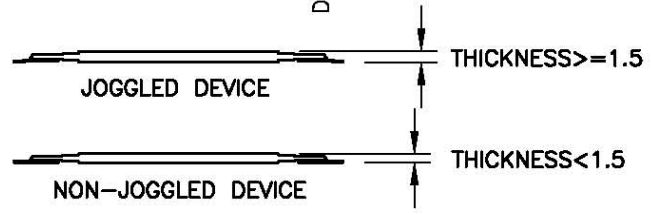
G Series Supercapacitors

GS Single Cell Devices - Mechanical & Electrical Drawings



PLEASE CONTACT CAP-XX FOR FURTHER INFORMATION

SUGGESTED CONNECTION DETAILS FOR SINGLE CELL SUPERCAP



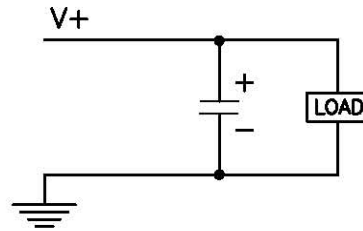
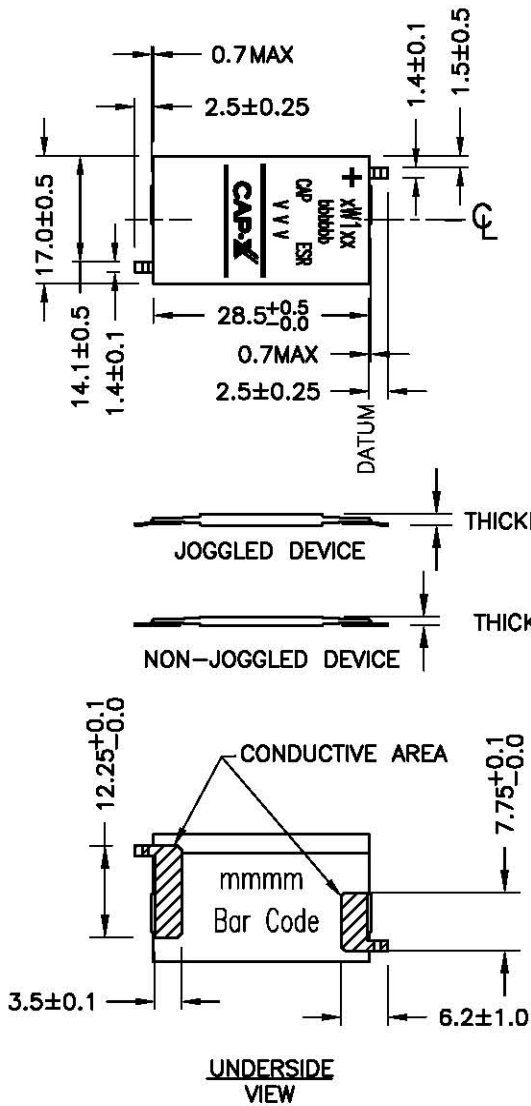
THE PAD SIZE SHOWN IS BASED ON CAP-XX MANUFACTURING TOLERANCES. THE FINAL PAD SIZE SHOULD ALLOW FOR CUSTOMER MANUFACTURING (PLACEMENT) TOLERANCES.

Note: Refer Product Specification for thickness and print values XX, bbbbbb, CAP, ESR, mmmm



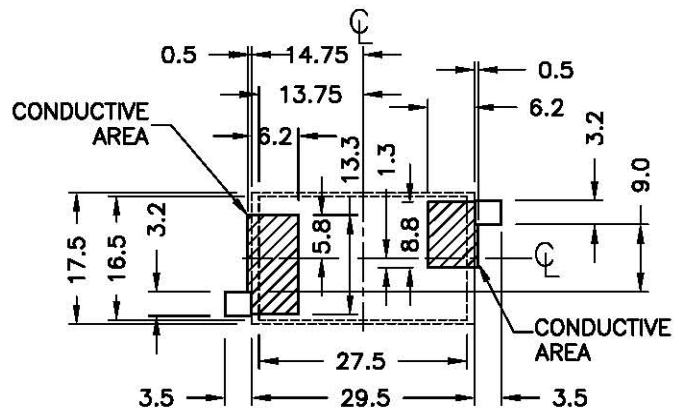
G Series Supercapacitors

GW Single Cell Devices - Mechanical & Electrical Drawings



PLEASE CONTACT CAP-XX FOR FURTHER INFORMATION

SUGGESTED CONNECTION DETAILS FOR SINGLE CELL SUPERCAP



SUGGESTED PAD LAYOUT

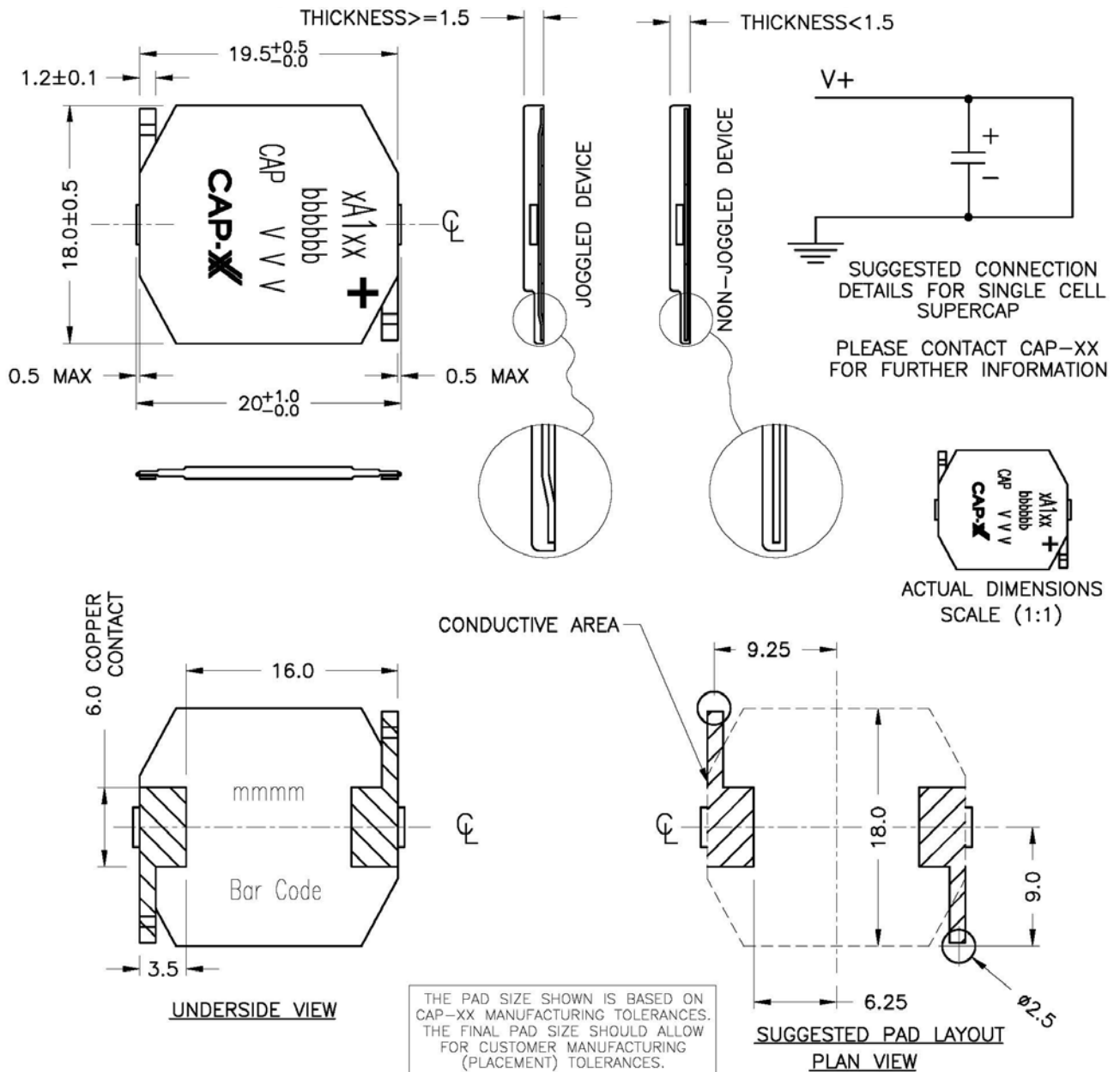
THE PAD SIZE SHOWN IS BASED ON CAP-XX MANUFACTURING TOLERANCES. THE FINAL PAD SIZE SHOULD ALLOW FOR CUSTOMER MANUFACTURING (PLACEMENT) TOLERANCES.

Note: Refer Product Specification for thickness and print values XX, bbbbbb, CAP, ESR, mmmm



G Series Supercapacitors

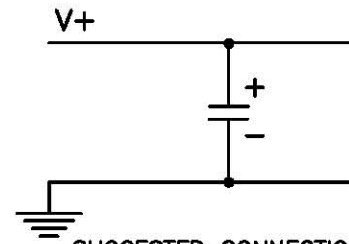
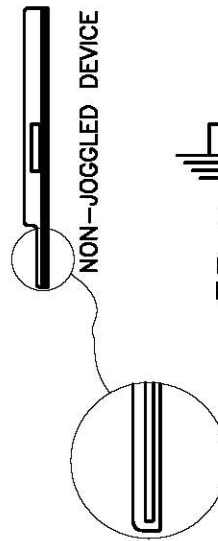
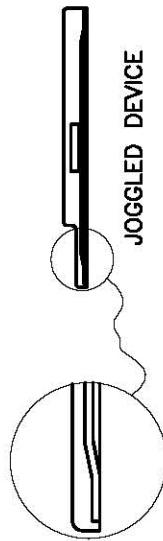
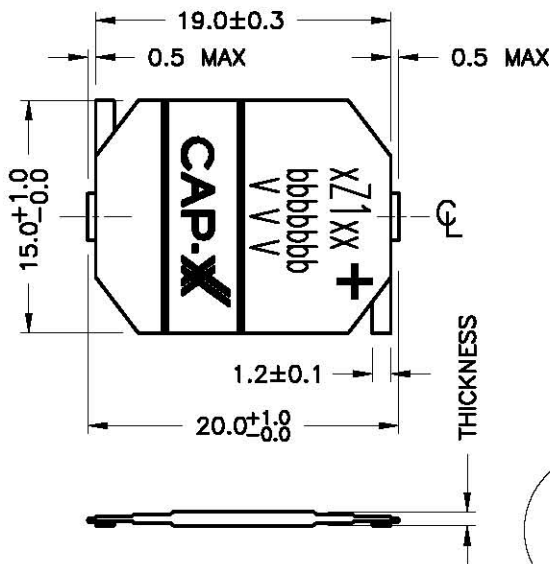
GA Single Cell Devices - Mechanical & Electrical Drawings



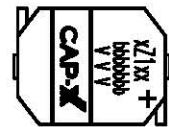


G Series Supercapacitors

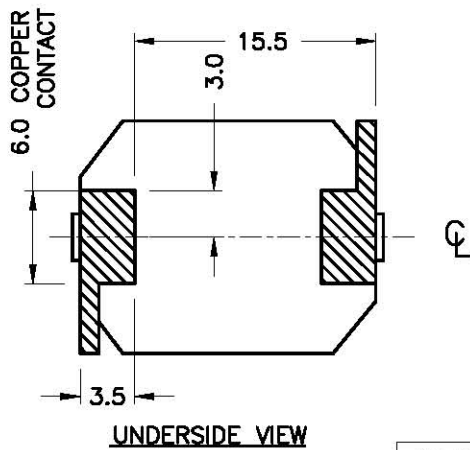
GZ Single Cell Devices - Mechanical & Electrical Drawings



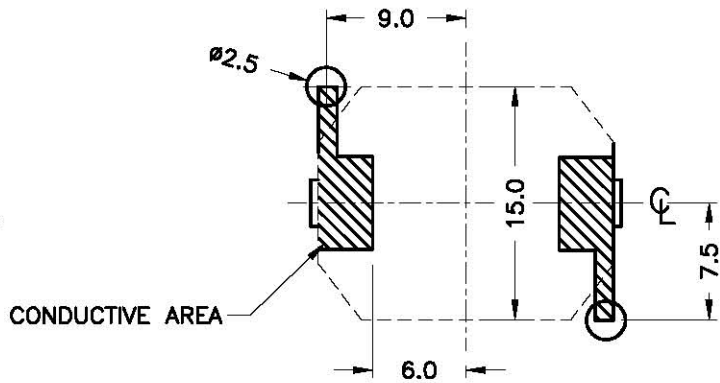
SUGGESTED CONNECTION
DETAILS FOR SINGLE CELL
SUPERCAP
PLEASE CONTACT CAP-XX
FOR FURTHER INFORMATION



ACTUAL DIMENSIONS
SCALE (1:1)



UNDERSIDE VIEW



SUGGESTED PAD LAYOUT
PLAN VIEW

THE PAD SIZE SHOWN IS BASED ON
CAP-XX MANUFACTURING TOLERANCES.
THE FINAL PAD SIZE SHOULD ALLOW
FOR CUSTOMER MANUFACTURING
(PLACEMENT) TOLERANCES.