

**Product number C11816_STRADA-SQ-T-DN**

Family	Strada-SQ	FWHM	Asymmetric degrees
Type	Lens	Efficiency	87 %
LED	XP-E	cd/lm	(simulated) 0.000
Color	Clear	Gerber File	Available
Diameter	25 + 25 mm		
Height	8.77 mm		
Style	Square		
Optic Material	PMMA		
Holder Material	-		
Fastening	Screw, glue		
Status	On production		

Product number CA11817_STRADA-SQ-T-DN

Family	Strada-SQ	FWHM	Asymmetric degrees
Type	Assembly	Efficiency	87 %
LED	XP-E	cd/lm	(simulated) 0.000
Color	Clear	Gerber File	Available
Diameter	25 + 25 mm		
Height	8.92 mm		
Style	Square		
Optic Material	PMMA		
Holder Material	-		
Fastening	Screw, tape		
Status	On production		

NOTE: The typical divergence will be changed by different color, chip size and chip position tolerance. The typical total divergence is the full angle measured where the luminous intensity is half of the peak value.



PRODUCT DATASHEET Strada-SQ series

last update 26/8/2014



GENERAL INFORMATION

- Product series especially designed & optimized for XP-E series of LEDs.
- Special care taken to make light distribution as uniform as possible.
- Lens material optical grade PMMA with high UV and temperature resistance. Allows use of high current and temperature conditions.

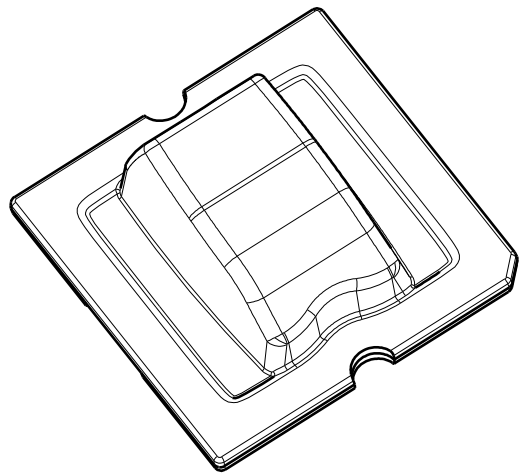
Please find more information about used material from below:

http://ledil.fi/sites/default/files/Documents/Technical/Material/PMMA%20N%20UL94_Yellow%20Card.pdf

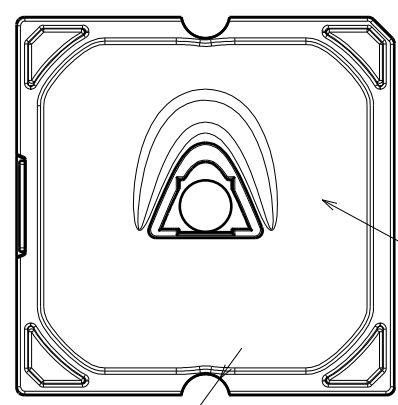
<http://ledil.fi/sites/default/files/Documents/Technical/Material/PMMA%20N%20PLEXIGLAS-Datasheet.pdf>

D C B A

4



Isometric view

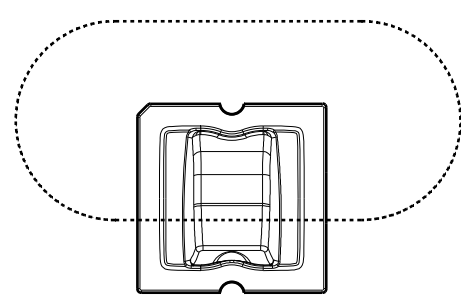


Tape area

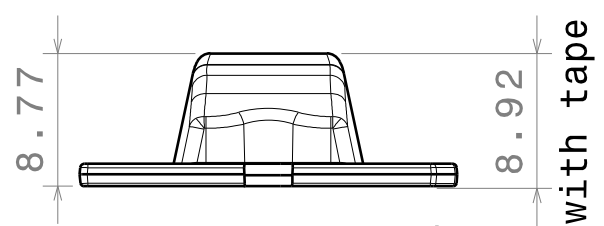
$\phi 3.2$

Bottom view

3



Beam direction



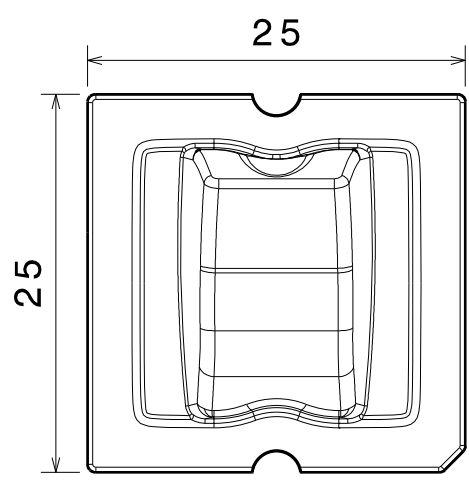
Front view

2

Part no.s:
C11816_Strada-SQ-T-DN-XP
C11816_Strada-SQ-T-DN-XP-G

Part no.s with tape:
CA11817_Strada-SQ-T-DN-XP-TAPE
CA11817_Strada-SQ-T-DN-XP-G-TAPE

MATERIALS
Lens: PMMA
Tape(optional): PU Foam



Top view

4

3

2

1

This drawing is our property.
It can't be reproduced
or communicated without
our written agreement.



Ledil Oy
Tehdaskatu 13
FIN-24100 SALO
Finland

DRAWING TITLE

Datasheet Strada-SQ-T-DN-XP Lens

DRAWN BY
mav

DATE
01.12.2010

CHECKED BY
pv

DATE
01.12.2010

SIZE
A4

DRAWING NUMBER
C11816

REV
1

DESIGNED BY
hh

DATE
01.12.2010

SCALE 2:1

WEIGHT (g)

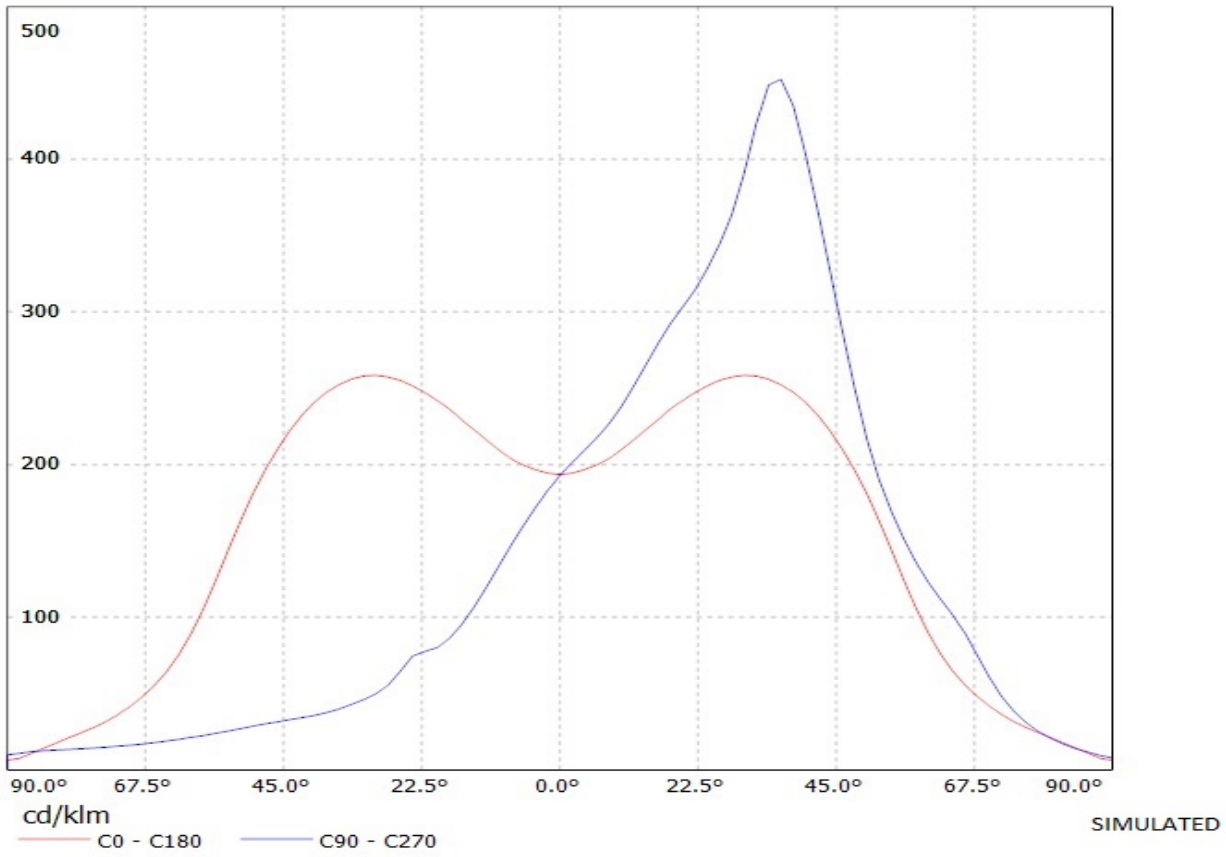
SHEET

1 / 1

D A

Ledil Oy CA11817_Strada-SQ-T-DN-XP-TAPE CA11817_Strada-SQ-T-DN-XP-TAPE / LDC (Linear)

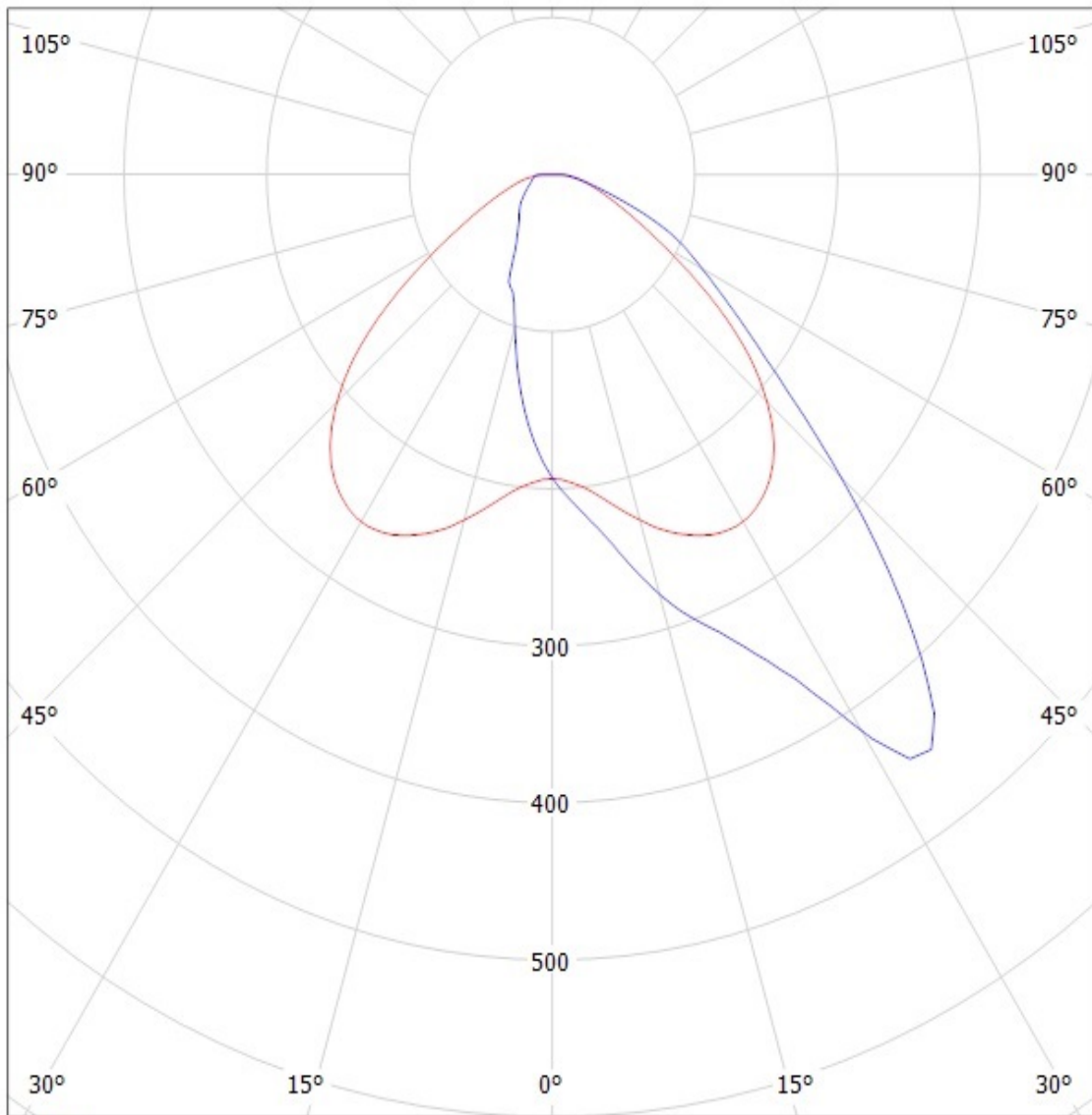
Luminaire: Ledil Oy CA11817_Strada-SQ-T-DN-XP-TAPE CA11817_Strada-SQ-T-DN-XP-TAPE
Lamps: 1 x Cree XP-E (White)



Ledil Oy CA11817_Strada-SQ-T-DN-XP-TAPE CA11817_Strada-SQ-T-DN-XP-TAPE / LDC (Polar)

Luminaire: Ledil Oy CA11817_Strada-SQ-T-DN-XP-TAPE CA11817_Strada-SQ-T-DN-XP-TAPE

Lamps: 1 x Cree XP-E (White)



cd/klm

— C0 - C180 — C90 - C270

SIMULATED