

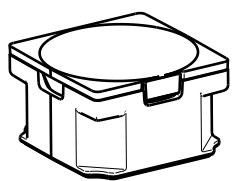
## DETAILS

<b>Product Number</b>	CA11525_LAURA-R-W
<b>Family</b>	Laura
<b>Type</b>	RefAssy
<b>Color</b>	black
<b>Diameter</b>	21.6 x 21.6 mm
<b>Height</b>	13.1 mm
<b>Style</b>	square
<b>Optic Material</b>	PC
<b>Holder Material</b>	PC
<b>Fastening</b>	tape
<b>Status</b>	ready
<b>ROHS Compliant</b>	Yes
<b>Date Updated</b>	25/04/2014

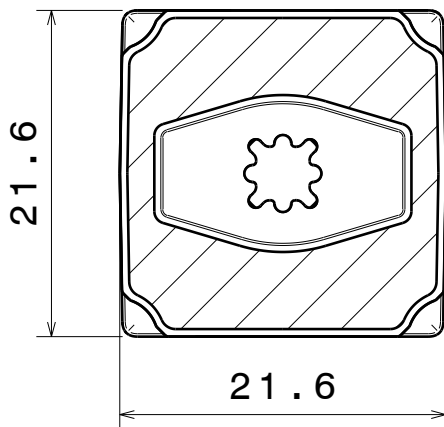


## OPTICAL PROPERTIES

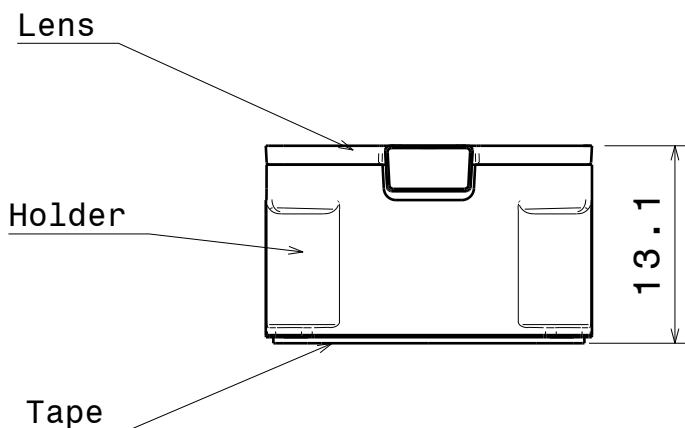
LED	Viewing Angle	Light Beam	Efficiency	cd/lm	Connector
XP-E	71 deg	Wide	70 %	0.520	-
XP-G	71 deg	Wide	70 %	sim: 0.000	-
Z5	71 deg	Wide	-	sim: 0.000	-



Isometric view  
Scale: 1:1



Bottom view



Front view

Materials  
lens: PMMA  
holder: PC, black  
Tape: PU Foam

This drawing is our property.  
It can't be reproduced  
or communicated without  
our written agreement.



L  
T  
F  
F

e  
e  
i  
i  
N  
n

d

DRAWING TITLE

Datasheet Laura-tape series assy

DRAWN BY p	DATE 11.06.2010
CHECKED BY h	DATE 25.01.2010
DESIGNED BY hh	DATE 21.01.2010

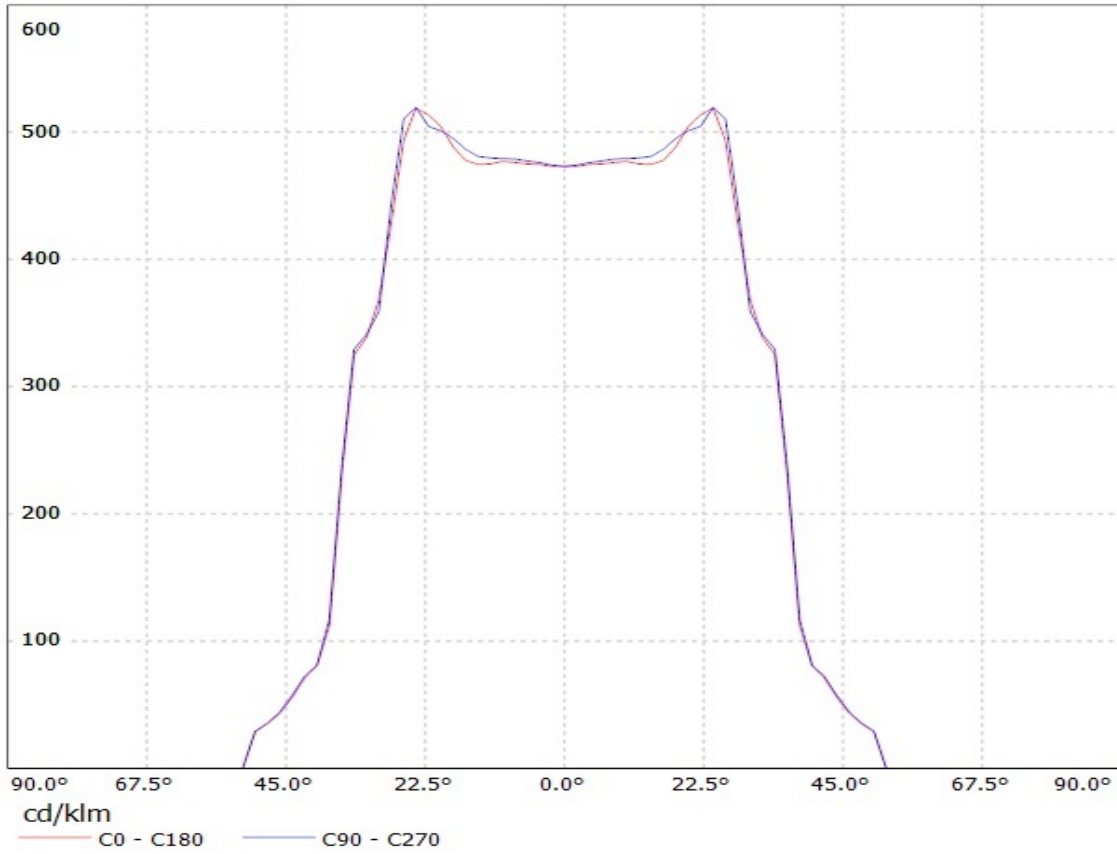
SIZE A4	DRAWING NUMBER CA11353	REV 1
SCALE 2:1	WEIGHT (g)	SHEET 1/1

D

A

**Ledil Oy CA11525\_Laura-Refl-W-XP-tape CA11525\_Laura-Refl-W-XP-tape / LDC (Linear)**

Luminaire: Ledil Oy CA11525\_Laura-Refl-W-XP-tape CA11525\_Laura-Refl-W-XP-tape  
Lamps: 1 x Cree XP-E white

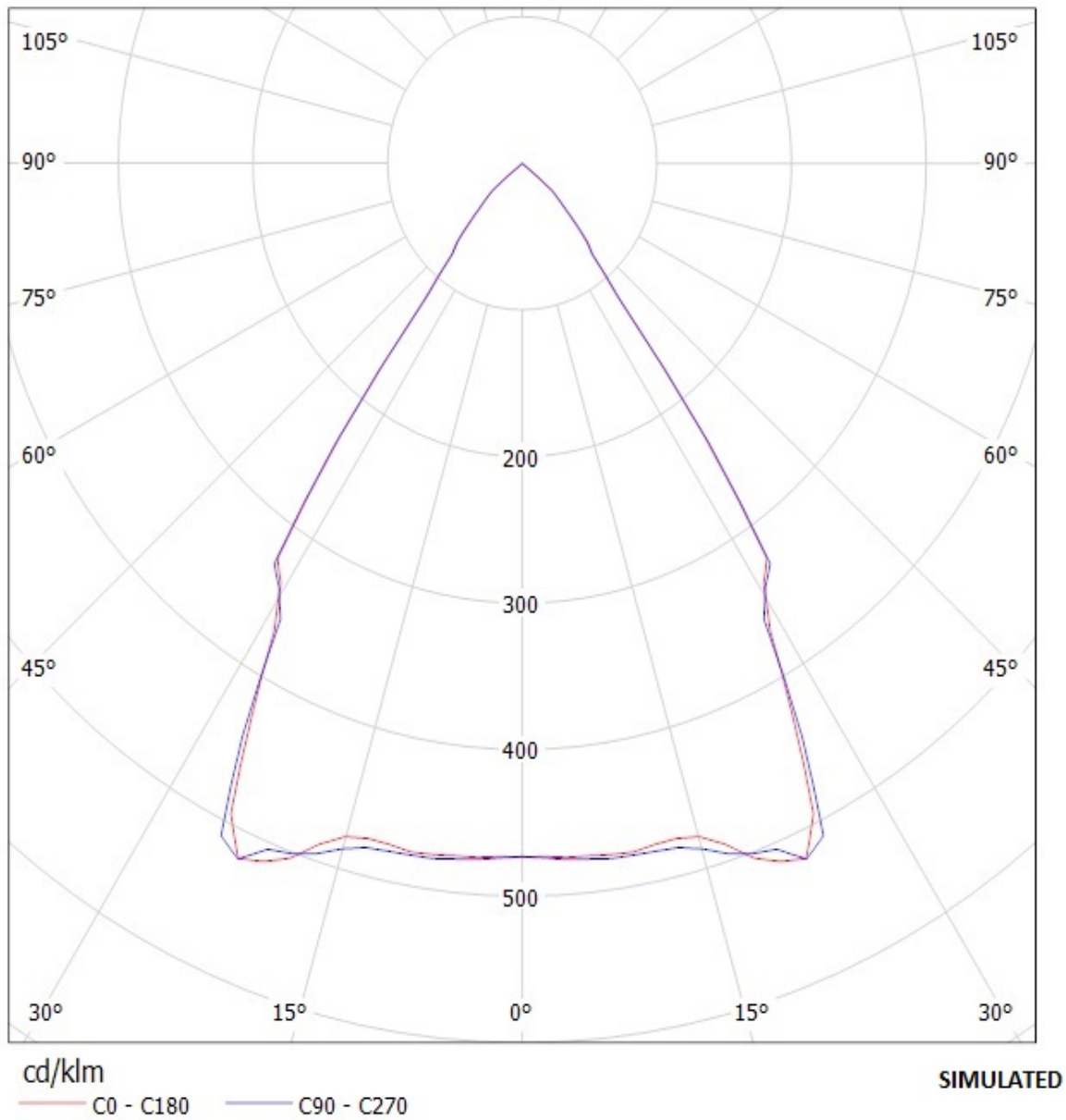


**SIMULATED**

# Ledil Oy CA11525\_Laura-Refl-W-XP-tape CA11525\_Laura-Refl-W-XP-tape / LDC (Polar)

Luminaire: Ledil Oy CA11525\_Laura-Refl-W-XP-tape CA11525\_Laura-Refl-W-XP-tape

Lamps: 1 x Cree XP-E white



**NOTE: The typical divergence will be changed by different color, chip size and chip position tolerance. The typical total divergence is the full angle measured where the luminous intensity is half of the peak value.**

## **GENERAL INFORMATION**

- Product series especially designed & optimized for series of LEDs.
- Special care taken to make light distribution as uniform as possible.
- Reflector is made of aluminium coated PC (120 degrees of Celcius / 248 degrees of Fahrenheit) with protective lacquer (short term 100 degrees of Celcius / 212 degrees of Fahrenheit).
- Fastening to heat sink with a PU foam adhesive tape of automotive grade. Please find fastening details by clicking link: [http://www.ledil.com/datasheets/DataSheet\\_TAPE.pdf](http://www.ledil.com/datasheets/DataSheet_TAPE.pdf)

**NOTE 1: We advise customer to ensure the suitability and sufficiency of the bond in the end product. For example, mechanical stress, vibration and holes on the surface of the circuit board weaken the strength of the tape.**

**NOTE 2: Assembly to the surface must be made straight, so the tape bonds constant and balanced with fastening surface. Slanted assembly might cause unbalanced bond to the surface. All surfaces where tape is applied must be clean, dry and free from grease and dirt.**

**If cleaning of PCB surfaces is needed, please follow strictly the cleaning instructions of your LED manufacturer - this is important as cleaning shall under no circumstances damage LEDs or other electronics components on the PCB.**

**Further note that optical components shall not be cleaned with any chemicals - only micro fiber cloth may be used to remove fingerprints or other traces from handling.**