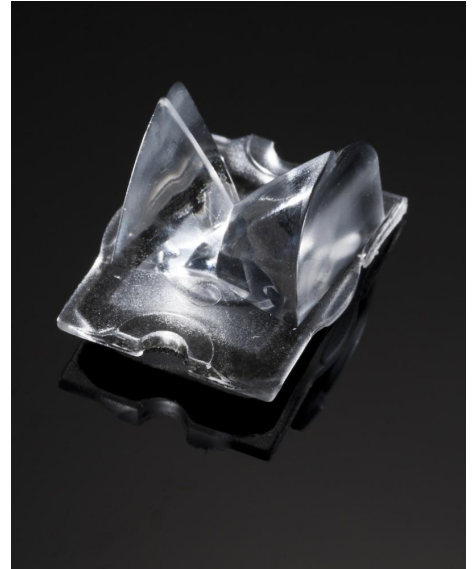


DETAILS

Product Number	CA11426_STRADA-T-DW
Family	Strada-T
Type	Assembly
Color	clear
Diameter	19.6 x 15.5 mm
Height	10,7 mm
Style	rectang
Optic Material	PMMA
Holder Material	
Fastening	screw, pin, tape
Status	ready
ROHS Compliant	Yes
Date Updated	24/04/2014

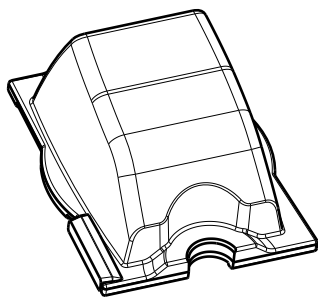


OPTICAL PROPERTIES

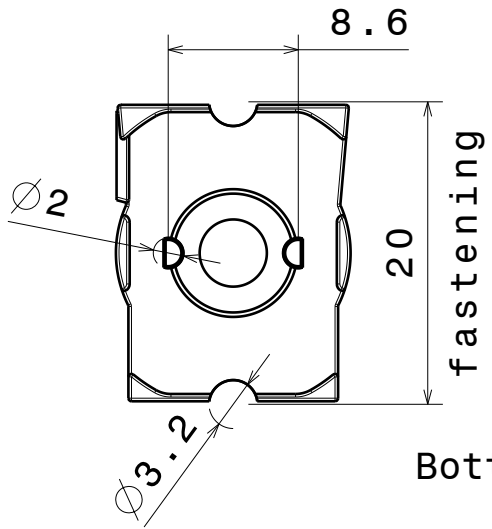
LED	Viewing Angle	Light Beam	Efficiency	cd/lm	Connector
XB-D	Asymmetric deg	Streetligh...	93 %	-	-
Oslon Square PC	Asymmetric deg	Streetligh...	92 %	sim: 0.000	-
Oslon SSL 80	Asymmetric deg	Streetligh...	92 %	-	-
XP-E	Asymmetric deg	Streetligh...	92 %	sim: 0.000	-
XP-G	Asymmetric deg	Streetligh...	92 %	sim: 0.000	-
NCSxx19A	Asymmetric deg	Streetligh...	92 %	-	-
LUXEON Rebel	Asymmetric deg	Streetligh...	92 %	sim: 0.000	-
Z5	Asymmetric deg	Streetligh...	92 %	-	-
NVSxx19A	Asymmetric deg	Streetligh...	92 %	-	-
Oslon SSL 150	Asymmetric deg	Streetligh...	92 %	sim: 0.000	-
LUXEON Rebel ES	Asymmetric deg	Streetligh...	92 %	sim: 0.000	-
Double Dome (GM2BB)	Asymmetric deg	Streetligh...	92 %	-	-
H35B0 (LEMWA32)	Asymmetric deg	Streetligh...	92 %	0.800	-
H35C0 (LEMWA33)	Asymmetric deg	Streetligh...	91 %	0.750	-
LUXEON A	Asymmetric deg	Streetligh...	92 %	-	-

D C B A

4

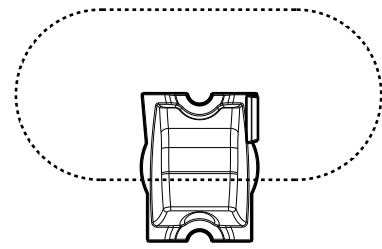


Isometric view

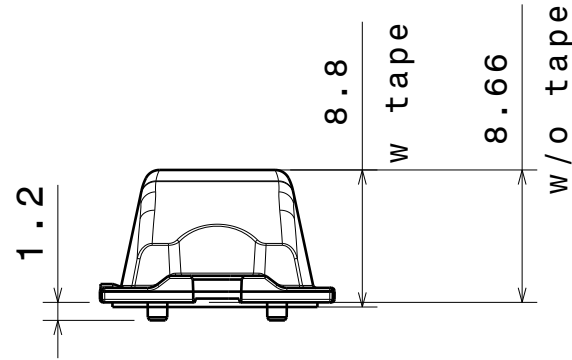


Bottom view

3

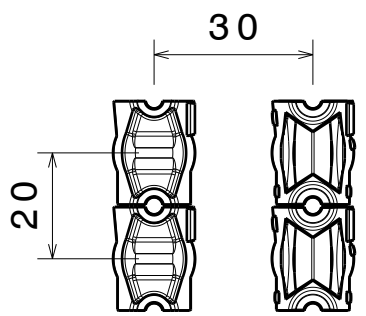


Beam direction

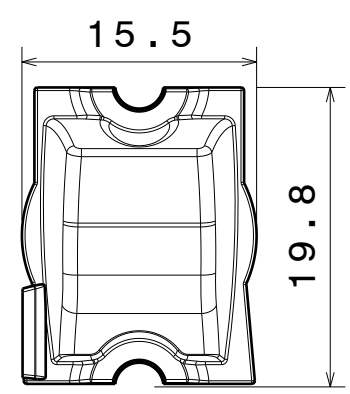


Front view

2



Strada lens arrangement recommendation




Top view

MATERIALS
 Lens: PMMA
 Tape(optional): PU Foam

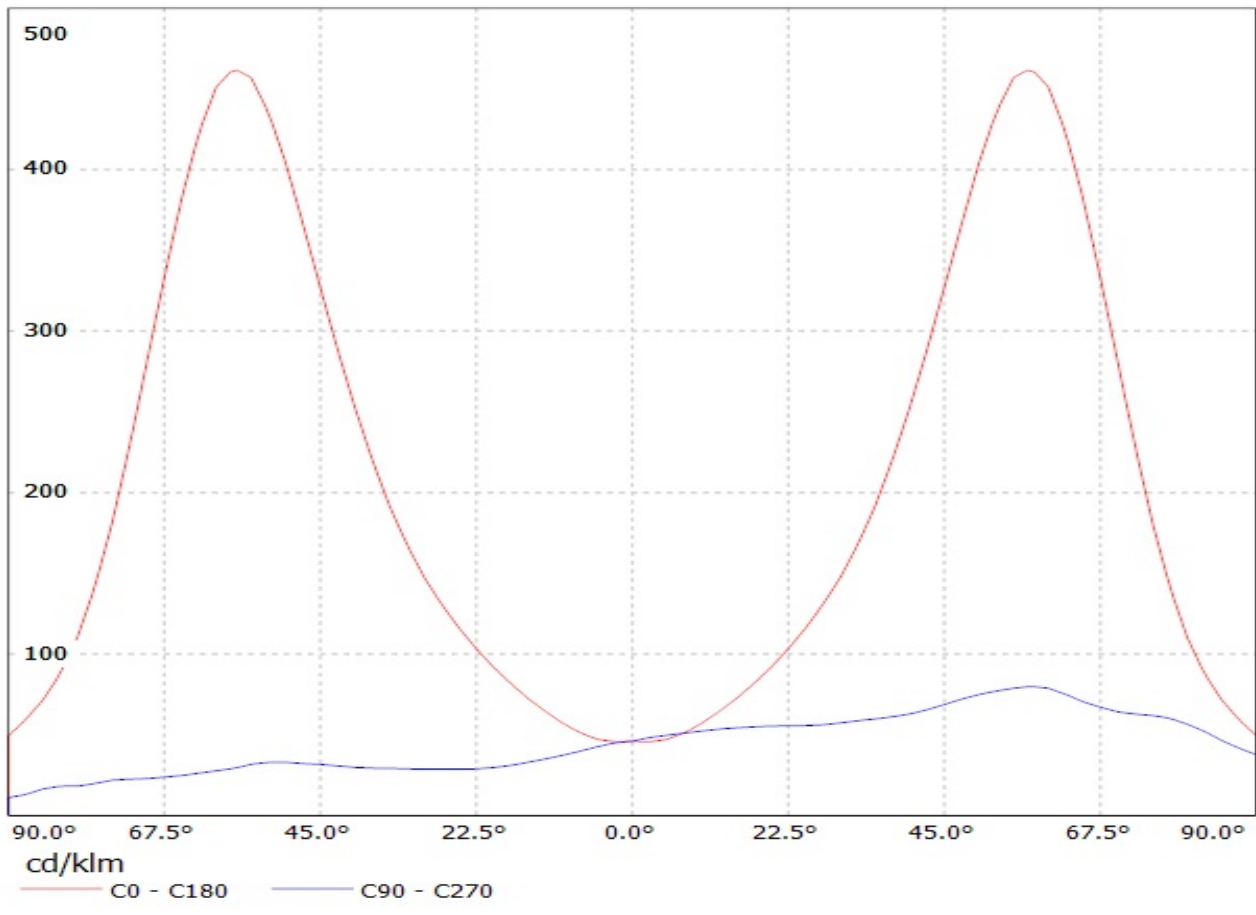
Optical interface details are confidential and detail in this area may not reflect actual shape

1

1

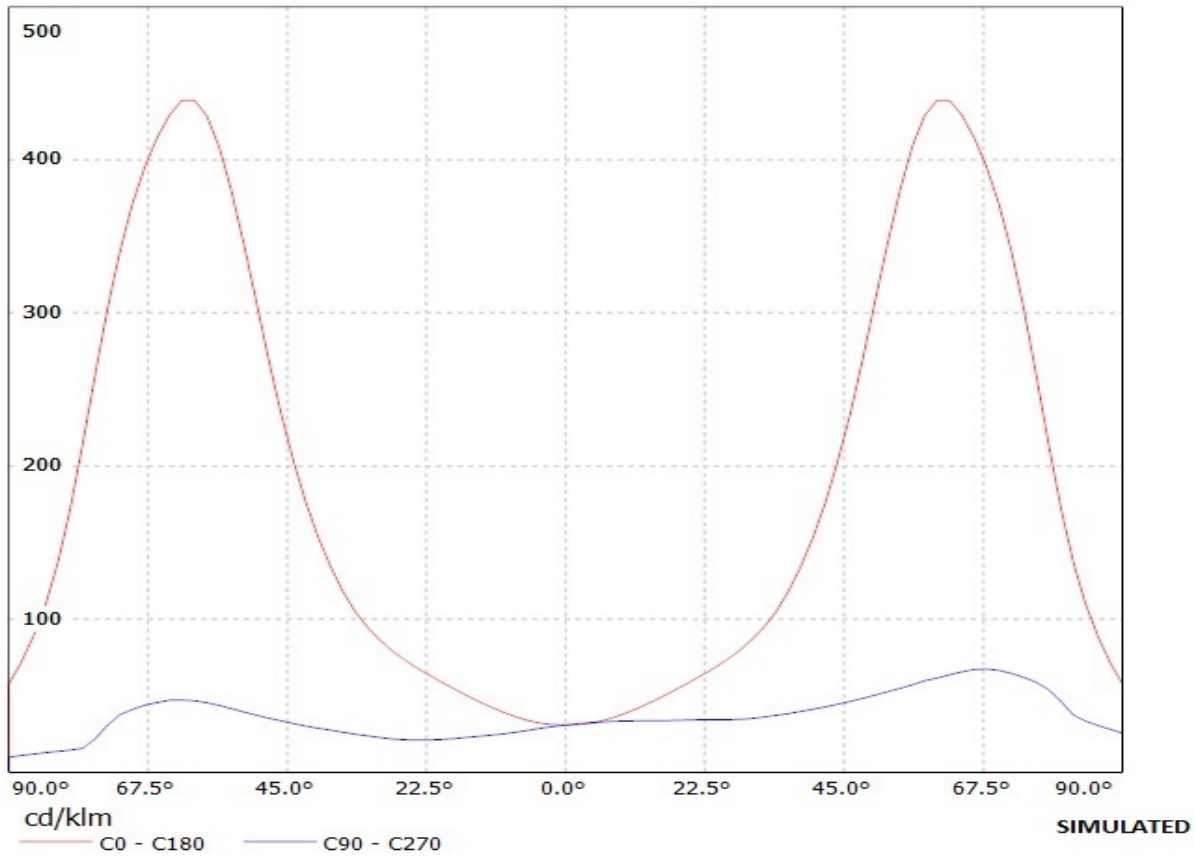
This drawing is our property. It can't be reproduced or communicated without our written agreement.				Ledil Oy Salorankatu 10 FIN-24100 SALO Finland	
DRAWN BY ah		DATE 26.9.2012		Datasheet Strada-T-DN Lens	
CHECKED BY sn		DATE 26.9.2012			
DESIGNED BY hh		DATE 14.05.2010		SIZE A4	DRAWING NUMBER
		SCALE 2:1		WEIGHT (g)	SHEET 1/1

D A



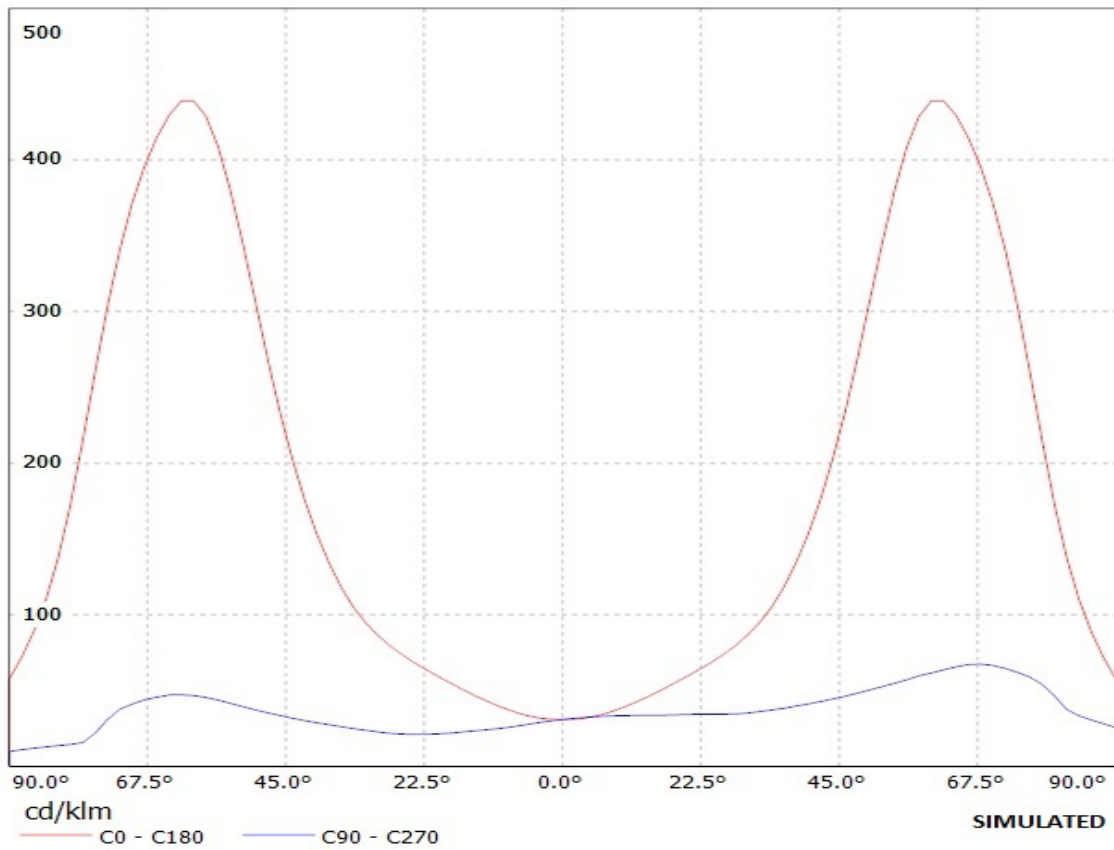
Ledil Oy C11425_Strada-T-DW-XP-G C11425_Strada-T-DW-XP-G / LDC (Linear)

Luminaire: Ledil Oy C11425_Strada-T-DW-XP-G C11425_Strada-T-DW-XP-G
Lamps: 1 x Cree Xp-G (White)



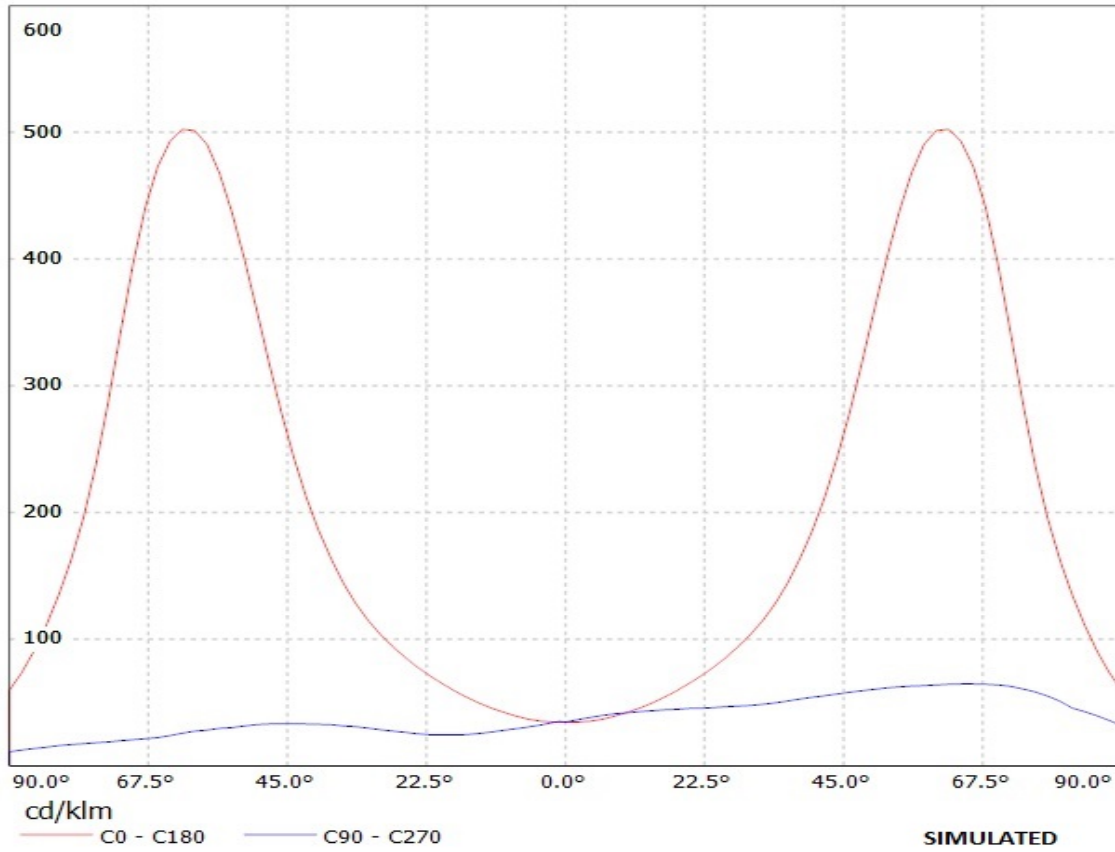
Ledil Oy C11425_Strada-T-DW-XP-G C11425_Strada-T-DW-XP-G / LDC (Linear)

Luminaire: Ledil Oy C11425_Strada-T-DW-XP-G C11425_Strada-T-DW-XP-G
Lamps: 1 x Cree Xp-G (White)



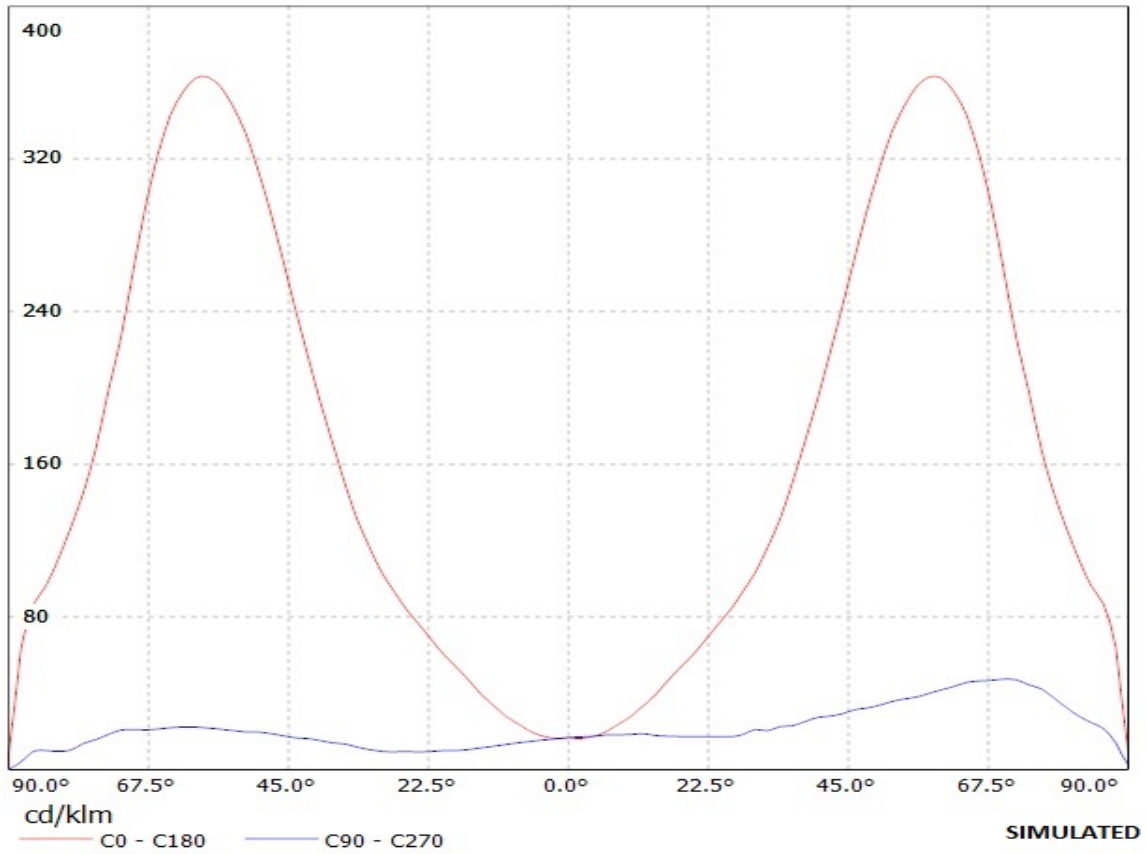
Ledil Oy C11425_Strada-T-DW-RE C11425_Strada-T-DW-RE / LDC (Linear)

Luminaire: Ledil Oy C11425_Strada-T-DW-RE C11425_Strada-T-DW-RE
Lamps: 1 x Luxeon Rebel (Warm White)



Ledil Oy CA11426_Strada-T-DW-OSL150 LOR=92% / LDC (Linear)

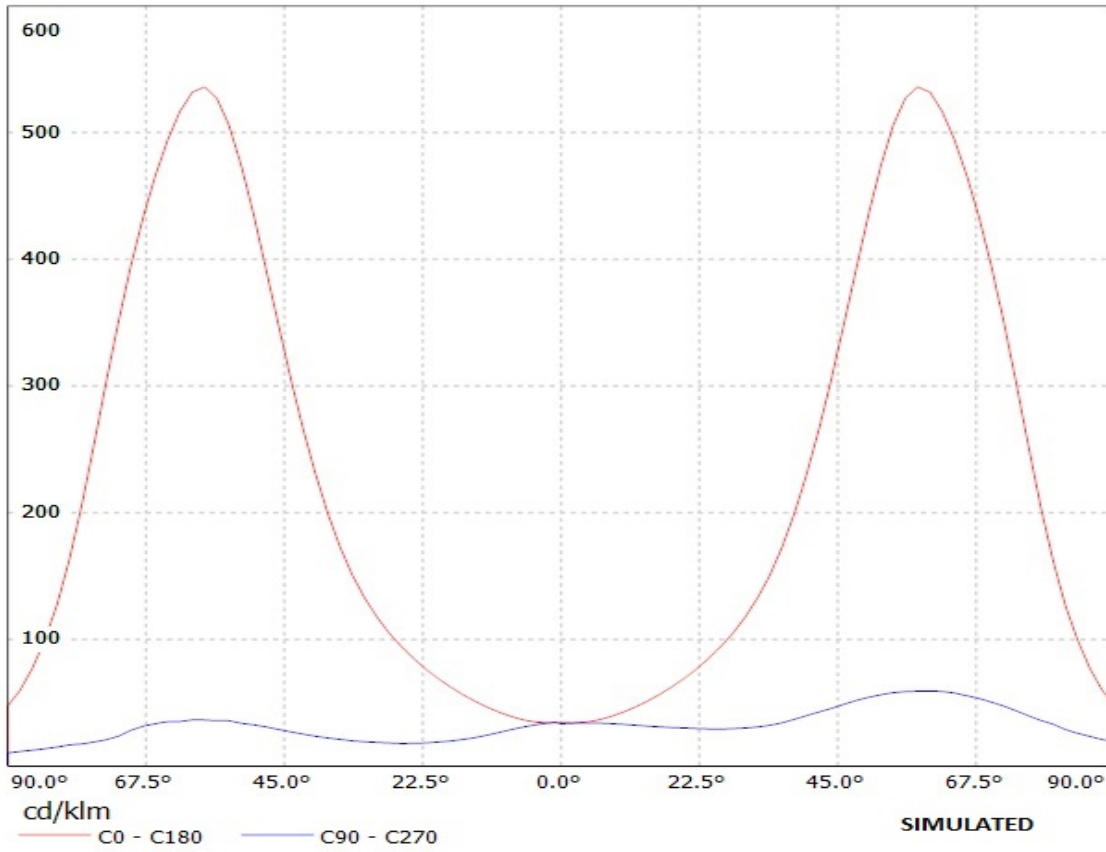
Luminaire: Ledil Oy CA11426_Strada-T-DW-OSL150 LOR=92%
Lamps: 1 x Osram Oslon 150 109lm @ 250mA



Ledil Oy C11425_Strada-T-DW-RE-ES C11425_Strada-T-DW-RE-ES / LDC (Linear)

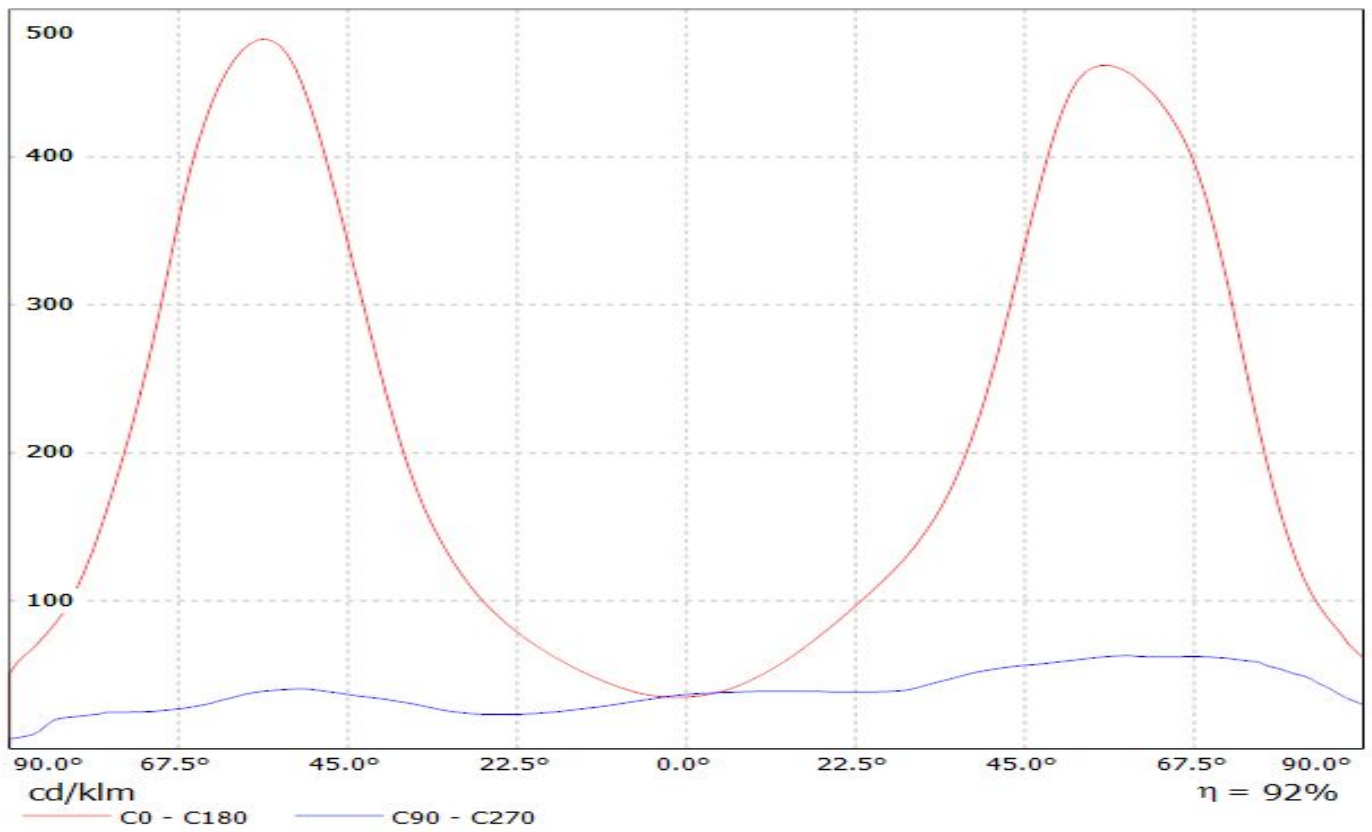
Luminaire: Ledil Oy C11425_Strada-T-DW-RE-ES C11425_Strada-T-DW-RE-ES

Lamps: 1 x Luxeon Rebel-ES (white)

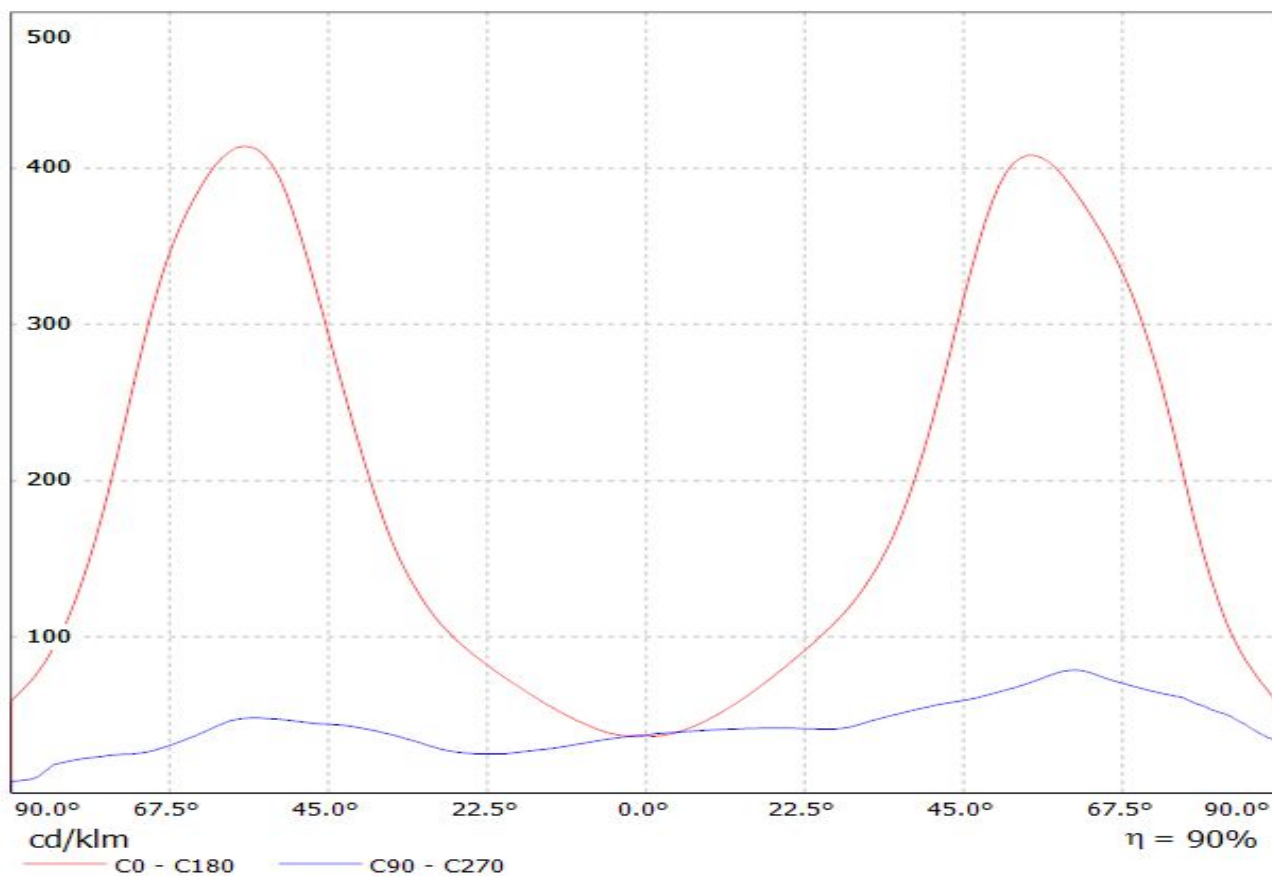


LEDiL Oy CA11426_STRADA-T-DW_(LG3535_2W) Eff.91.7% / LDC (Linear)

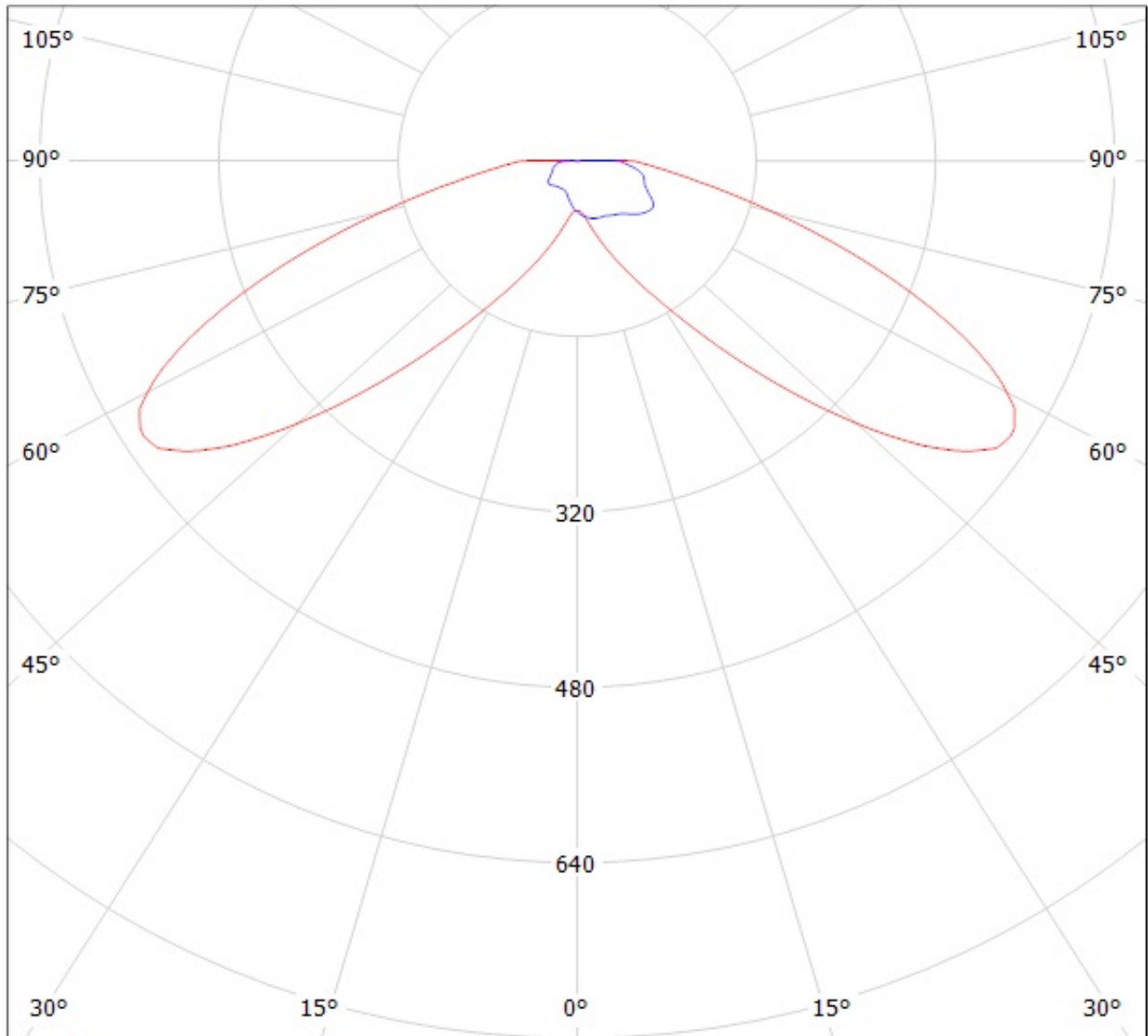
Luminaire: LEDiL Oy CA11426_STRADA-T-DW_(LG3535_2W) Eff.91.7%
Lamps: 1 x LG3535_2W (97.3629lm@250mA)



Luminaire: LEDiL Oy CA11426_STRADA-T-DW_(LG3535) Eff. 90,4%
Lamps: 1 x LG Ceramic 3535 PKG (95lm@250mA)



Luminaire: LEDIL OY C11425_STRADA-T-DW / CA11426_STRADA-T-DW (SQ PC) Efficiency=92%
Lamps: 1 x Osram Oslon Square PC (93lm@250mA)

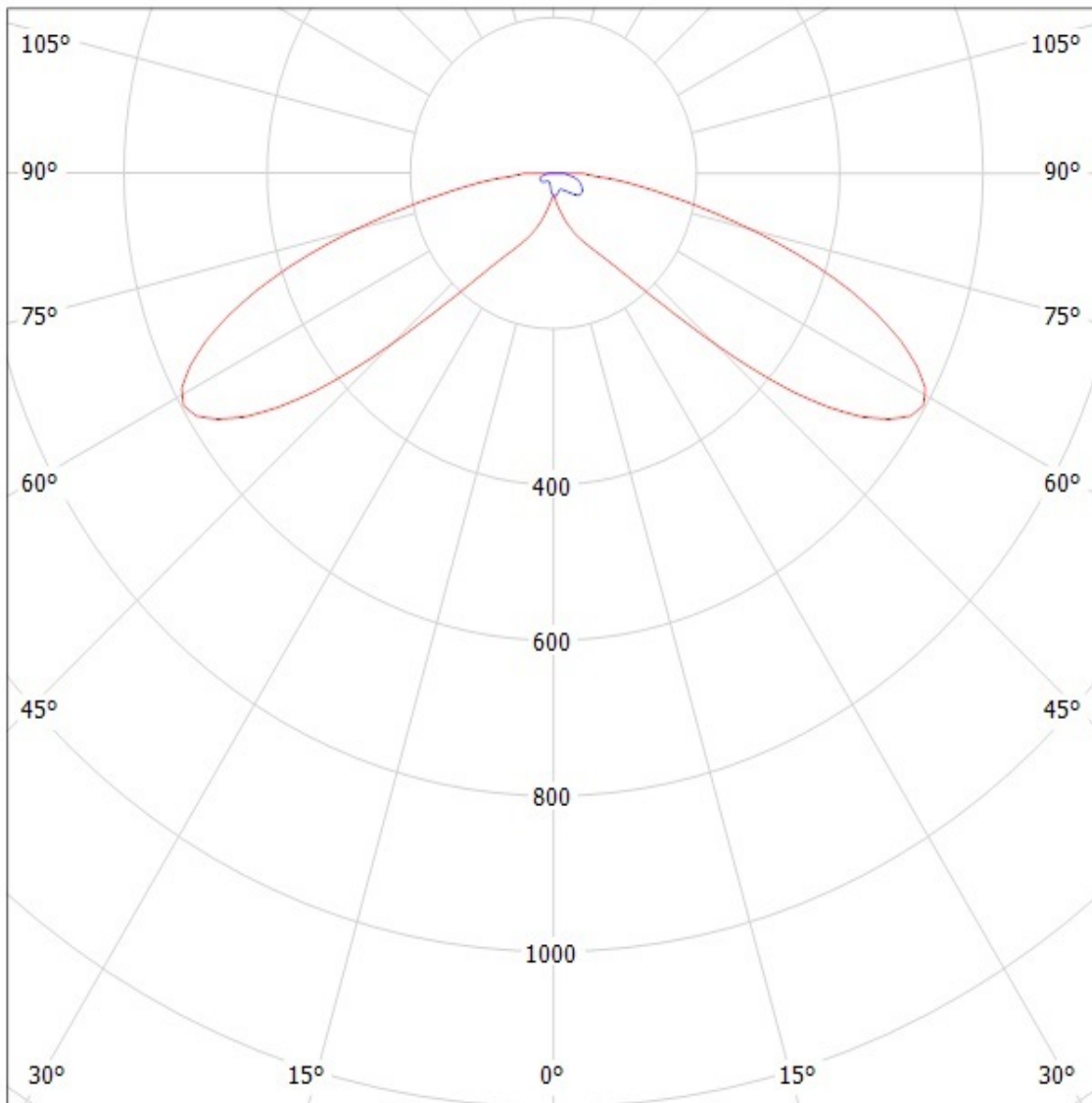


cd/klm

— C0 - C180 — C90 - C270

Ledil Oy C11425_Strada-T-DW-XP C11425_Strada-T-DW-XP / LDC (Polar)

Luminaire: Ledil Oy C11425_Strada-T-DW-XP C11425_Strada-T-DW-XP
Lamps: 1 x Cree XP-E (White)



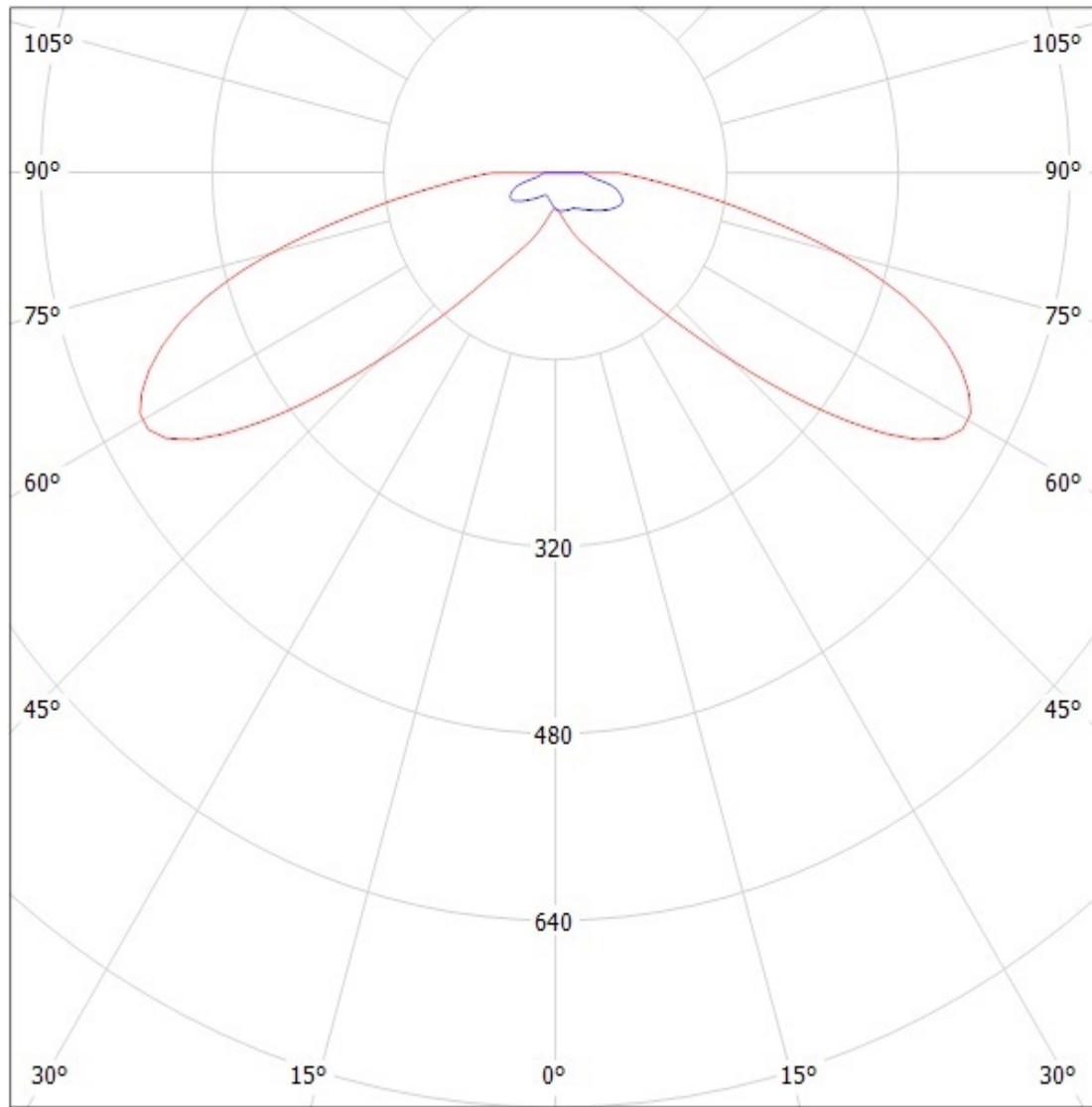
cd/klm

— C0 - C180 — C90 - C270

SIMULATED

Ledil Oy C11425_Strada-T-DW-XP-G C11425_Strada-T-DW-XP-G / LDC (Polar)

Luminaire: Ledil Oy C11425_Strada-T-DW-XP-G C11425_Strada-T-DW-XP-G
Lamps: 1 x Cree Xp-G (White)



cd/klm

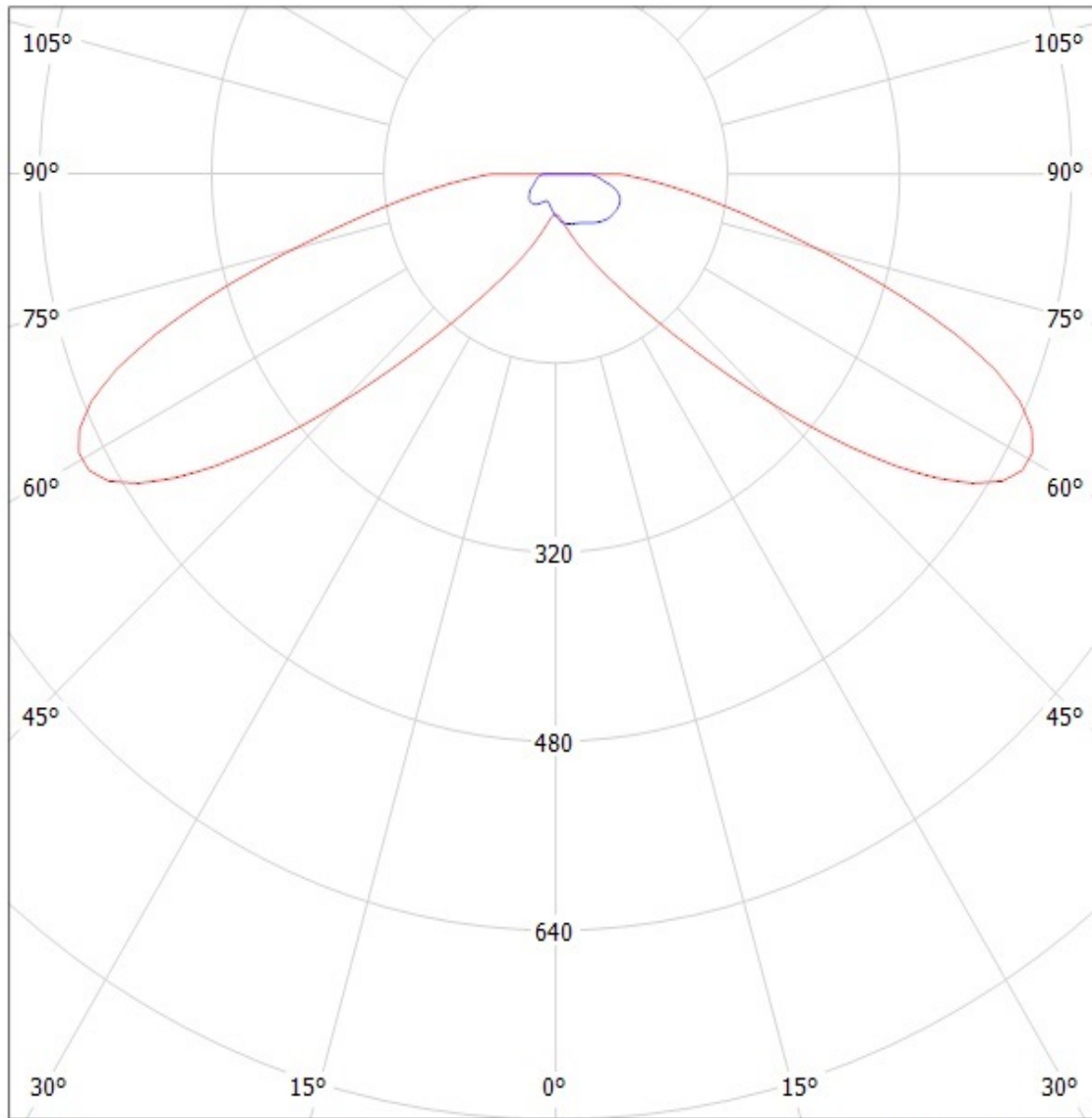
— C0 - C180 — C90 - C270

SIMULATED

Ledil Oy C11425_Strada-T-DW-RE C11425_Strada-T-DW-RE / LDC (Polar)

Luminaire: Ledil Oy C11425_Strada-T-DW-RE C11425_Strada-T-DW-RE

Lamps: 1 x Luxeon Rebel (Warm White)



cd/klm

— C0 - C180

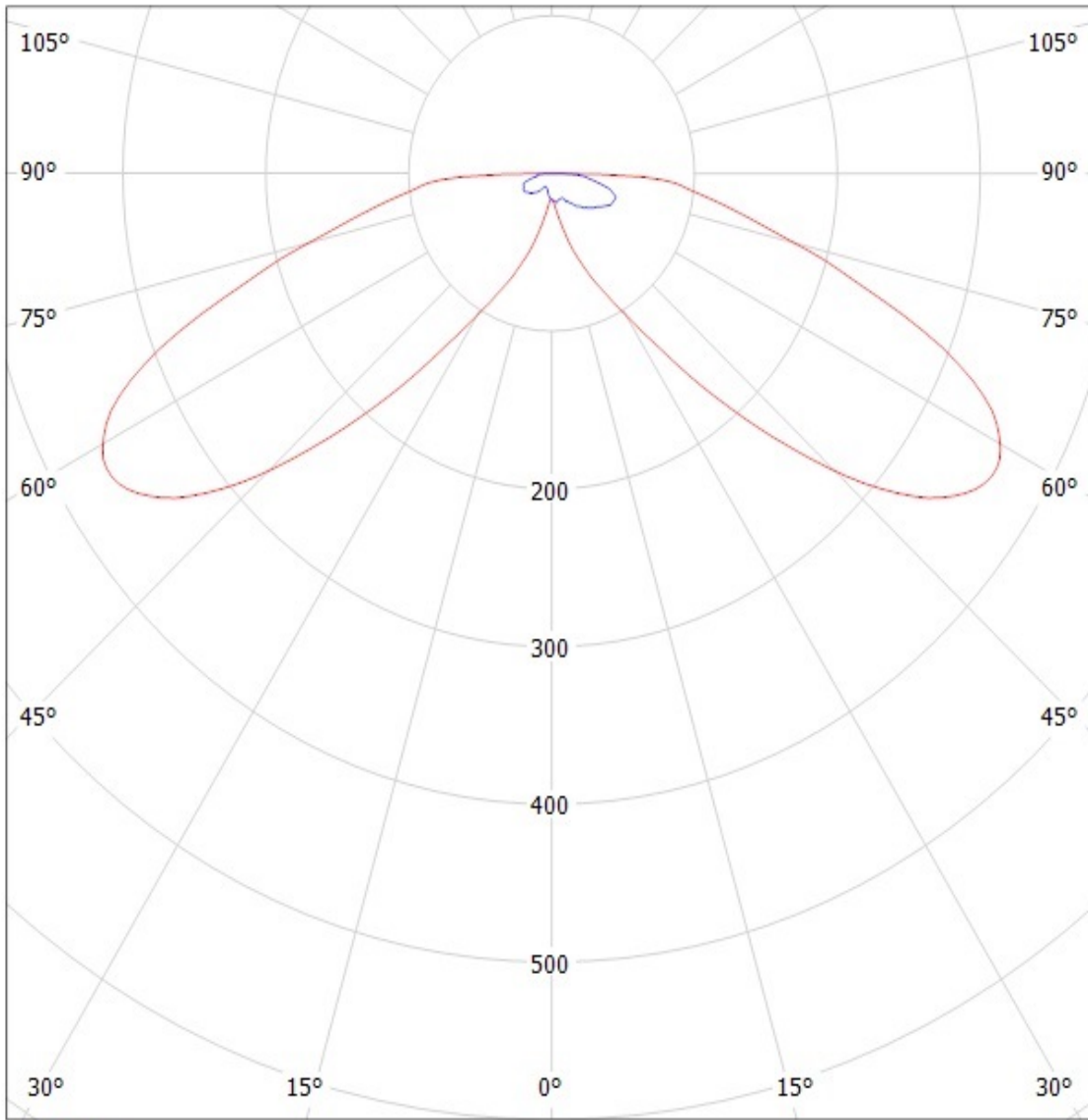
— C90 - C270

SIMULATED

Ledil Oy CA11426_Strada-T-DW-OSL150 LOR=92% / LDC (Polar)

Luminaire: Ledil Oy CA11426_Strada-T-DW-OSL150 LOR=92%

Lamps: 1 x Osram Oslon 150 109lm @ 250mA



cd/klm

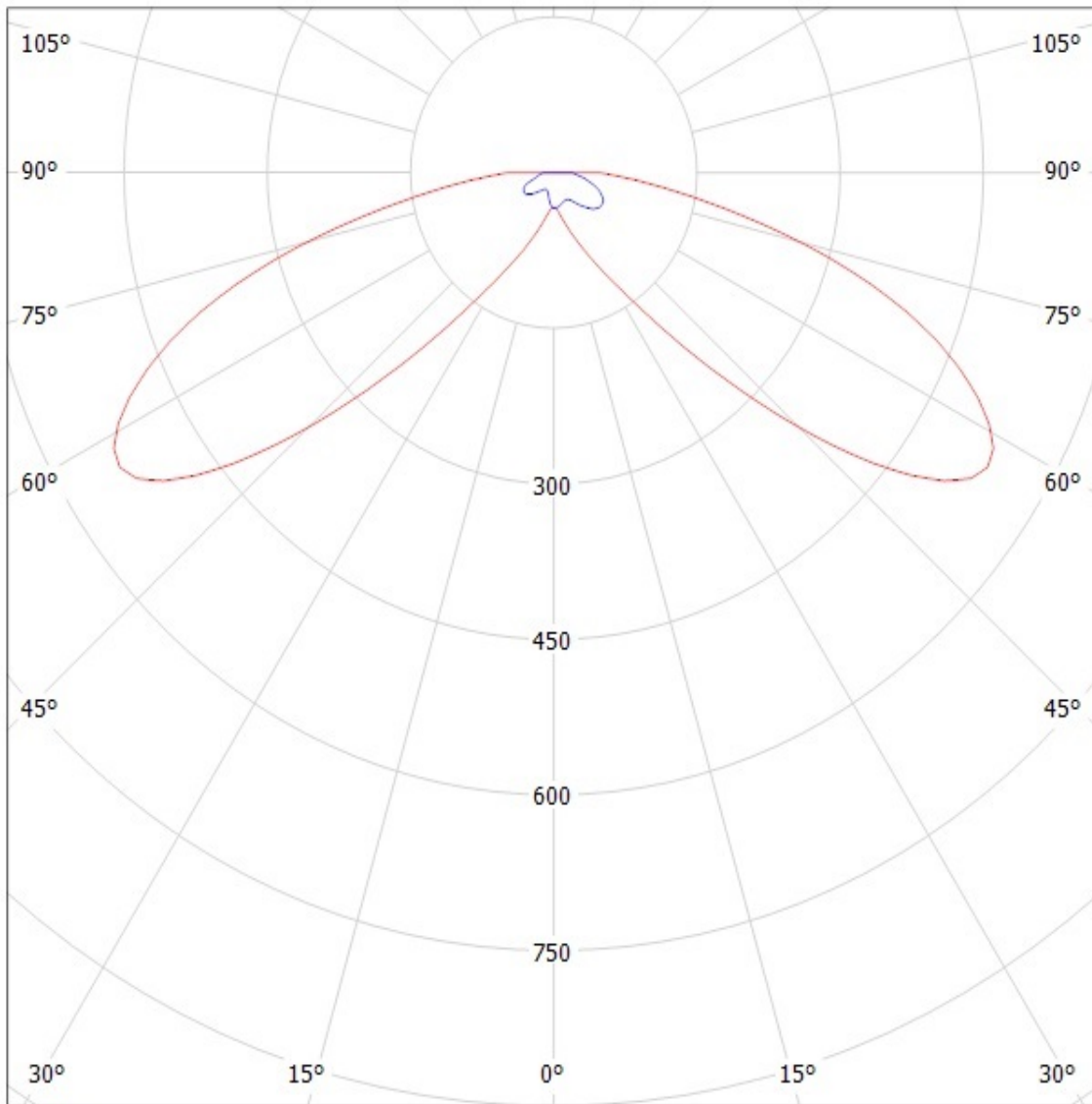
— C0 - C180 — C90 - C270

SIMULATED

Ledil Oy C11425_Strada-T-DW-RE-ES C11425_Strada-T-DW-RE-ES / LDC (Polar)

Luminaire: Ledil Oy C11425_Strada-T-DW-RE-ES C11425_Strada-T-DW-RE-ES

Lamps: 1 x Luxeon Rebel-ES (white)



cd/klm

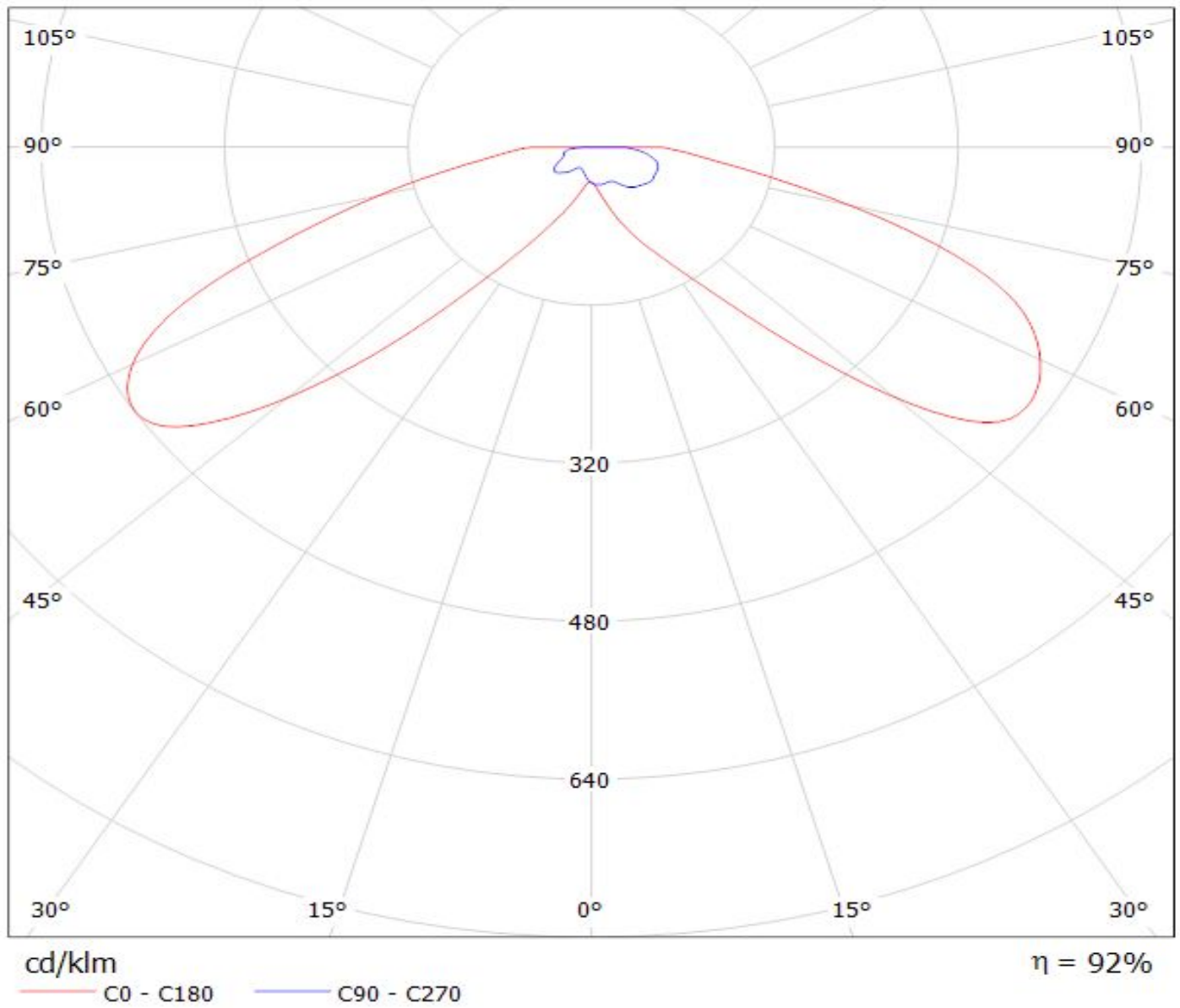
— C0 - C180 — C90 - C270

SIMULATED

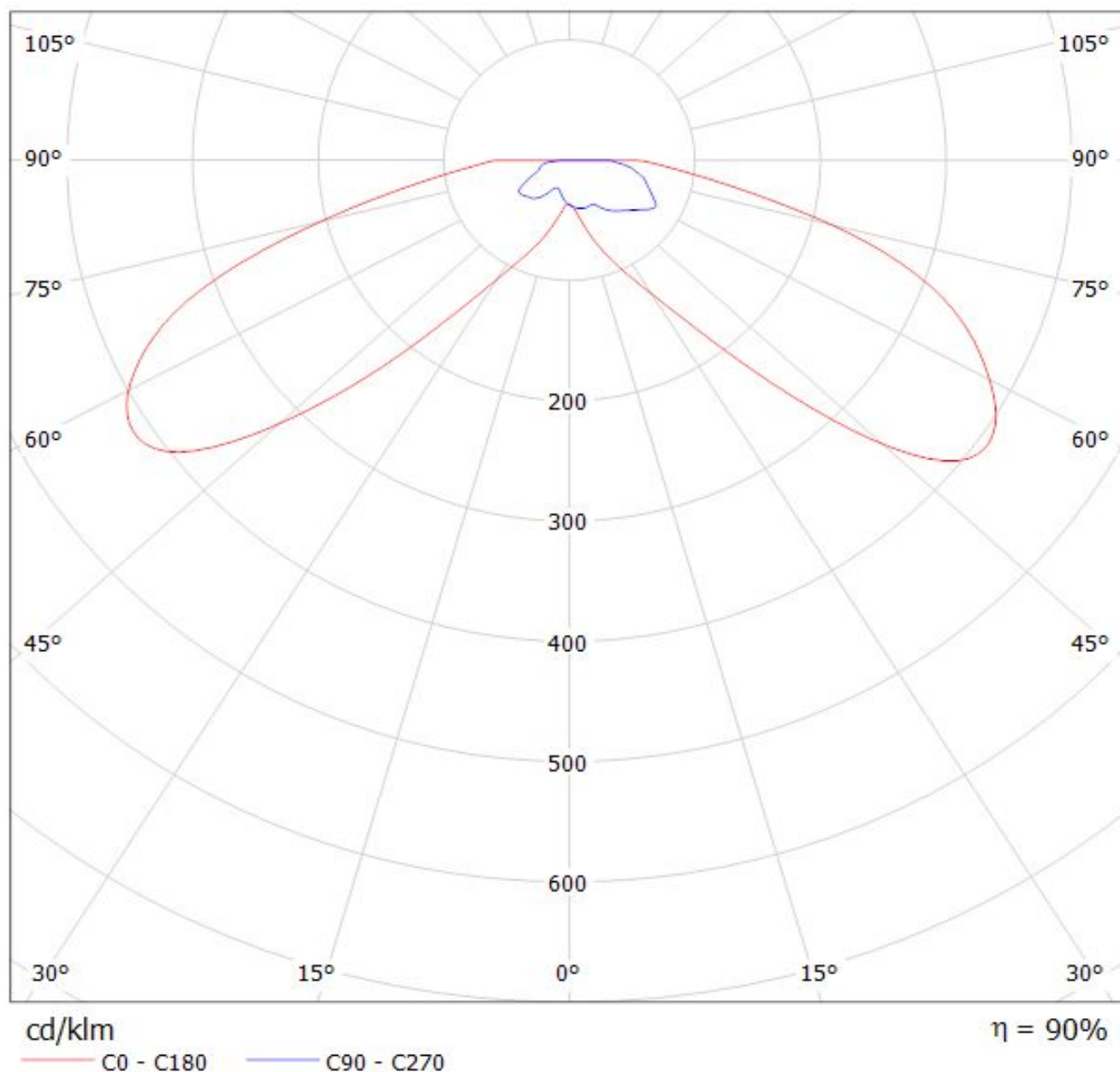
LEDiL Oy CA11426_STRADA-T-DW_(LG3535_2W) Eff.91.7% / LDC (Polar)

Luminaire: LEDiL Oy CA11426_STRADA-T-DW_(LG3535_2W) Eff.91.7%

Lamps: 1 x LG3535_2W (97.3629lm@250mA)



Luminaire: LEDiL Oy CA11426_STRADA-T-DW_(LG3535) Eff. 90,4%
Lamps: 1 x LG Ceramic 3535 PKG (95lm@250mA)



NOTE: The typical divergence will be changed by different color, chip size and chip position tolerance. The typical total divergence is the full angle measured where the luminous intensity is half of the peak value.