

DETAILS

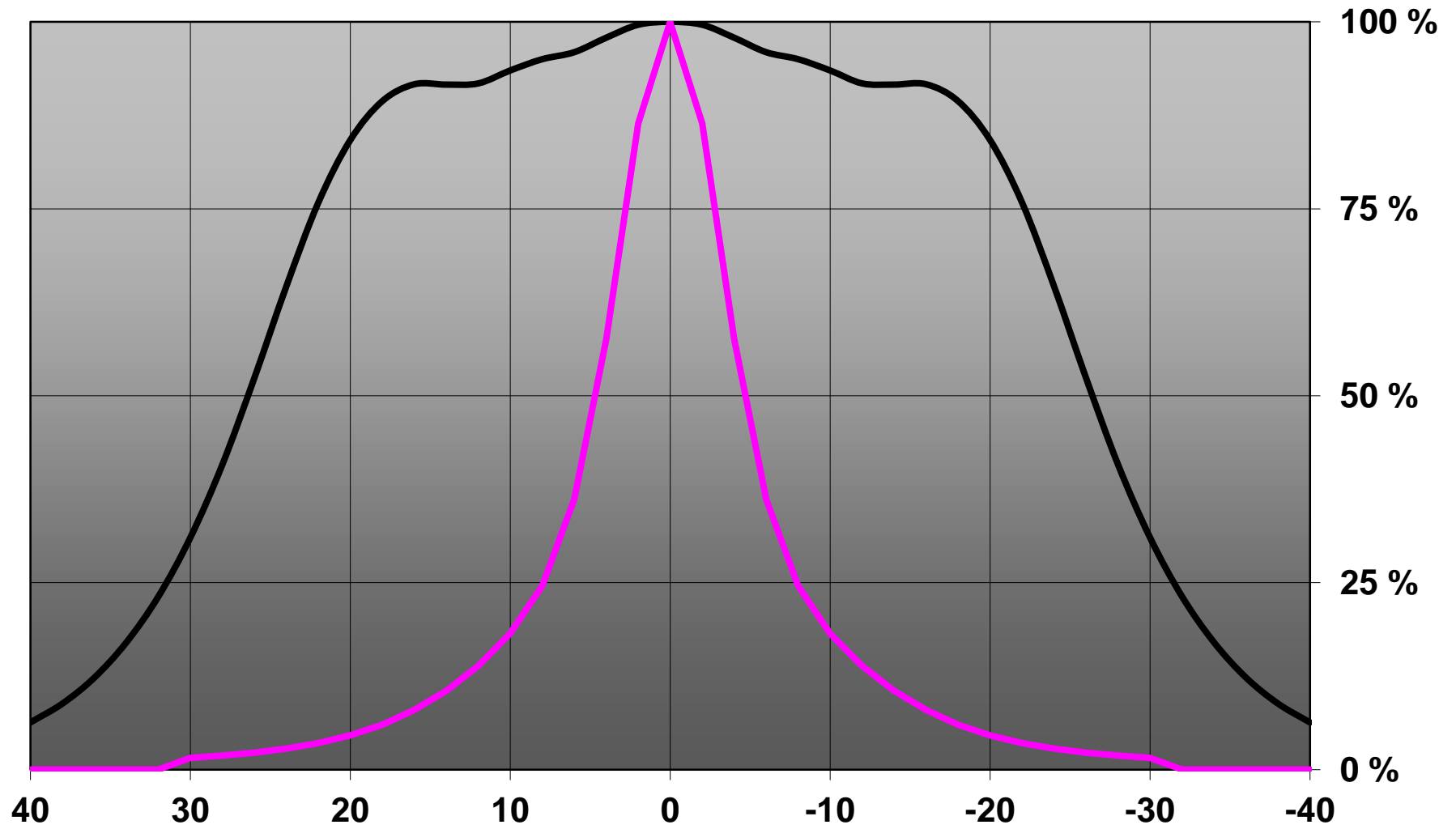
Ordering Number	CA11267_HEIDI-O-90
Family	Heidi
Type	Assembly
Color	clear
Diameter	21,6 mm
Height	12,1 mm
Style	round
Optic Material	PMMA
Holder Material	
Fastening	pin, tape
Status	ready
ROHS Compliant	Yes
Date Updated	5/09/2013



OPTICAL PROPERTIES

LED	Viewing Angle	Light Beam	Efficiency	cd/lm
Z5	8+50 degrees		86 %	4.900
XP-E	9+50 degrees		87 %	4.200
Oslon SSL 80	9+42 degrees		83 %	4.300
Oslon SSL 150	9+48 degrees		86 %	4.700
XP-E2	9+55 degrees		84 %	4.600

Relative Intensity of CA11267_Heidi-O-90-RE



D

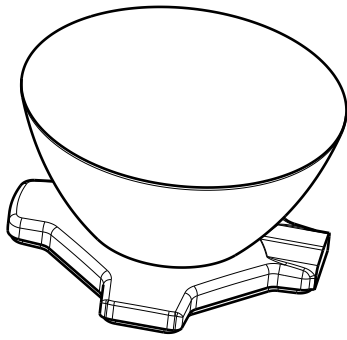
C

B

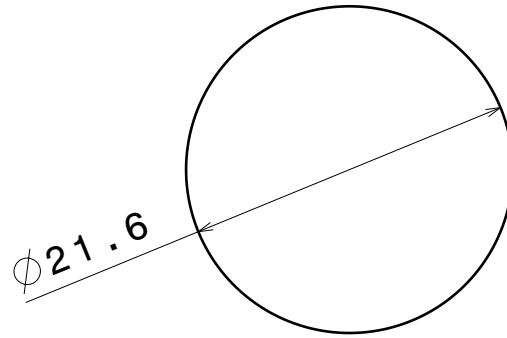
A

4

4



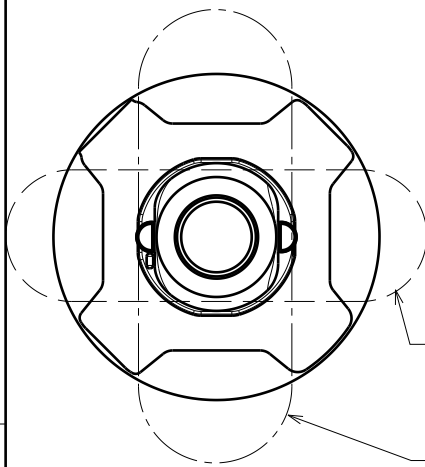
Isometric view



Top view

3

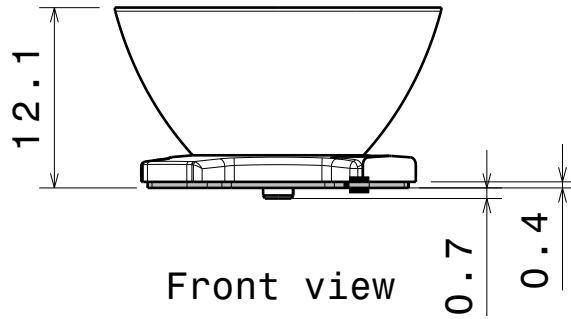
3



Bottom view

Heidi-0

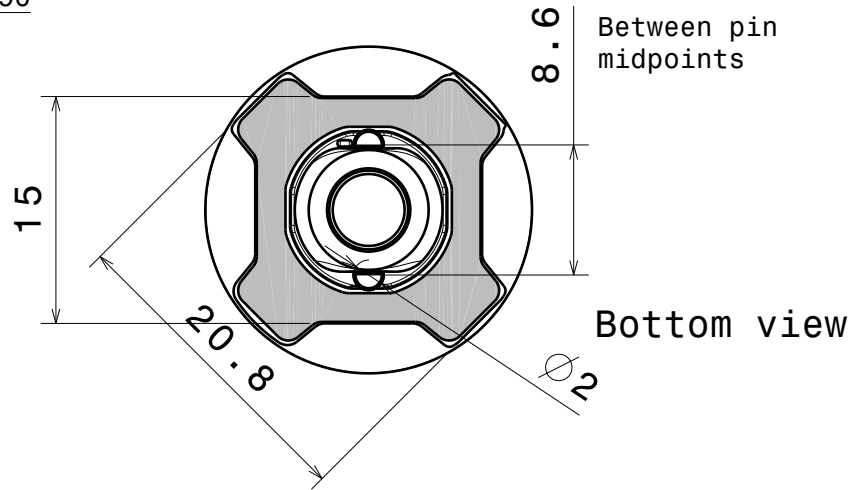
Heidi-0-90



Front view

2

2



Bottom view

Material:
 Lens PMMA
 Tape PU Foam

This drawing is our property.
 It can't be reproduced
 or communicated without
 our written agreement.



Ledi1 Oy
 Salorankatu 10
 FIN-24100 SALO
 Finland

DRAWING TITLE

Datasheet Heidi-0 assy

DRAWN BY

jp

DATE

3.9.2013

CHECKED BY

DATE

SIZE

A4

DRAWING NUMBER

REV

001

DESIGNED BY

DATE

SCALE

2:1

WEIGHT (g)

SHEET

1/1

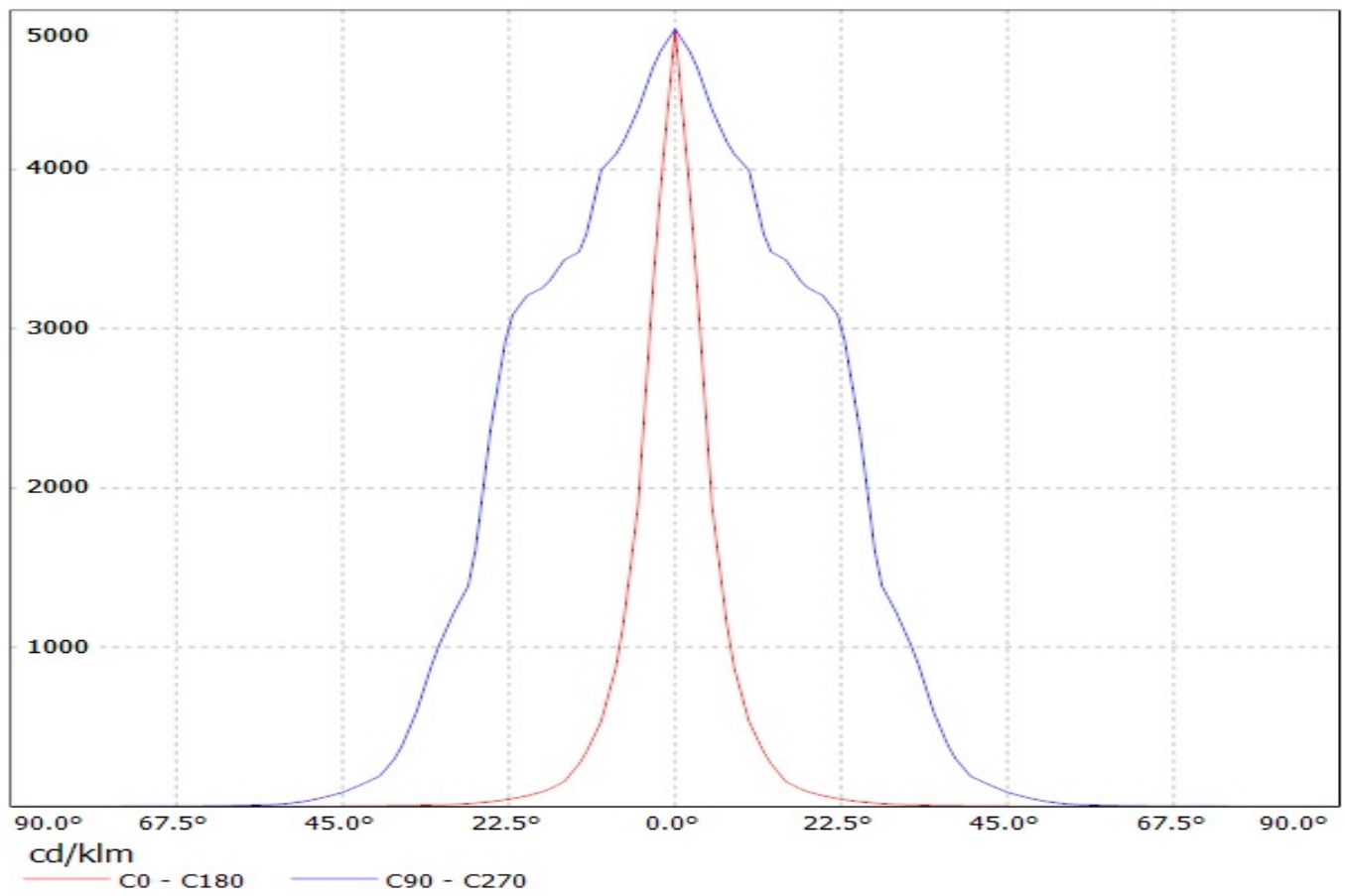
D

A

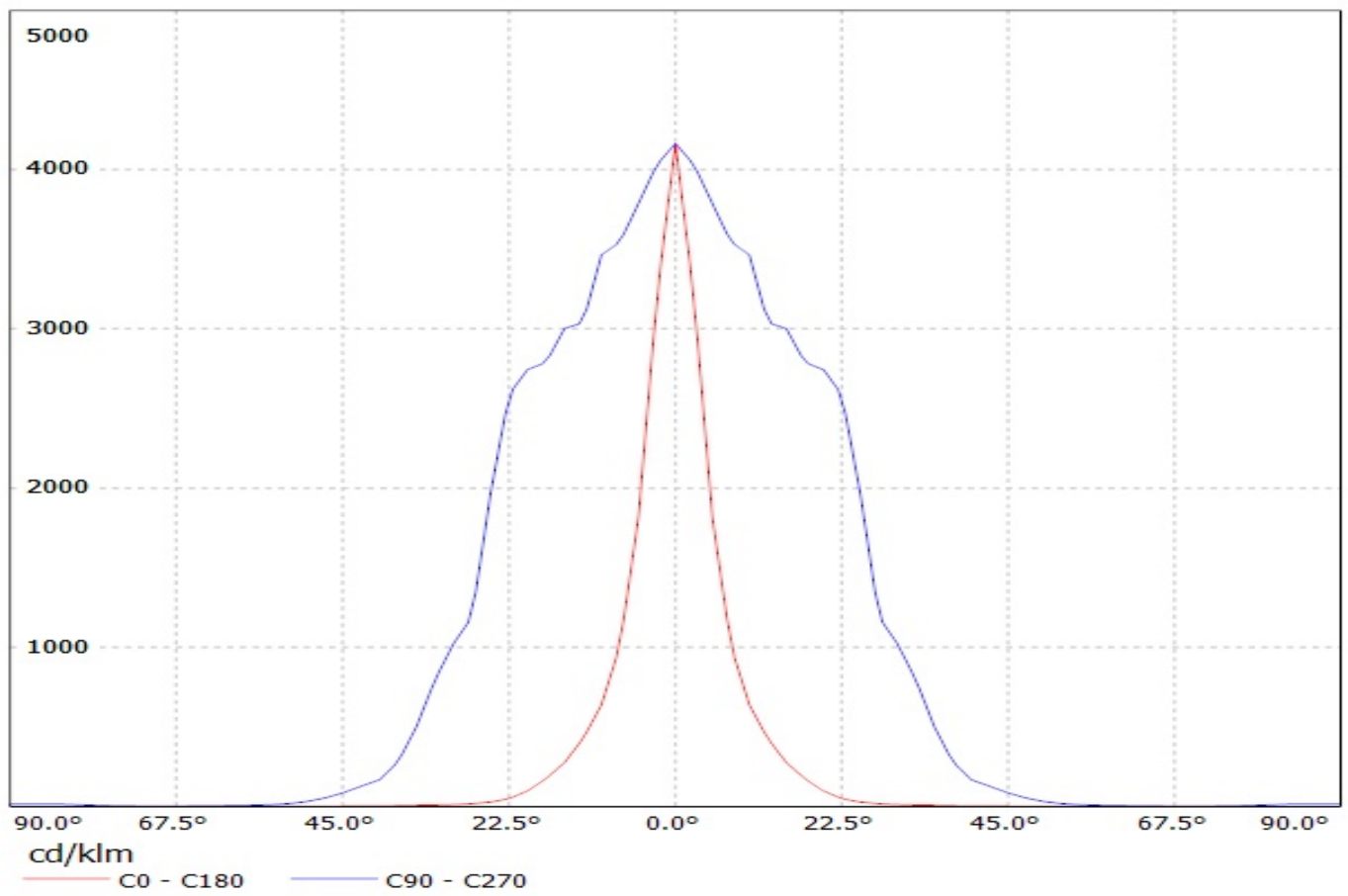
1

1

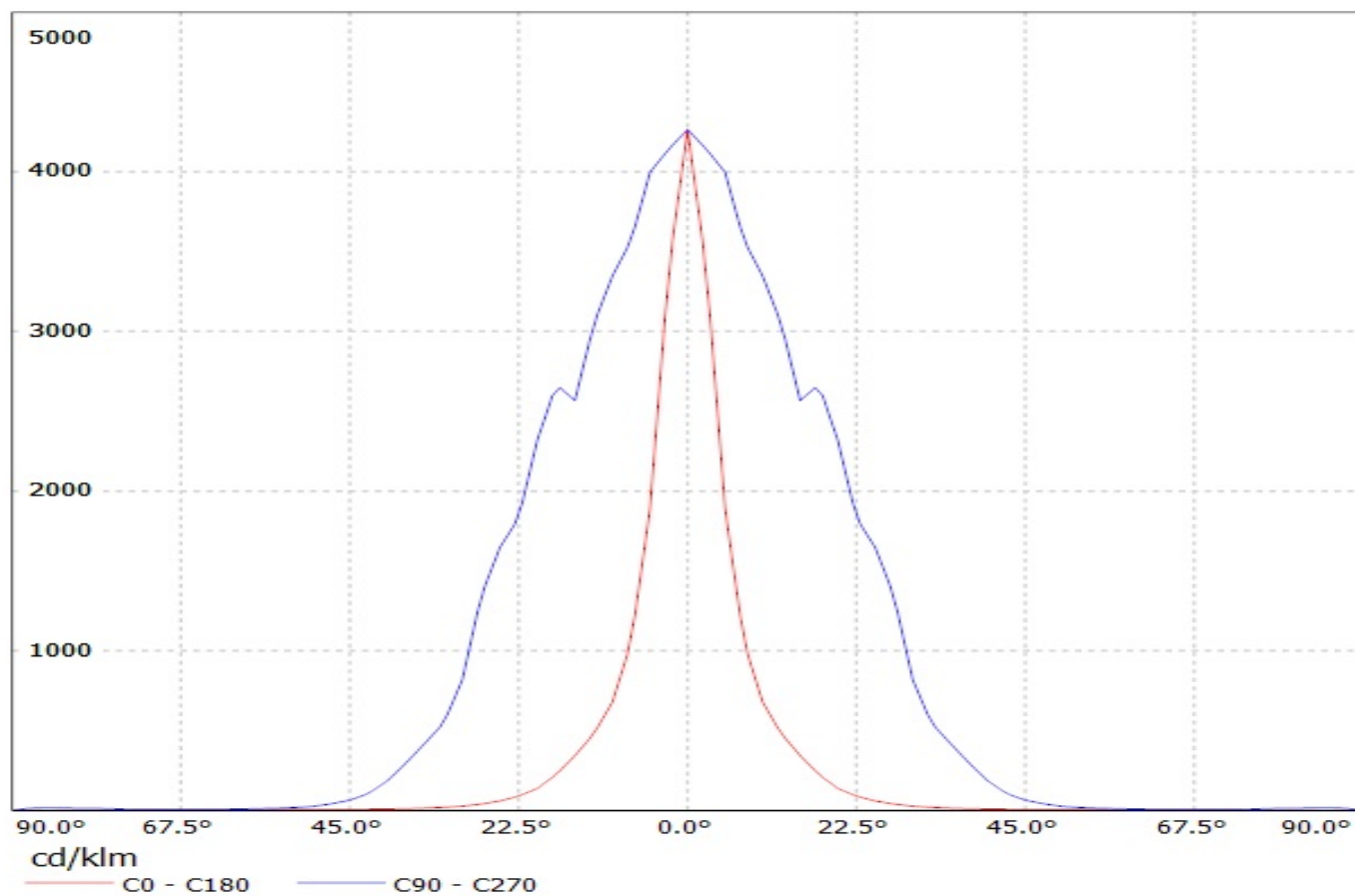
Luminaire: Ledil Oy CA11267_HEIDI-O-90 (Seol Z5 68lm @ 250mA) Efficiency=86%
Lamps: 1 x Seol Z5 68lm @ 250mA



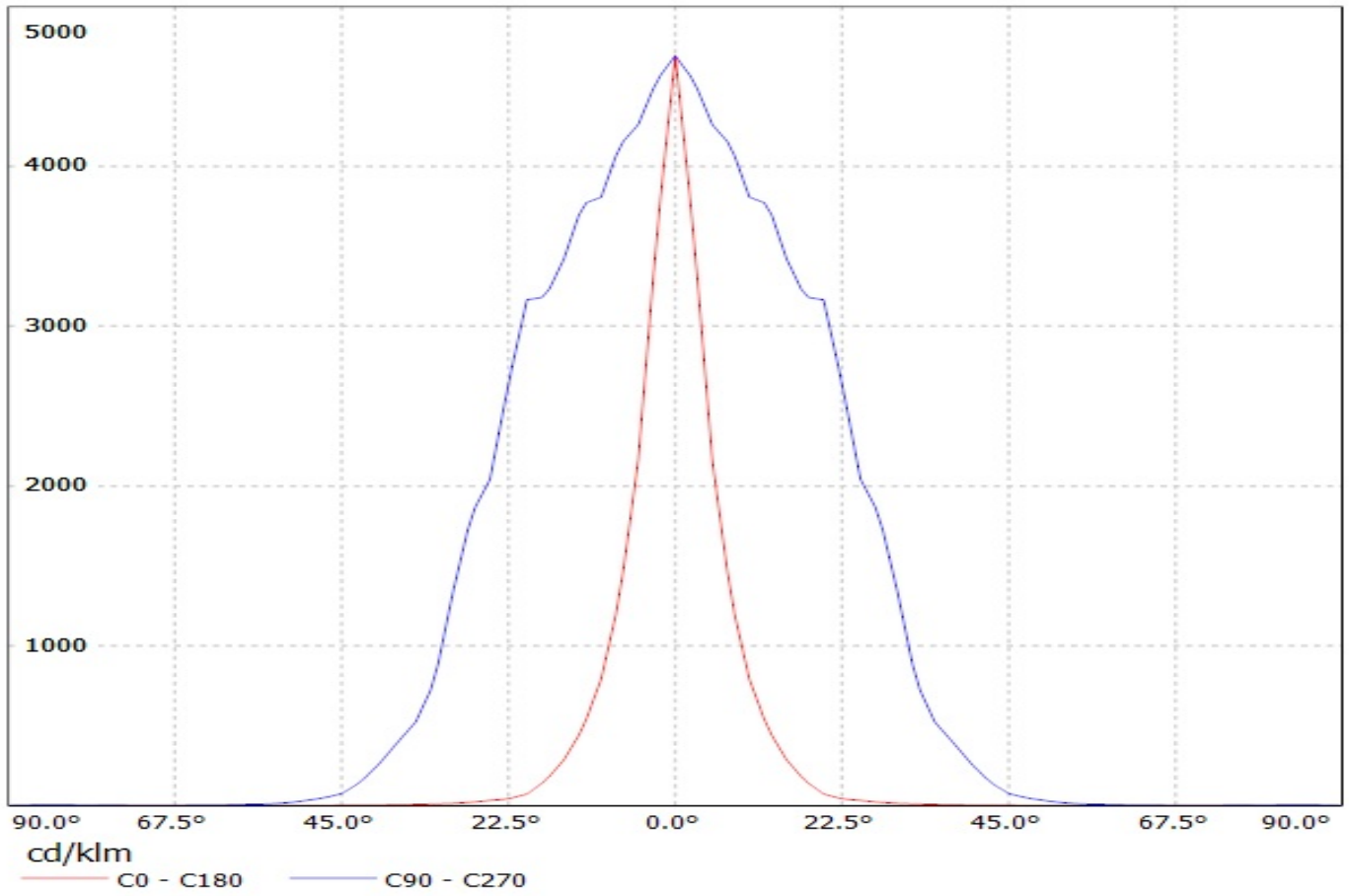
Luminaire: Ledil Oy CA11267_HEIDI-O-90 (Cree XP-E 76lm @ 250mA) Efficiency=87%
Lamps: 1 x Cree XP-E 76lm @ 250mA



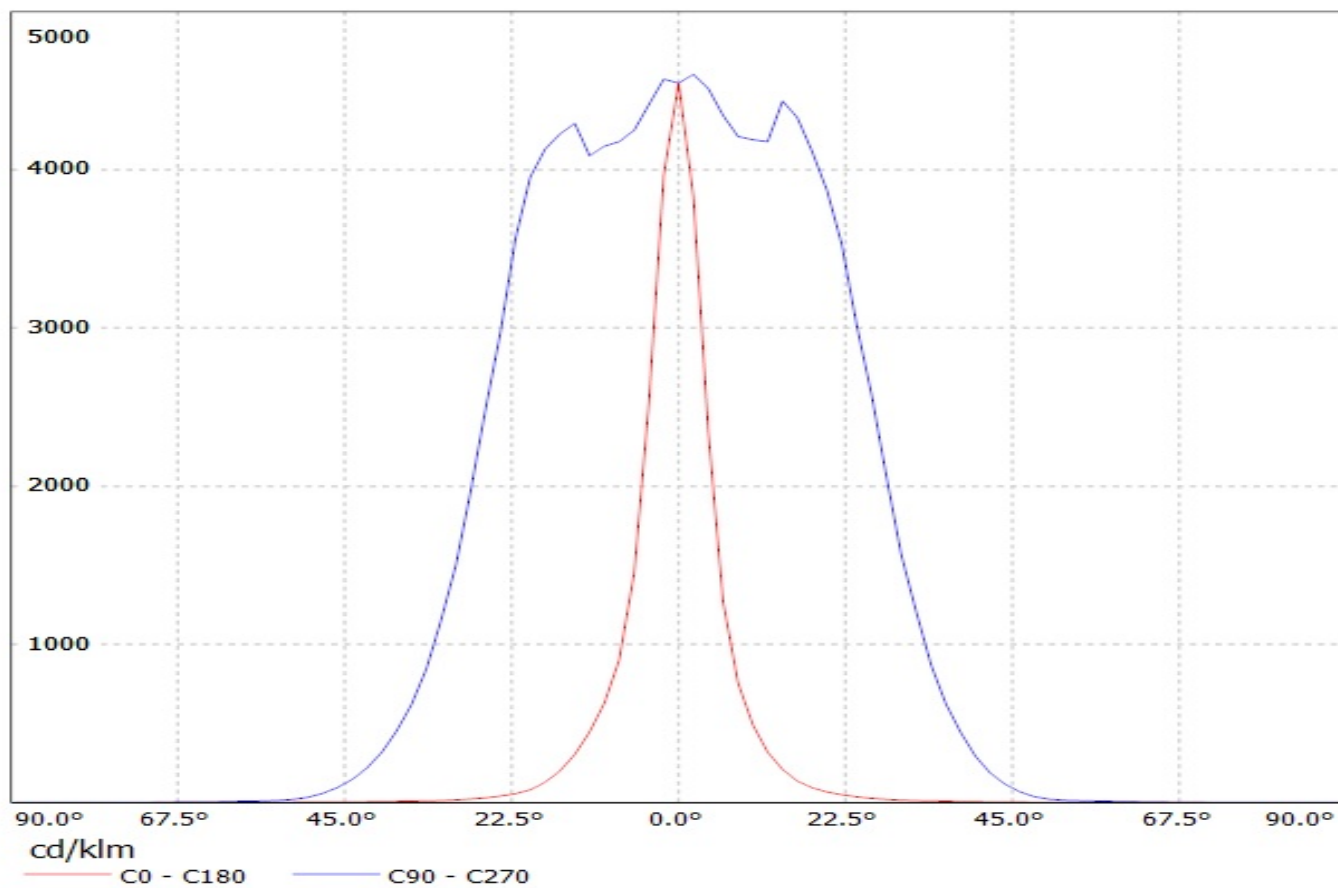
Luminaire: Ledil Oy CA11267_HEIDI-O-90 (Osram Oslon 80dg 85lm @ 250mA) Efficiency=83%
Lamps: 1 x Osram Oslon 80dg 85lm @ 250mA



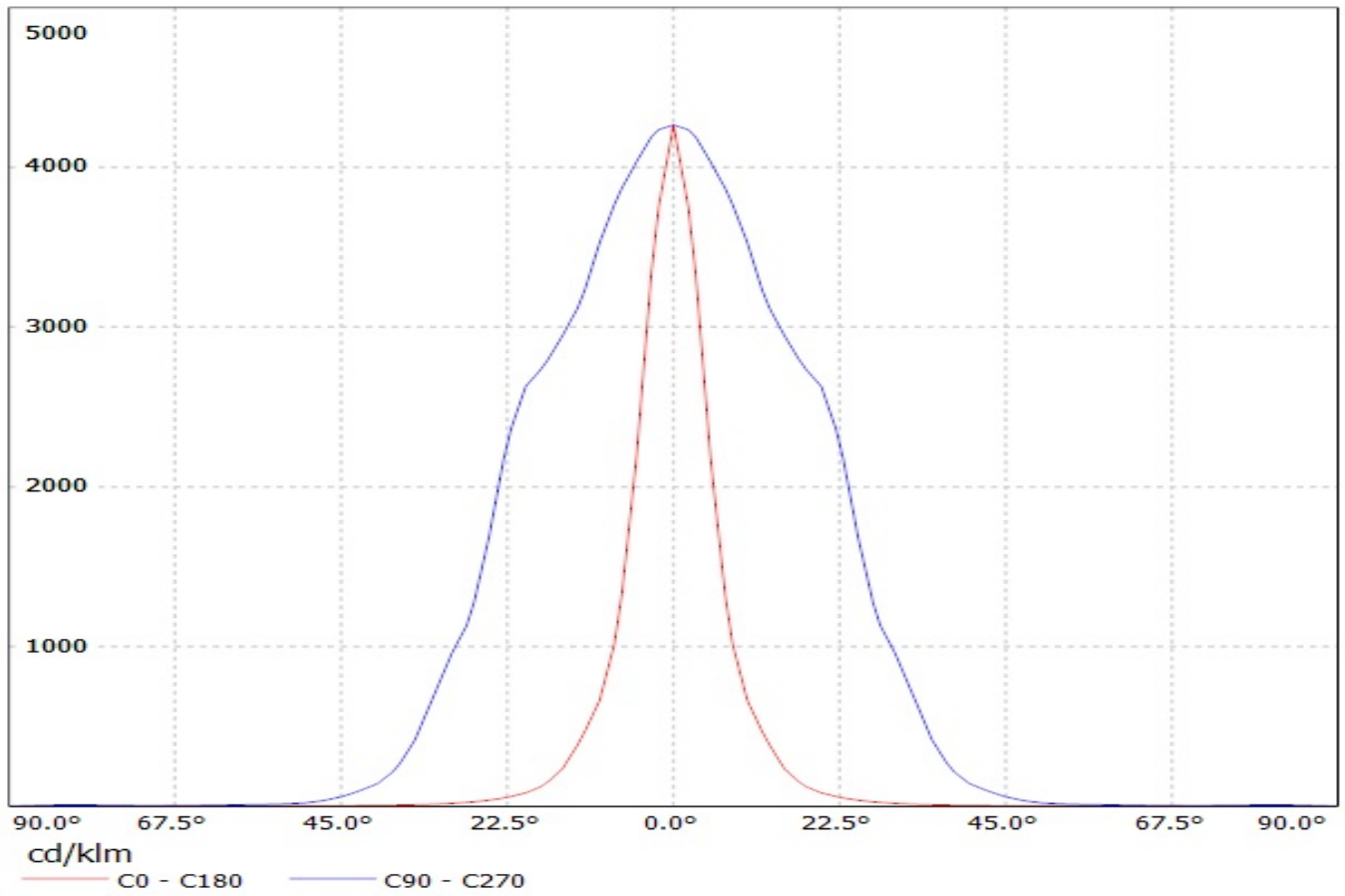
Luminaire: Ledil Oy CA11267_HEIDI-O-90 (Osram Oslon 150dg 72lm @ 250mA) Efficiency=86%
Lamps: 1 x Osram Oslon 150dg 72lm @ 250mA



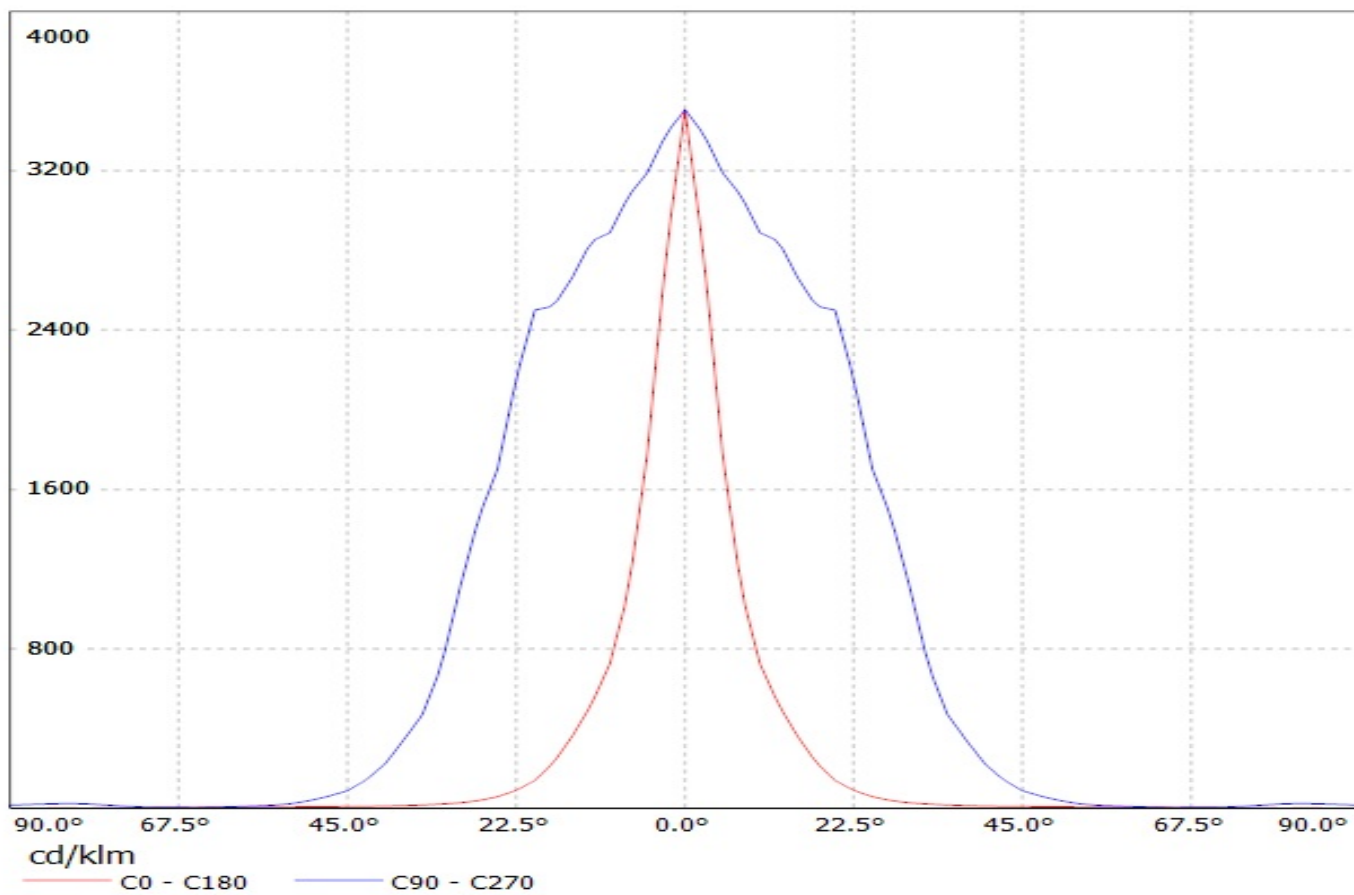
Luminaire: Ledil Oy CA11267_HEIDI-O-90_(XP-E2) Efficiency=84%
Lamps: 1 x Cree XP-E2 (92lm @ 250mA) CCT=5500K P=0.8W I=250mA



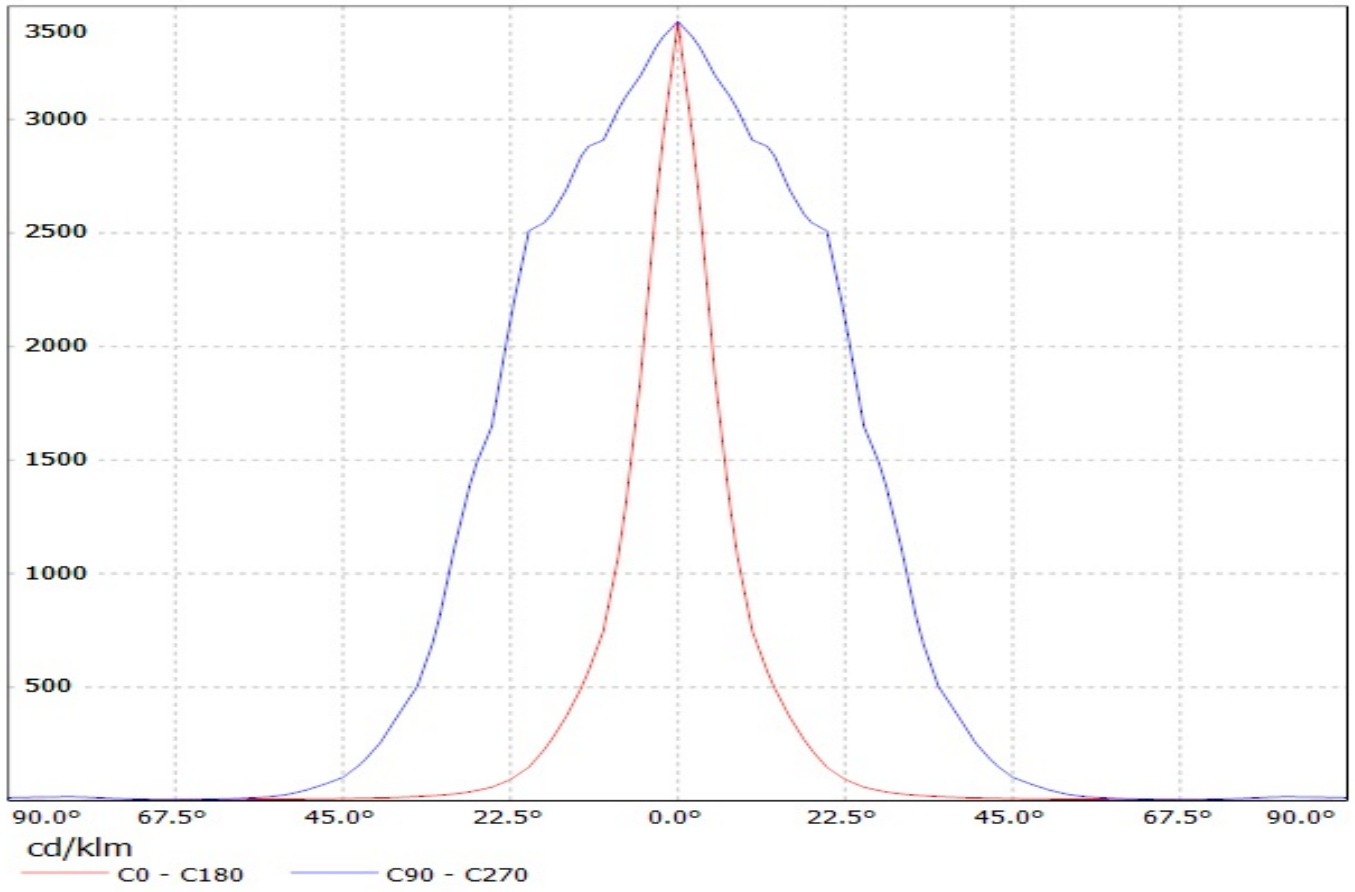
Luminaire: Ledil Oy CA11267_HEIDI-O-90 (Luxeon Rebel 82lm @ 250mA) Efficiency=84%
Lamps: 1 x Luxeon Rebel 82lm @ 250mA



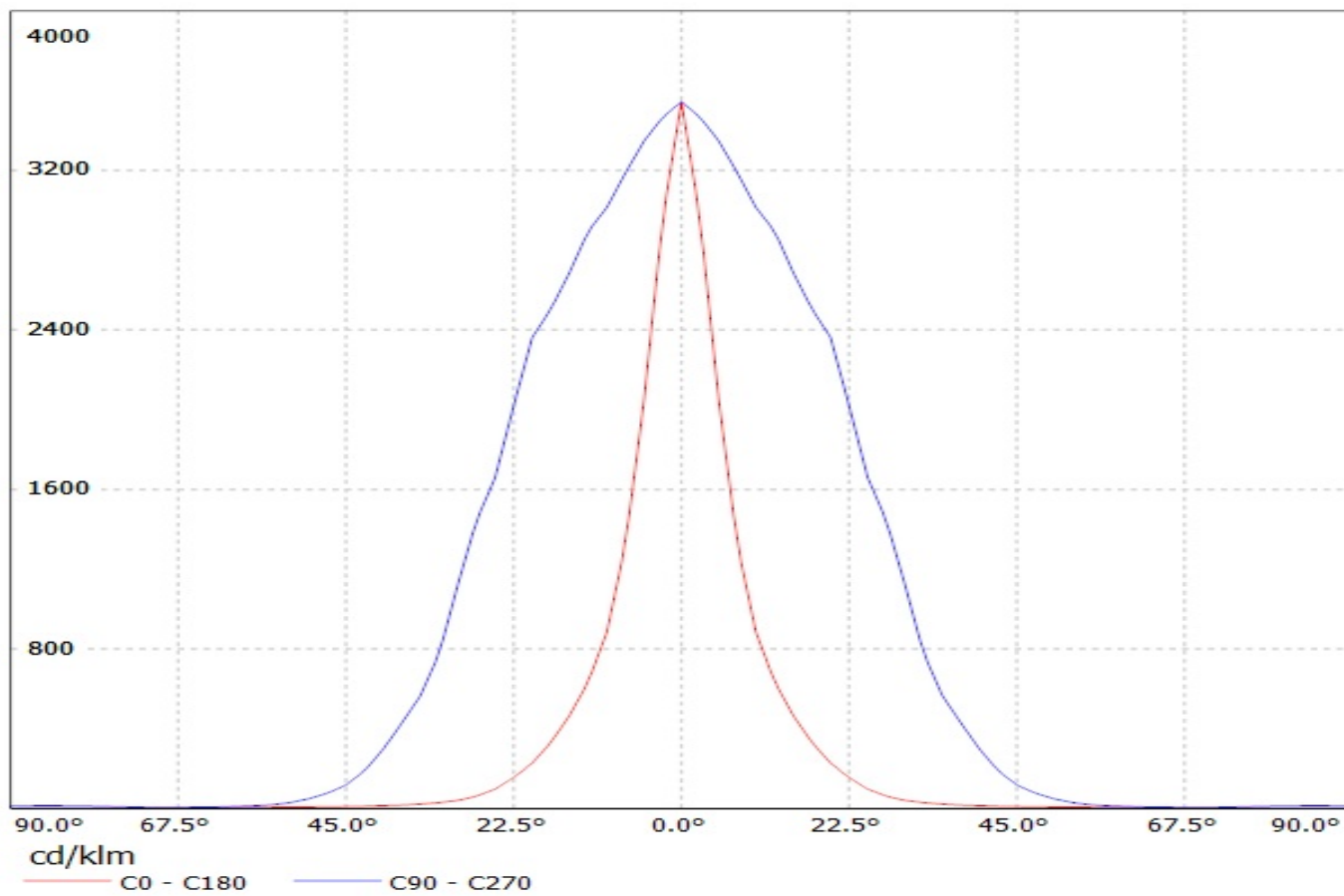
Luminaire: Ledil Oy CA11267_HEIDI-O-90 (Nichia NCS19 95lm @ 250mA) Efficiency=82%
Lamps: 1 x Nichia NCS19 95lm @ 250mA



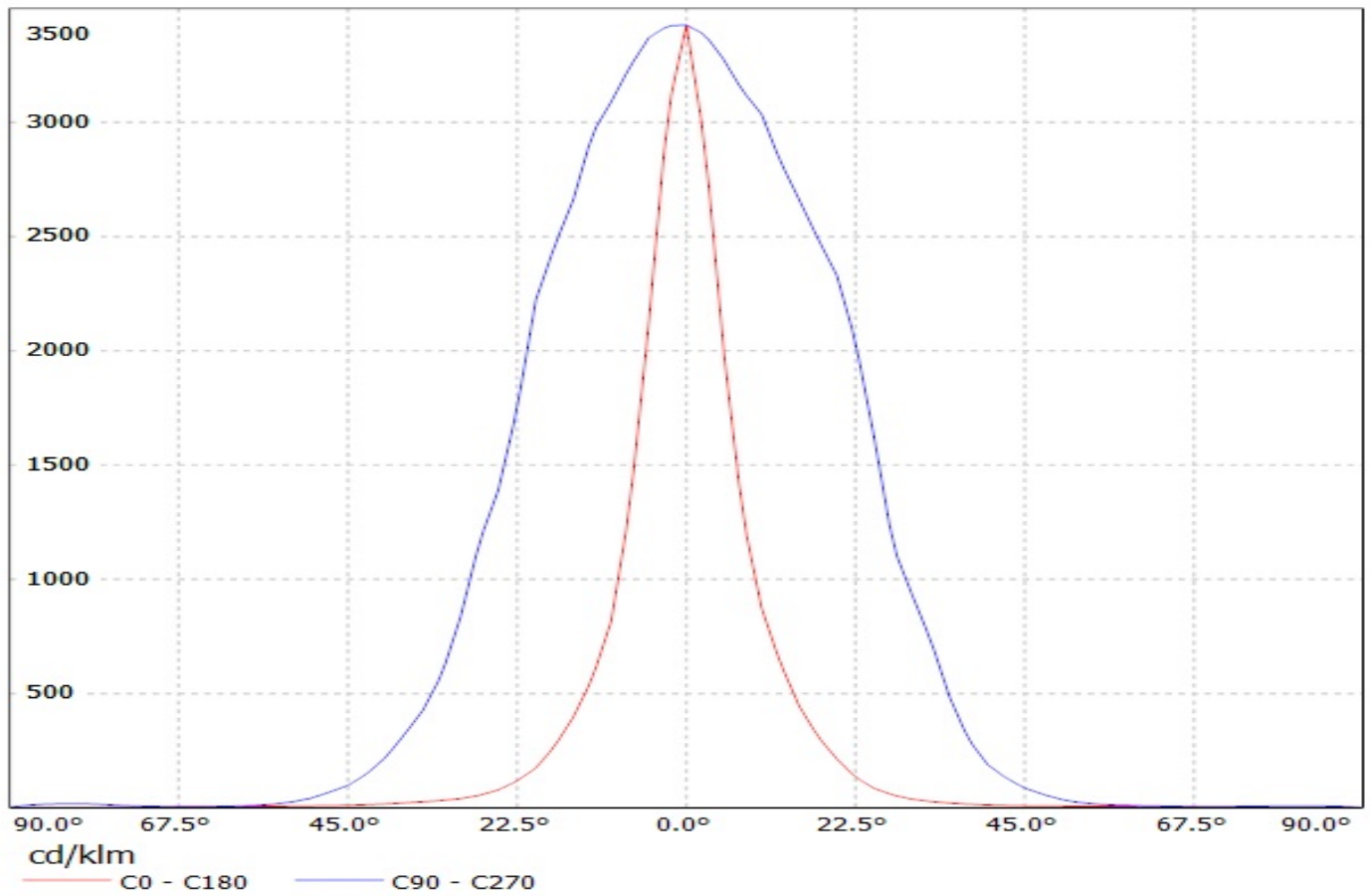
Luminaire: Ledil Oy CA11267_HEIDI-O-90 (Nichia NVS19 91lm @ 250mA) Efficiency=82%
Lamps: 1 x Nichia NVS19 91lm @ 250mA



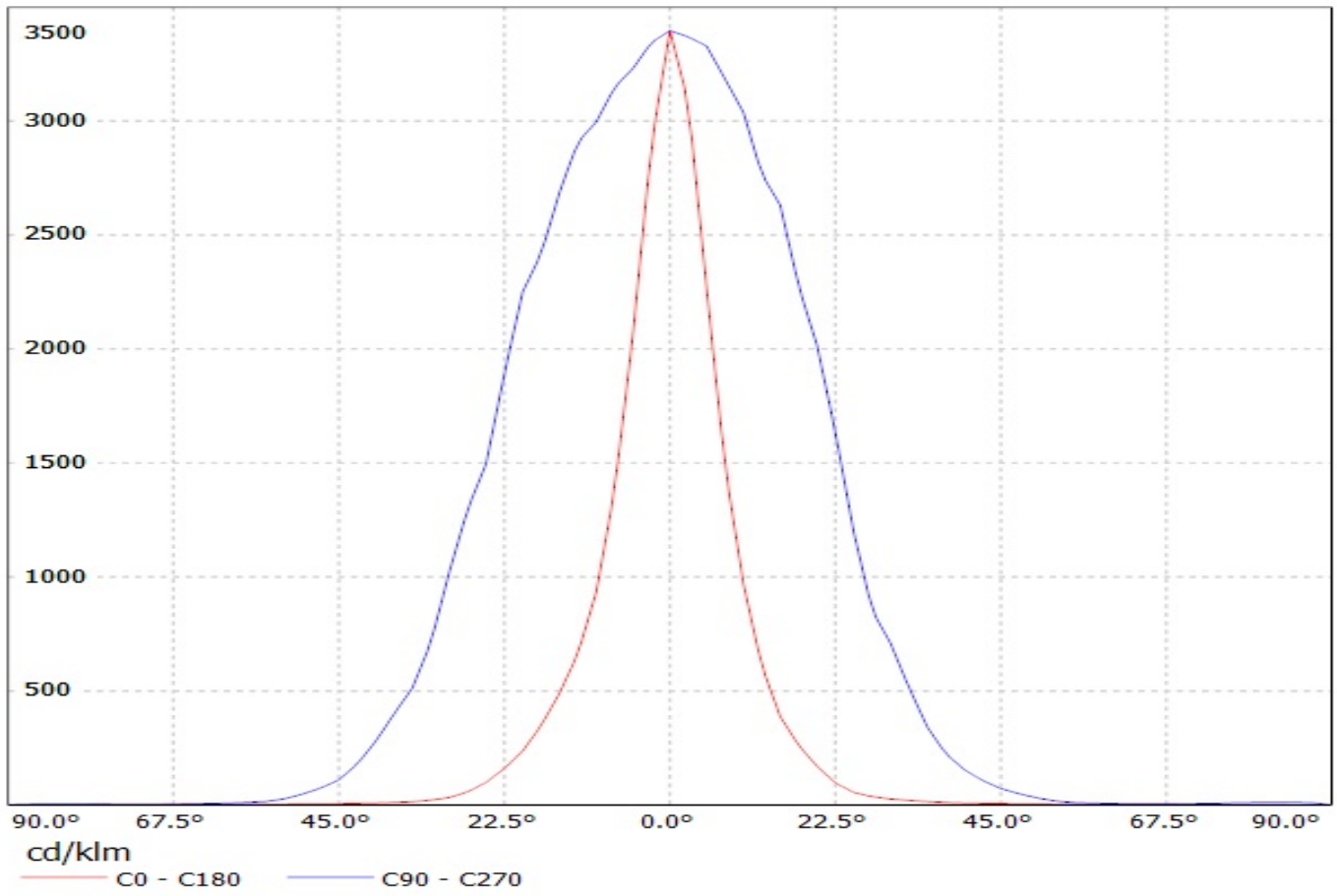
Luminaire: Ledil Oy CA11267_HEIDI-O-90 (Cree XB-D 97lm @ 250mA) Efficiency=87%
Lamps: 1 x Cree XB-D 97lm @ 250mA



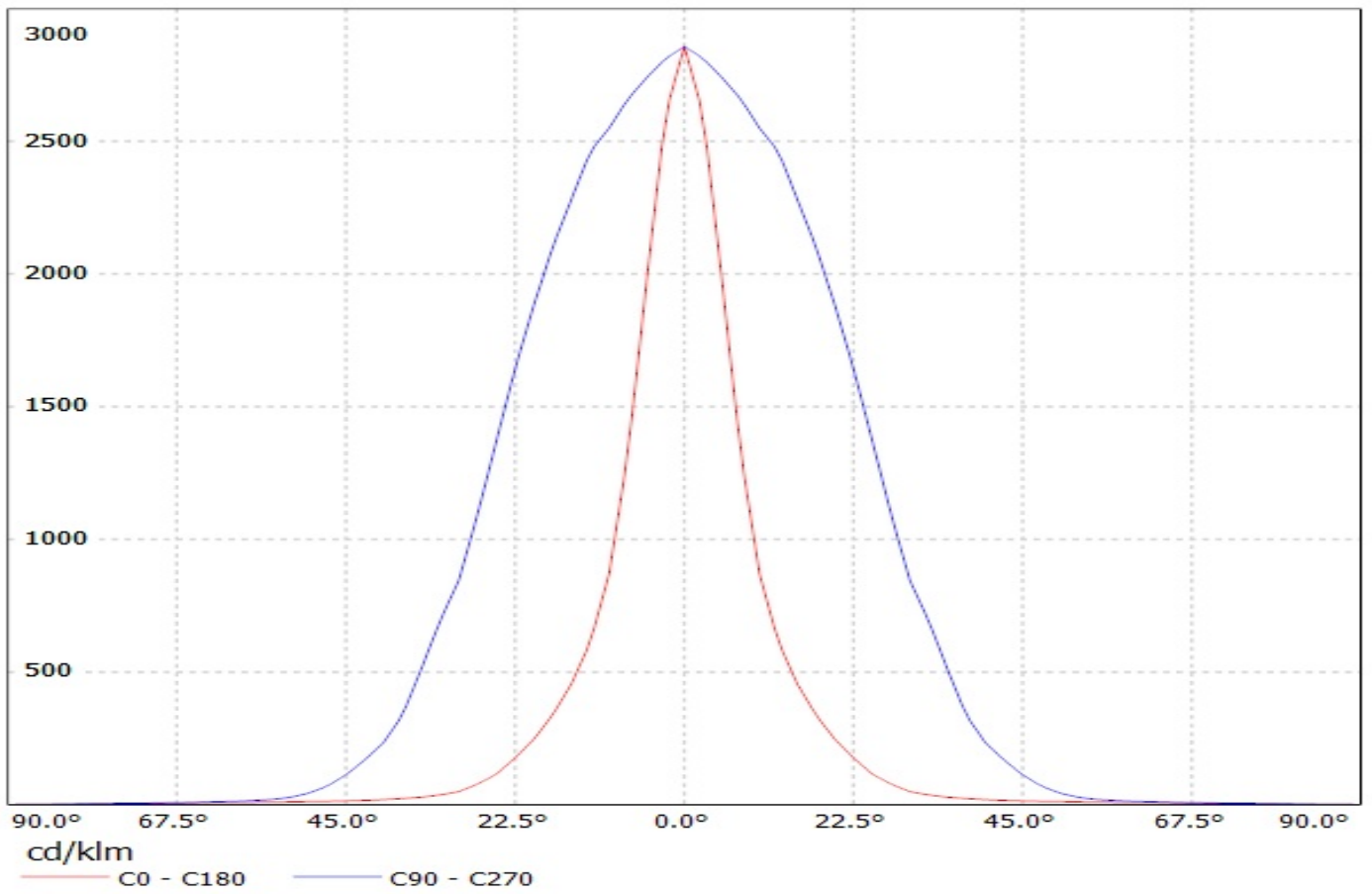
Luminaire: Ledil Oy CA11267_HEIDI-O-90 (Osram Square EC 69lm @ 250mA) Efficiency=86%
Lamps: 1 x Osram Square EC 69lm @ 250mA



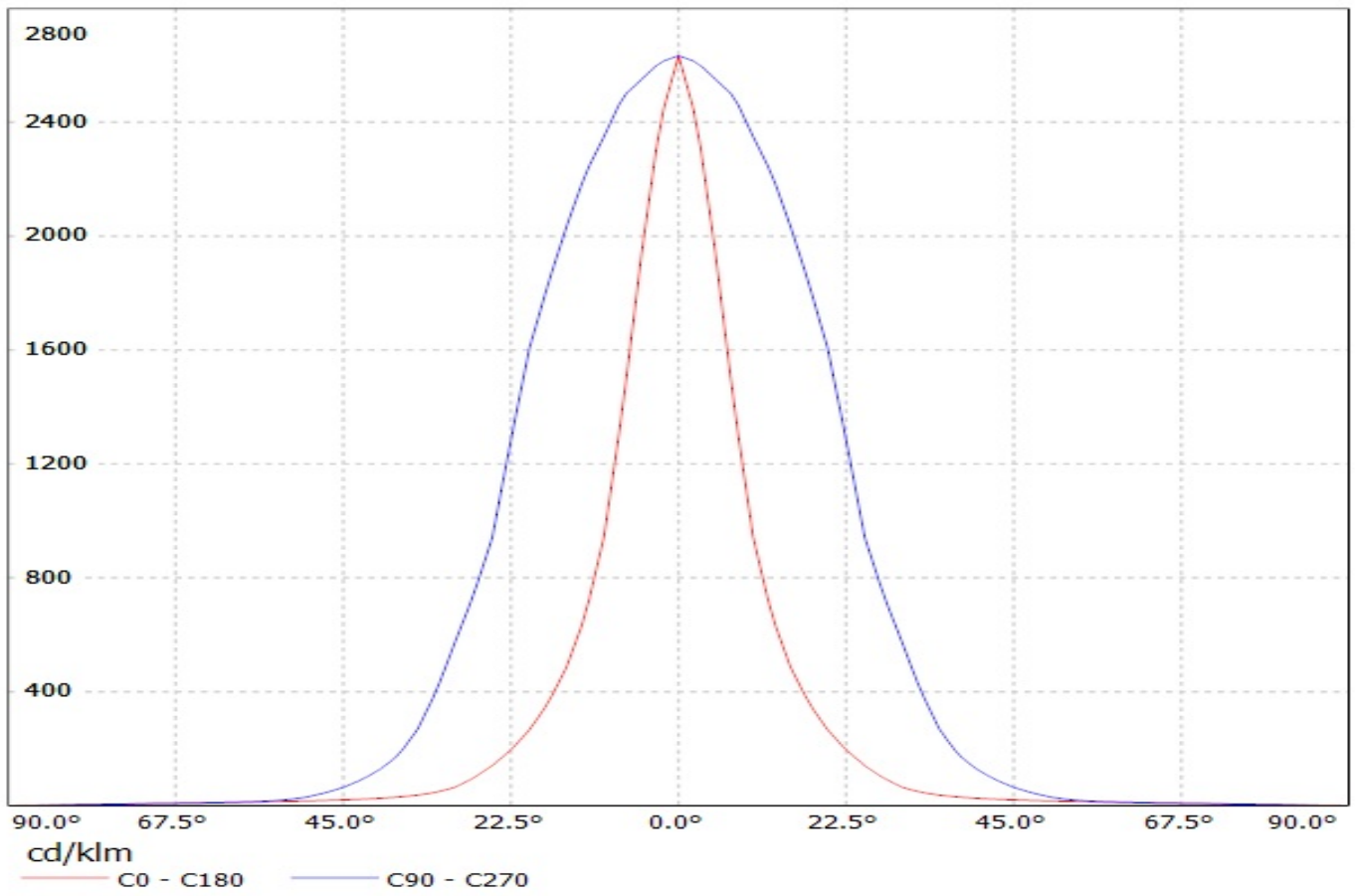
Luminaire: Ledil Oy CA11267_HEIDI-O-90 (Cree XP-G 87lm @ 250mA) Efficiency=87%
Lamps: 1 x Cree XP-G 87lm @ 250mA



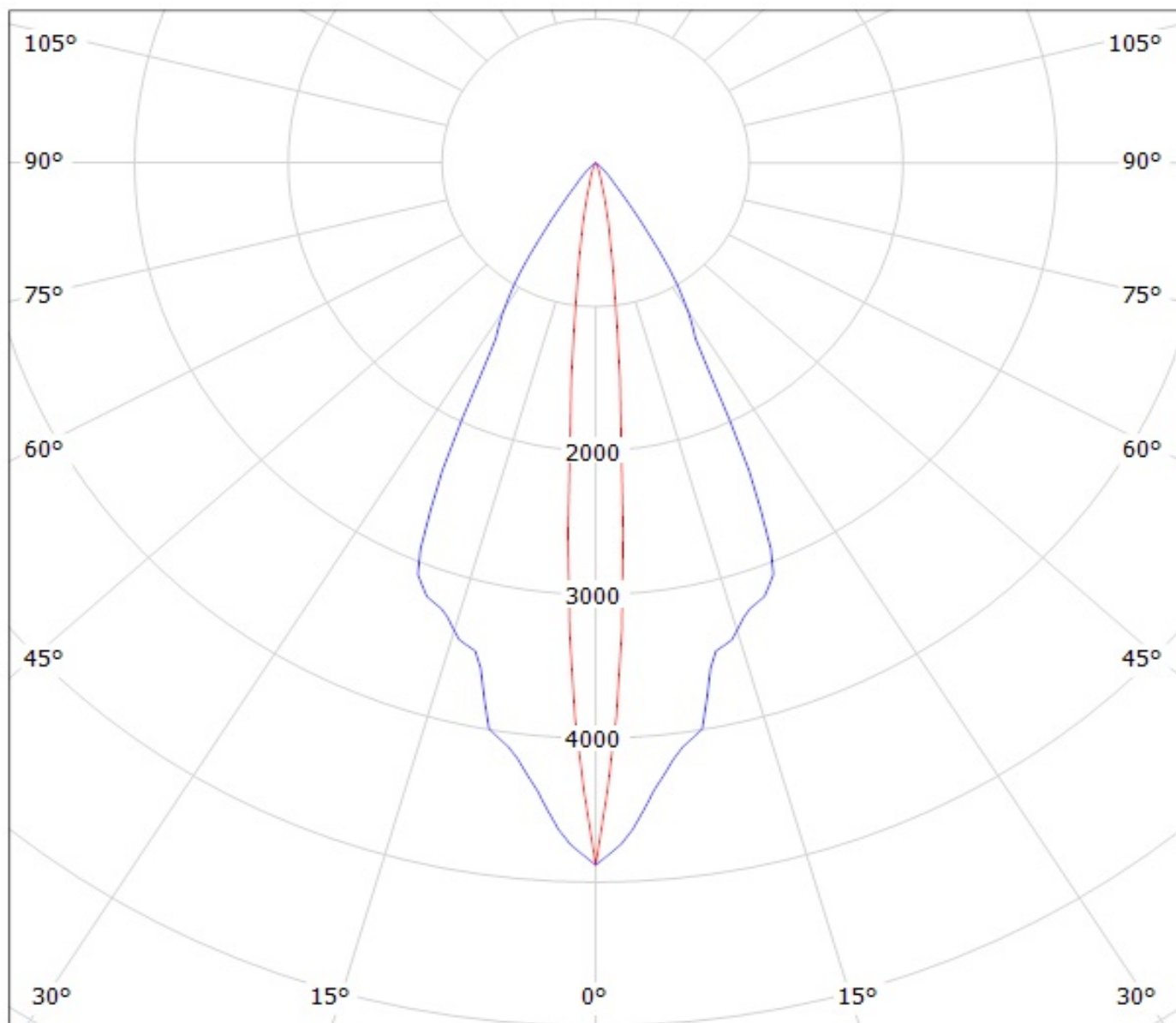
Luminaire: Ledil Oy CA11267_HEIDI-O-90 (Nichia 219B 109lm @ 250mA) Efficiency=85%
Lamps: 1 x Nichia 219B 109lm @ 250mA



Luminaire: Ledil Oy CA11267_HEIDI-O-90 (Sharp Double Dome 76lm @ 250mA) Efficiency=82%
Lamps: 1 x Sharp Double Dome 76lm @ 250mA



Luminaire: Ledil Oy CA11267_HEIDI-O-90 (Seol Z5 68lm @ 250mA) Efficiency=86%
Lamps: 1 x Seol Z5 68lm @ 250mA

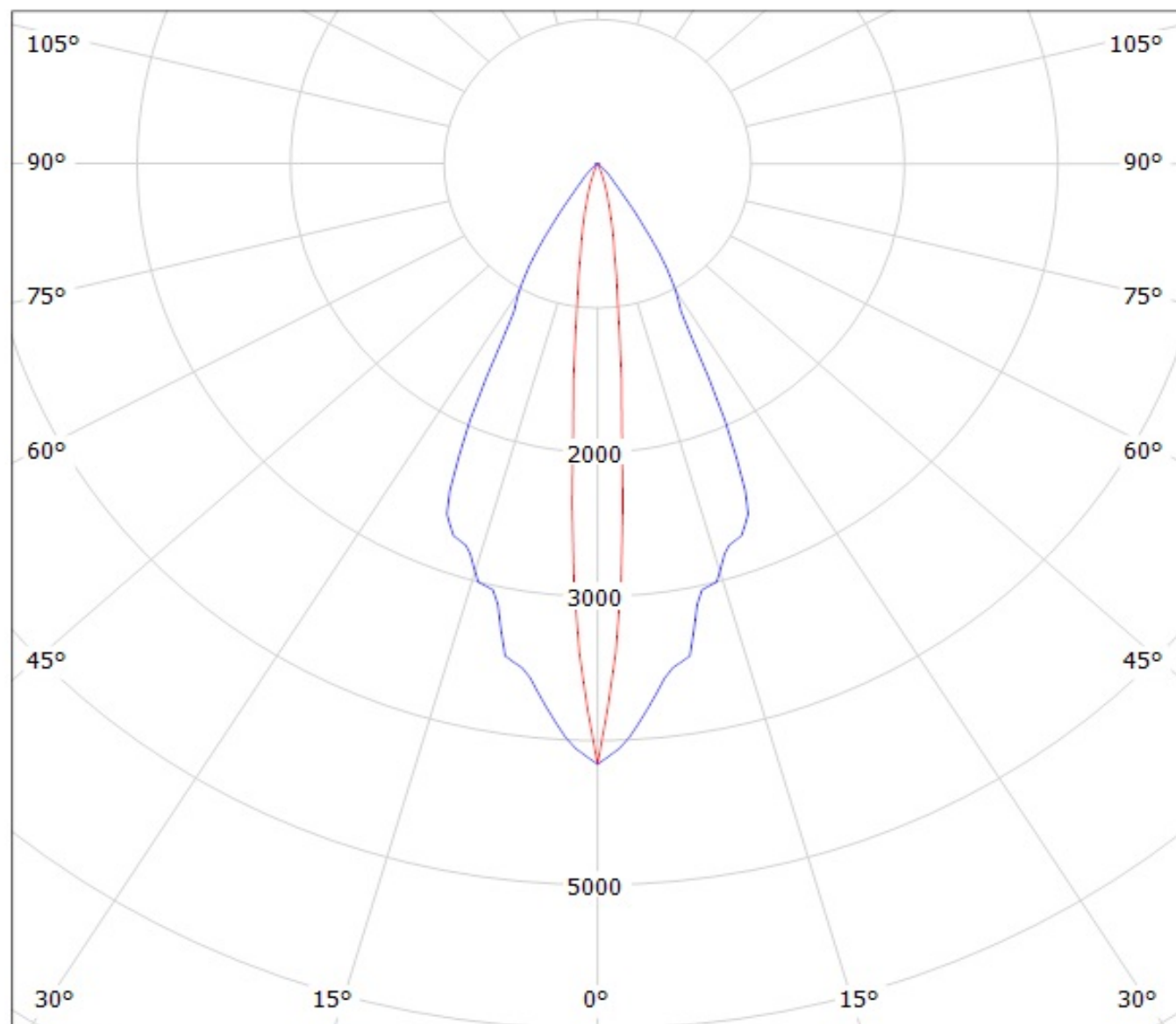


cd/klm

— C0 - C180

— C90 - C270

Luminaire: Ledil Oy CA11267_HEIDI-O-90 (Cree XP-E 76lm @ 250mA) Efficiency=87%
Lamps: 1 x Cree XP-E 76lm @ 250mA

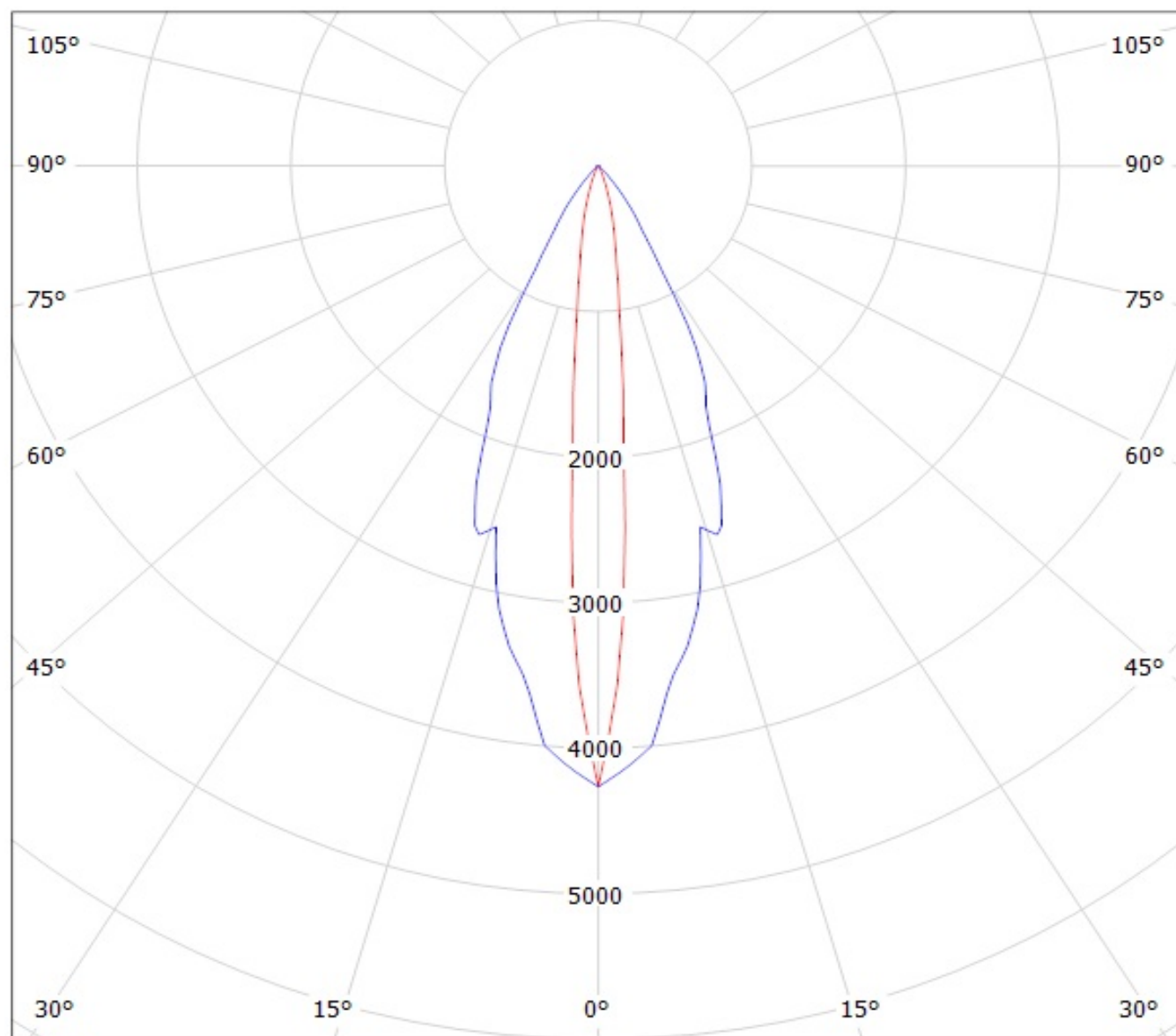


cd/klm

— C0 - C180

— C90 - C270

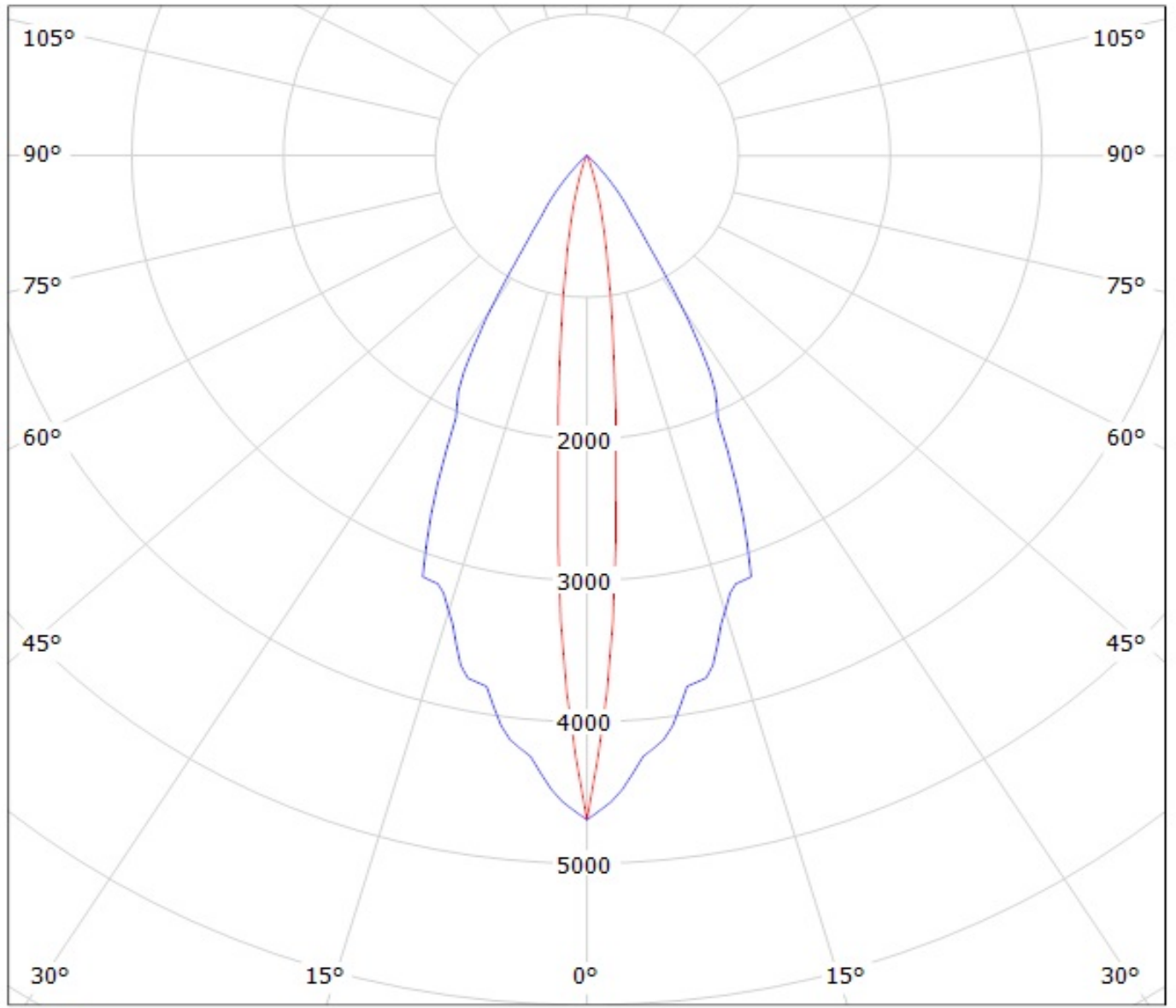
Luminaire: Ledil Oy CA11267_HEIDI-O-90 (Osram Oslon 80dg 85lm @ 250mA) Efficiency=83%
Lamps: 1 x Osram Oslon 80dg 85lm @ 250mA



cd/klm

— C0 - C180 — C90 - C270

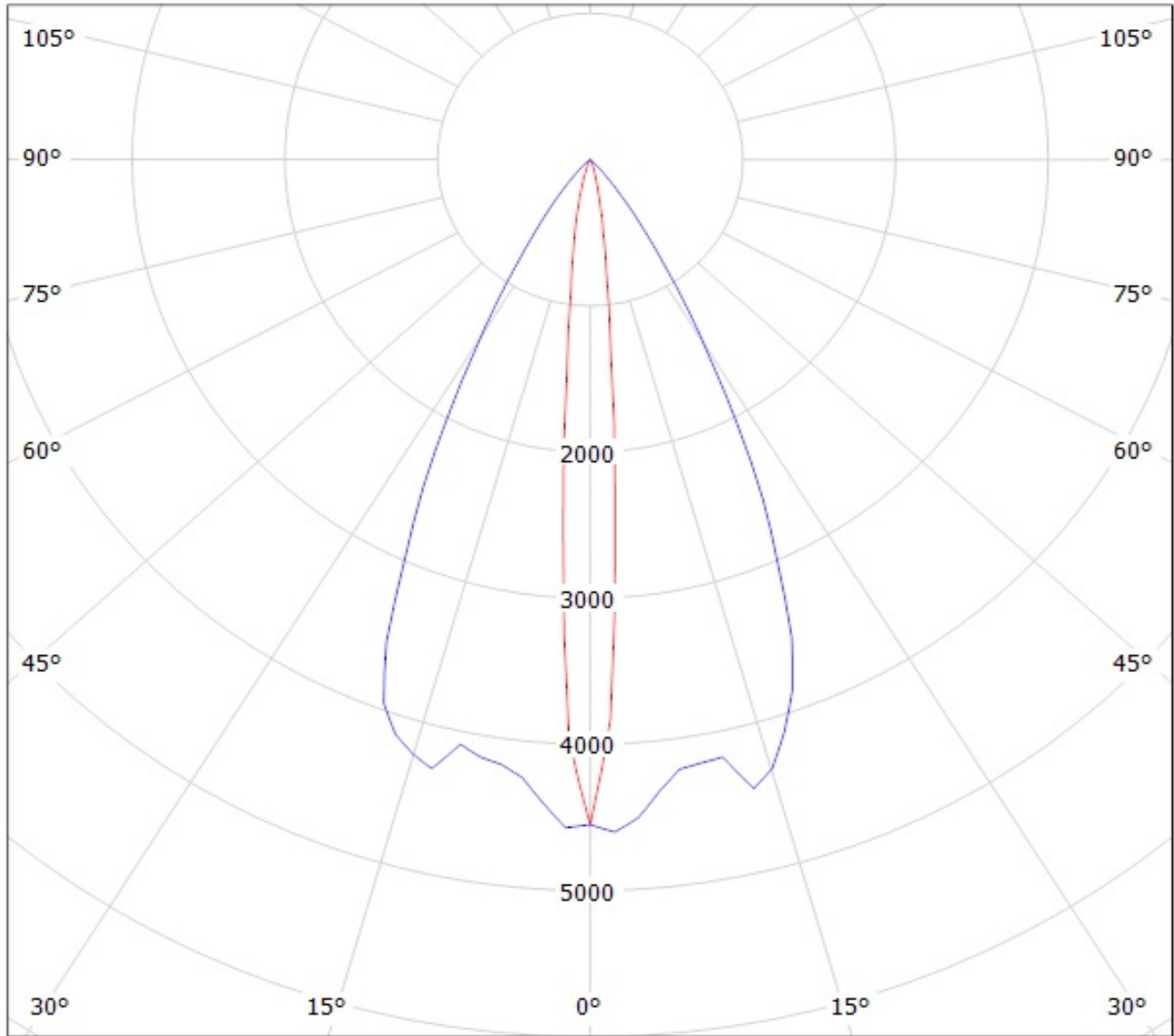
Luminaire: Ledil Oy CA11267_HEIDI-O-90 (Osram Oslon 150dg 72lm @ 250mA) Efficiency=86%
Lamps: 1 x Osram Oslon 150dg 72lm @ 250mA



cd/klm

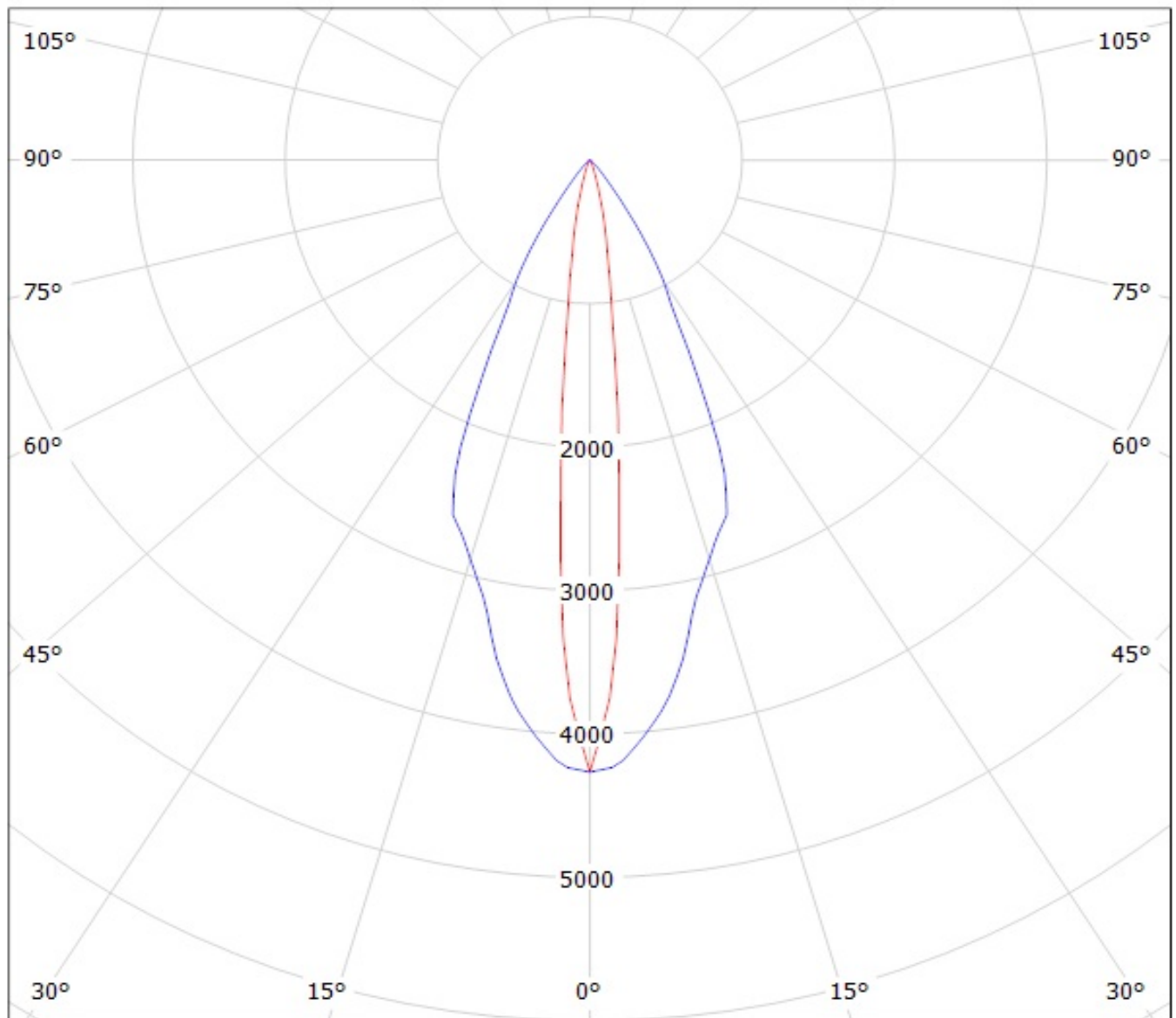
— C0 - C180 — C90 - C270

Luminaire: Ledil Oy CA11267_HEIDI-O-90_(XP-E2) Efficiency=84%
Lamps: 1 x Cree XP-E2 (92lm @ 250mA) CCT=5500K P=0.8W I=250mA



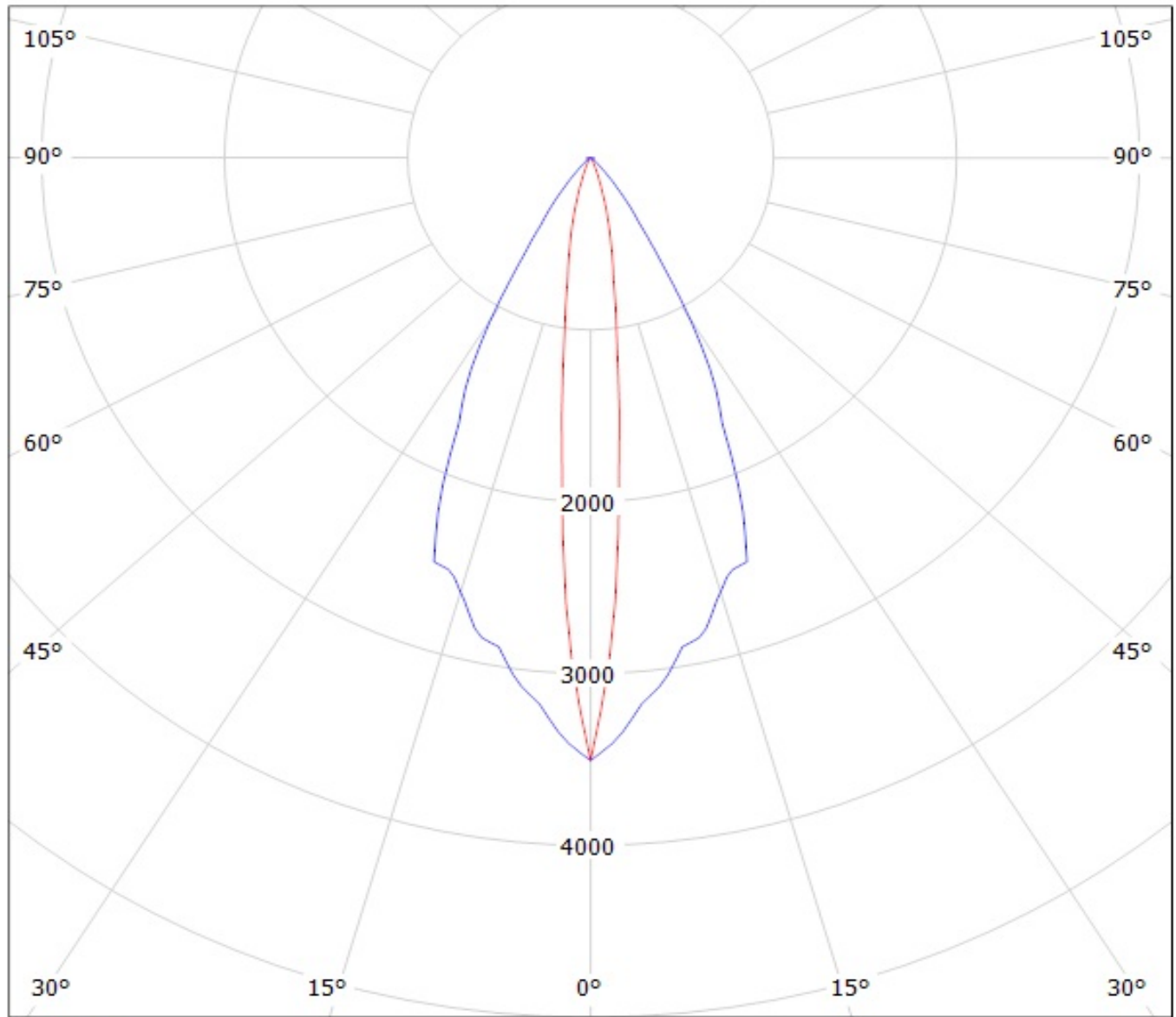
cd/klm
— C0 - C180 — C90 - C270

Luminaire: Ledil Oy CA11267_HEIDI-O-90 (Luxeon Rebel 82lm @ 250mA) Efficiency=84%
Lamps: 1 x Luxeon Rebel 82lm @ 250mA



cd/klm
— C0 - C180 — C90 - C270

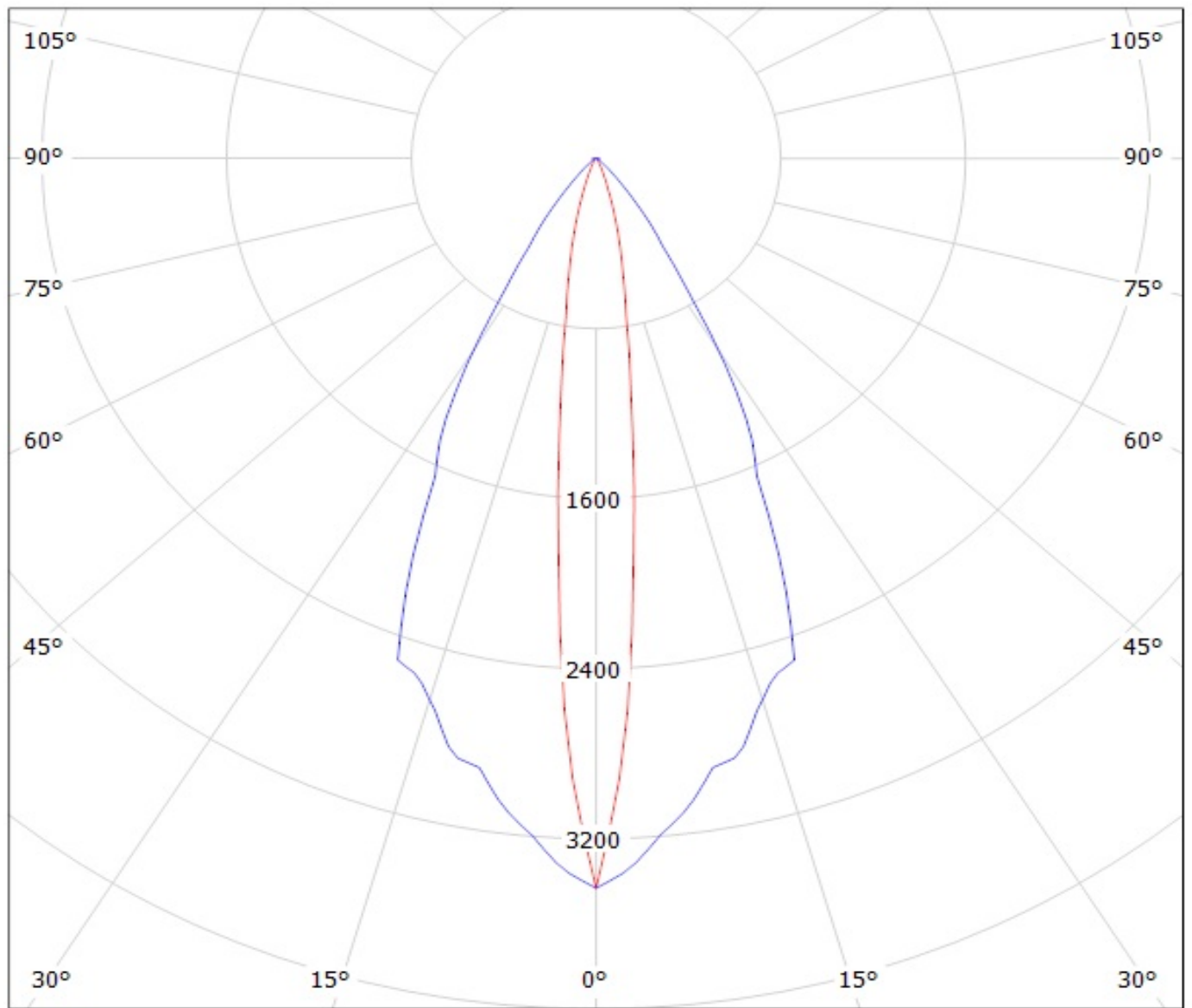
Luminaire: Ledil Oy CA11267_HEIDI-O-90 (Nichia NCS19 95lm @ 250mA) Efficiency=82%
Lamps: 1 x Nichia NCS19 95lm @ 250mA



cd/klm

— C0 - C180 — C90 - C270

Luminaire: Ledil Oy CA11267_HEIDI-O-90 (Nichia NVS19 91lm @ 250mA) Efficiency=82%
Lamps: 1 x Nichia NVS19 91lm @ 250mA

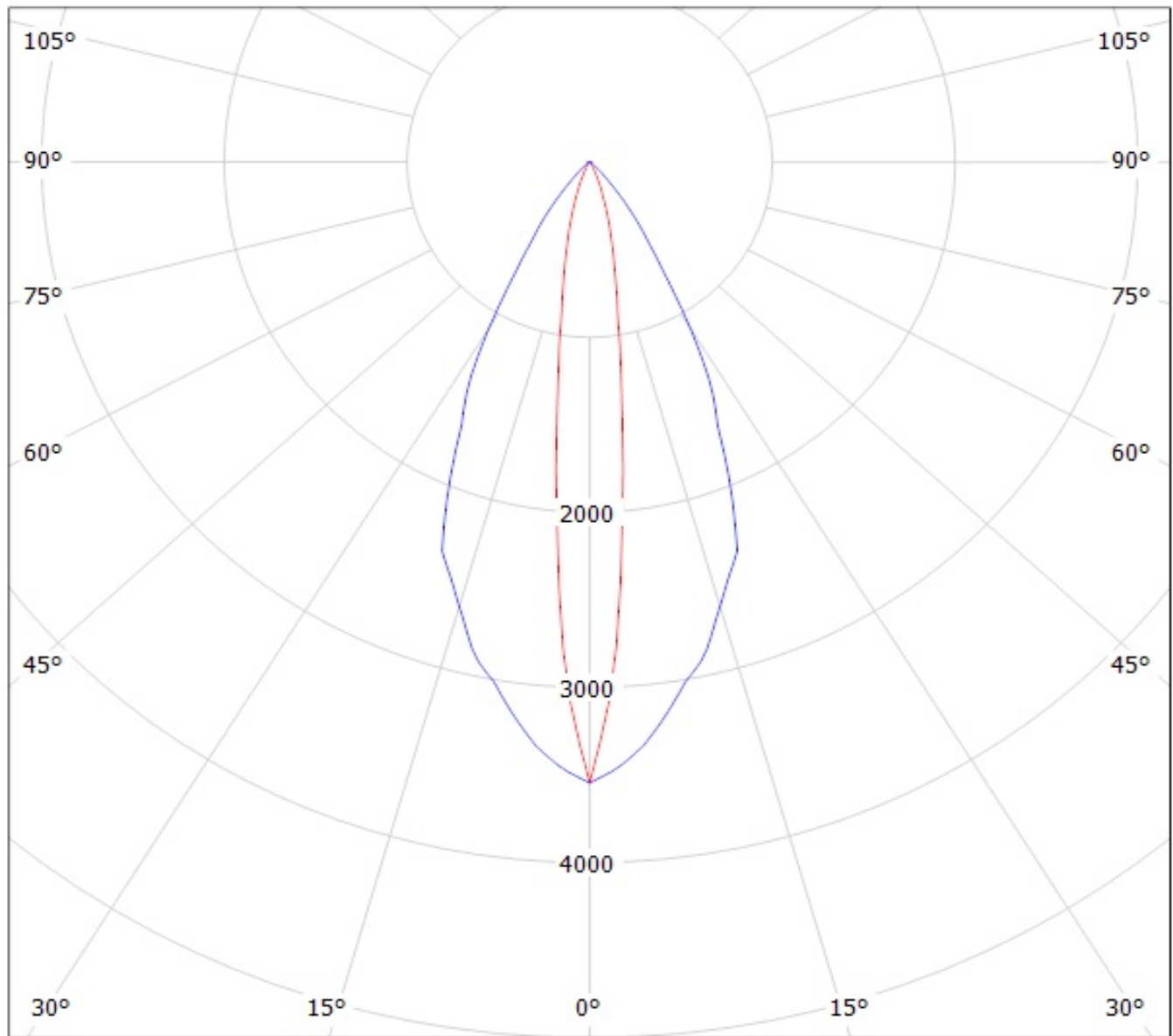


cd/klm

— C0 - C180

— C90 - C270

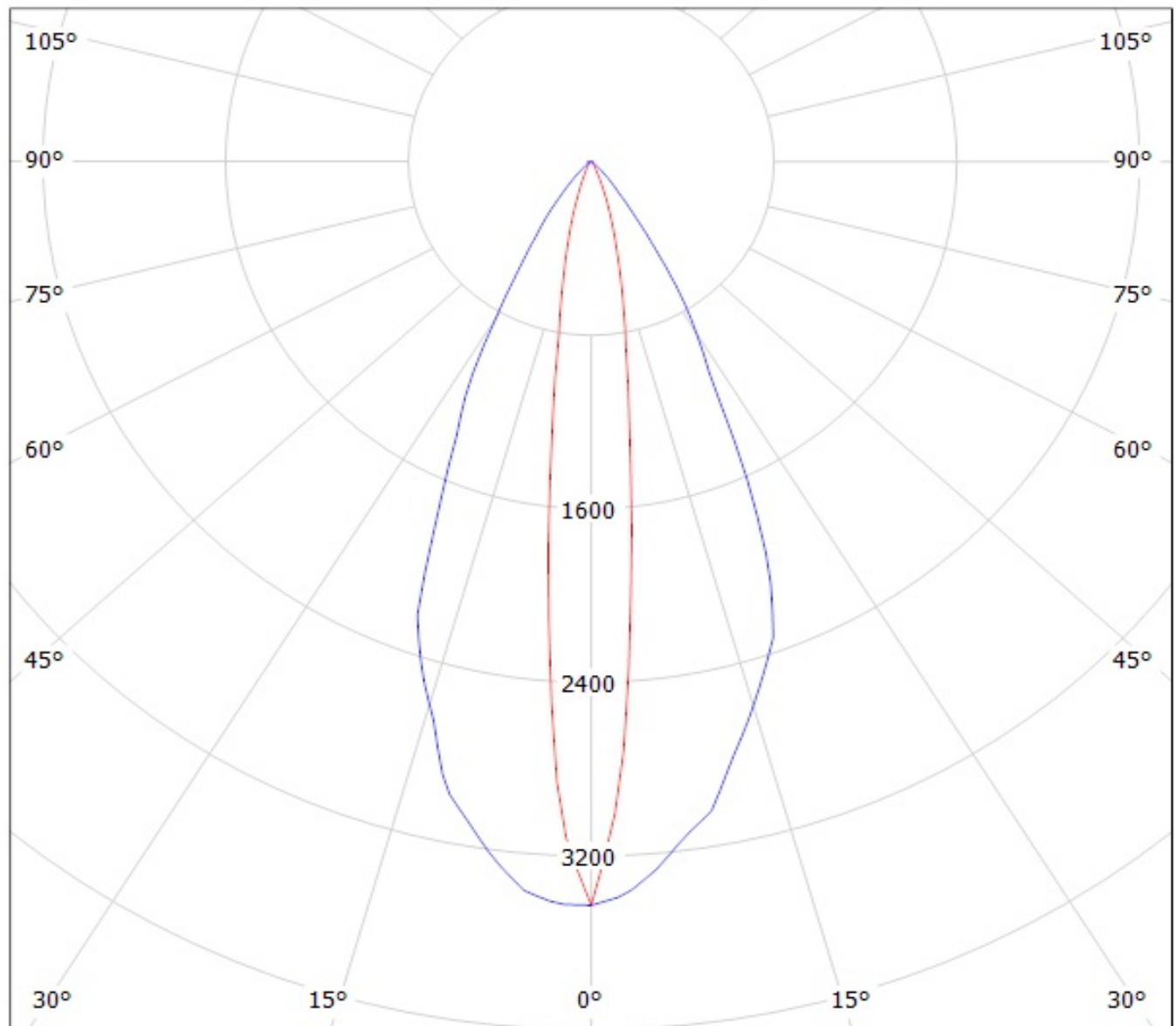
Luminaire: Ledil Oy CA11267_HEIDI-O-90 (Cree XB-D 97lm @ 250mA) Efficiency=87%
Lamps: 1 x Cree XB-D 97lm @ 250mA



cd/klm

— C0 - C180 — C90 - C270

Luminaire: Ledil Oy CA11267_HEIDI-O-90 (Osram Square EC 69lm @ 250mA) Efficiency=86%
Lamps: 1 x Osram Square EC 69lm @ 250mA

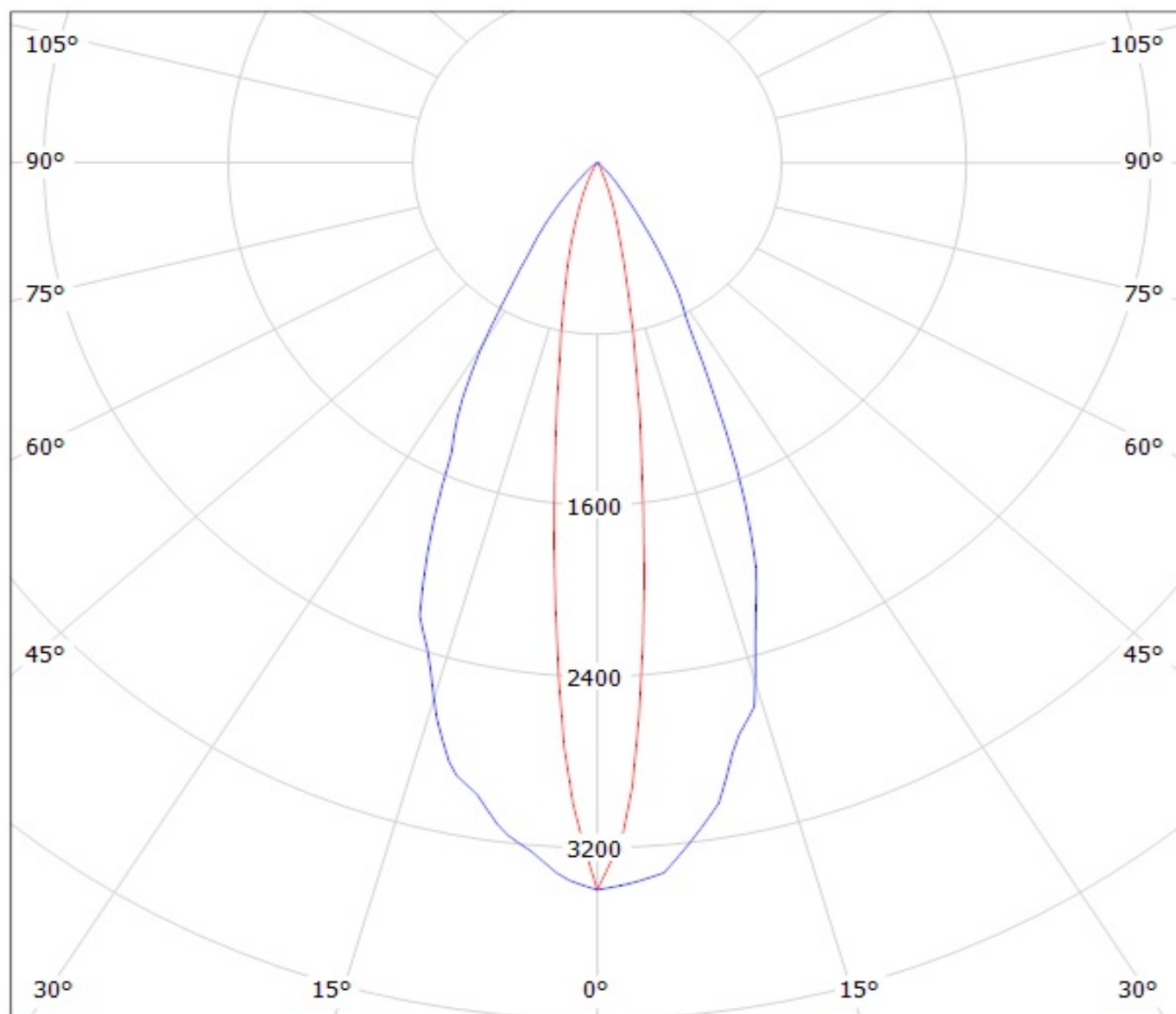


cd/klm

— C0 - C180

— C90 - C270

Luminaire: Ledil Oy CA11267_HEIDI-O-90 (Cree XP-G 87lm @ 250mA) Efficiency=87%
Lamps: 1 x Cree XP-G 87lm @ 250mA

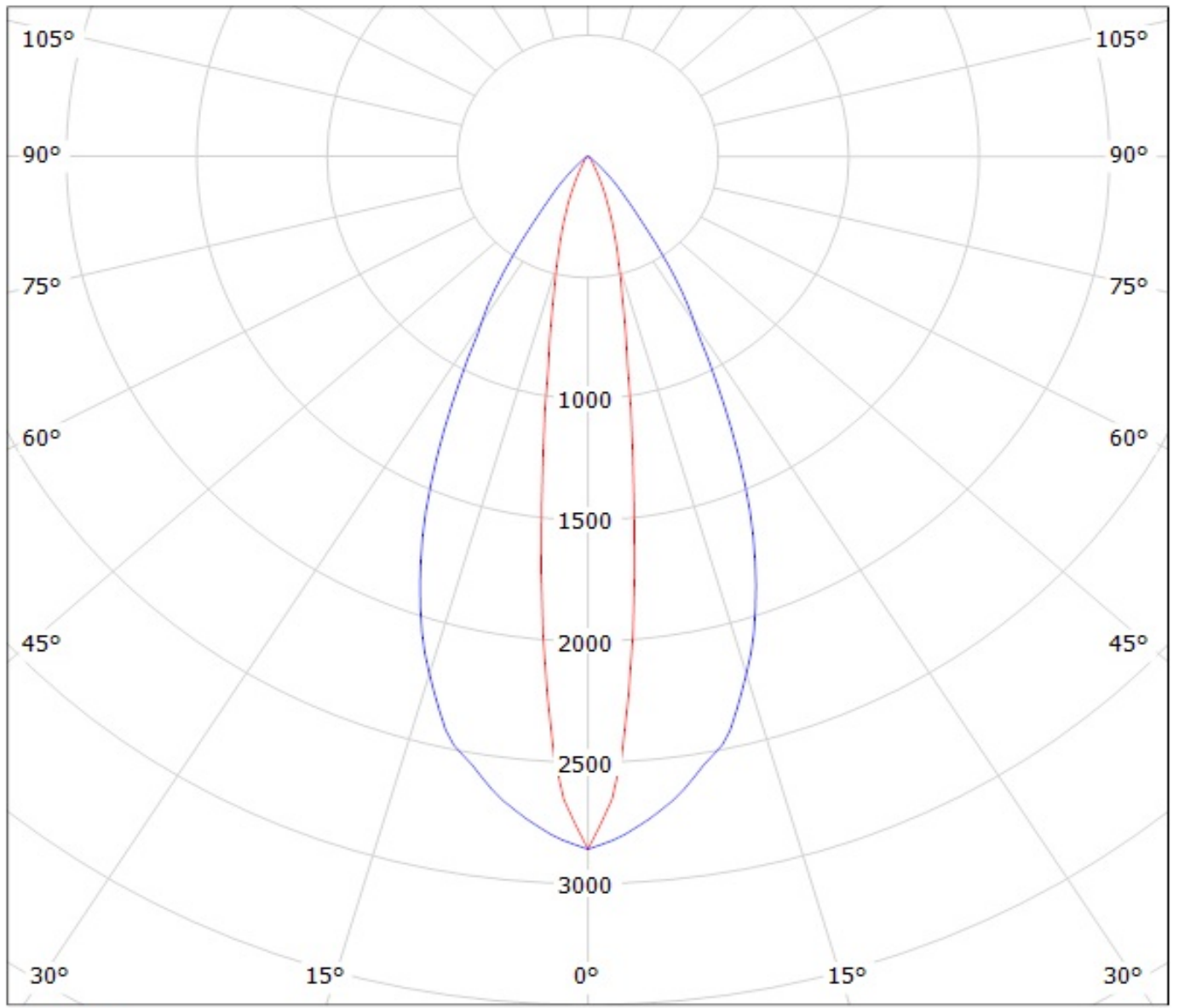


cd/klm

— C0 - C180

— C90 - C270

Luminaire: Ledil Oy CA11267_HEIDI-O-90 (Nichia 219B 109lm @ 250mA) Efficiency=85%
Lamps: 1 x Nichia 219B 109lm @ 250mA

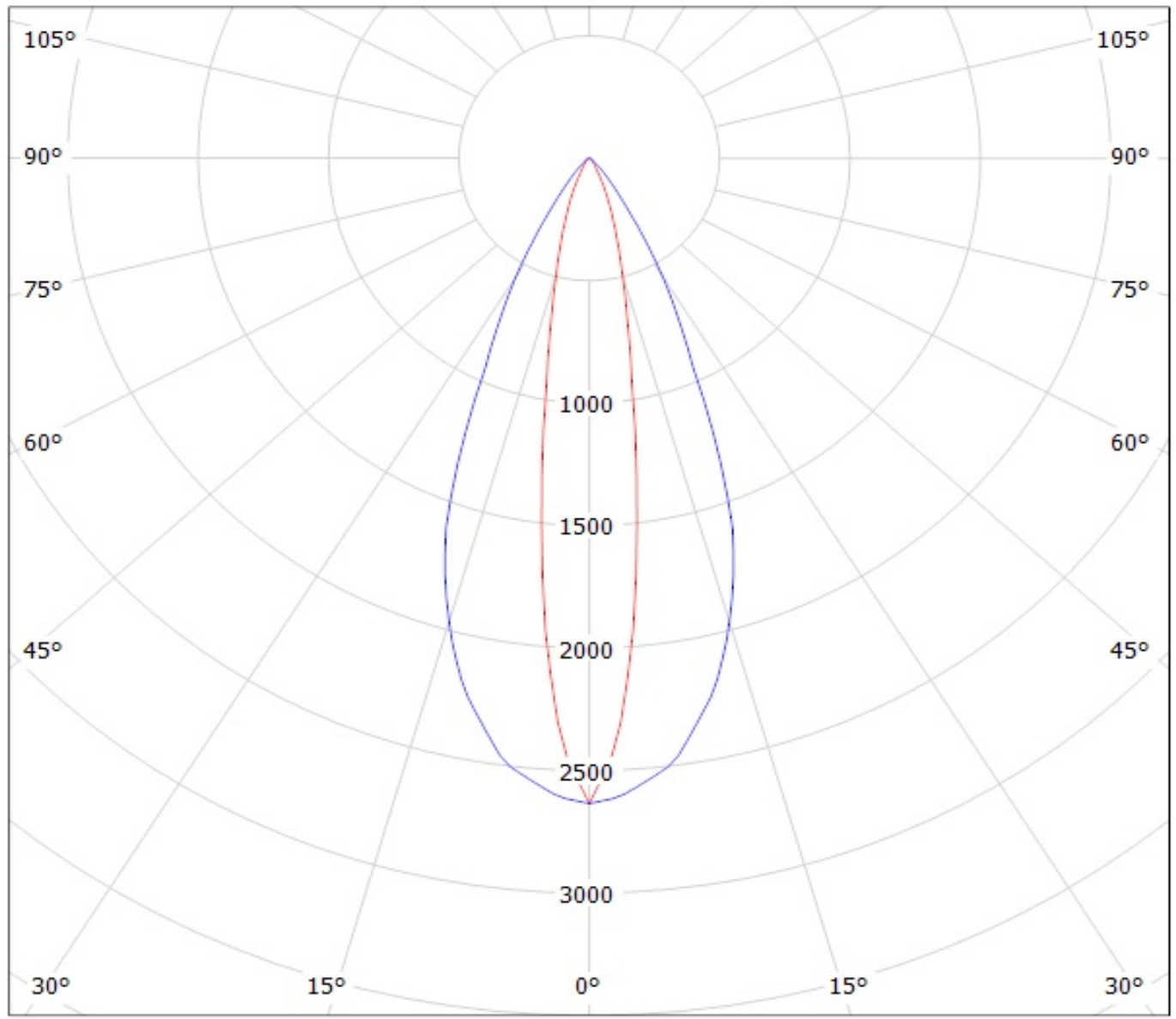


cd/klm

— C0 - C180

— C90 - C270

Luminaire: Ledil Oy CA11267_HEIDI-O-90 (Sharp Double Dome 76lm @ 250mA) Efficiency=82%
Lamps: 1 x Sharp Double Dome 76lm @ 250mA



cd/klm

— C0 - C180 — C90 - C270

NOTE: The typical divergence will be changed by different color, chip size and chip position tolerance. The typical total divergence is the full angle measured where the luminous intensity is half of the peak value.