

## DETAILS

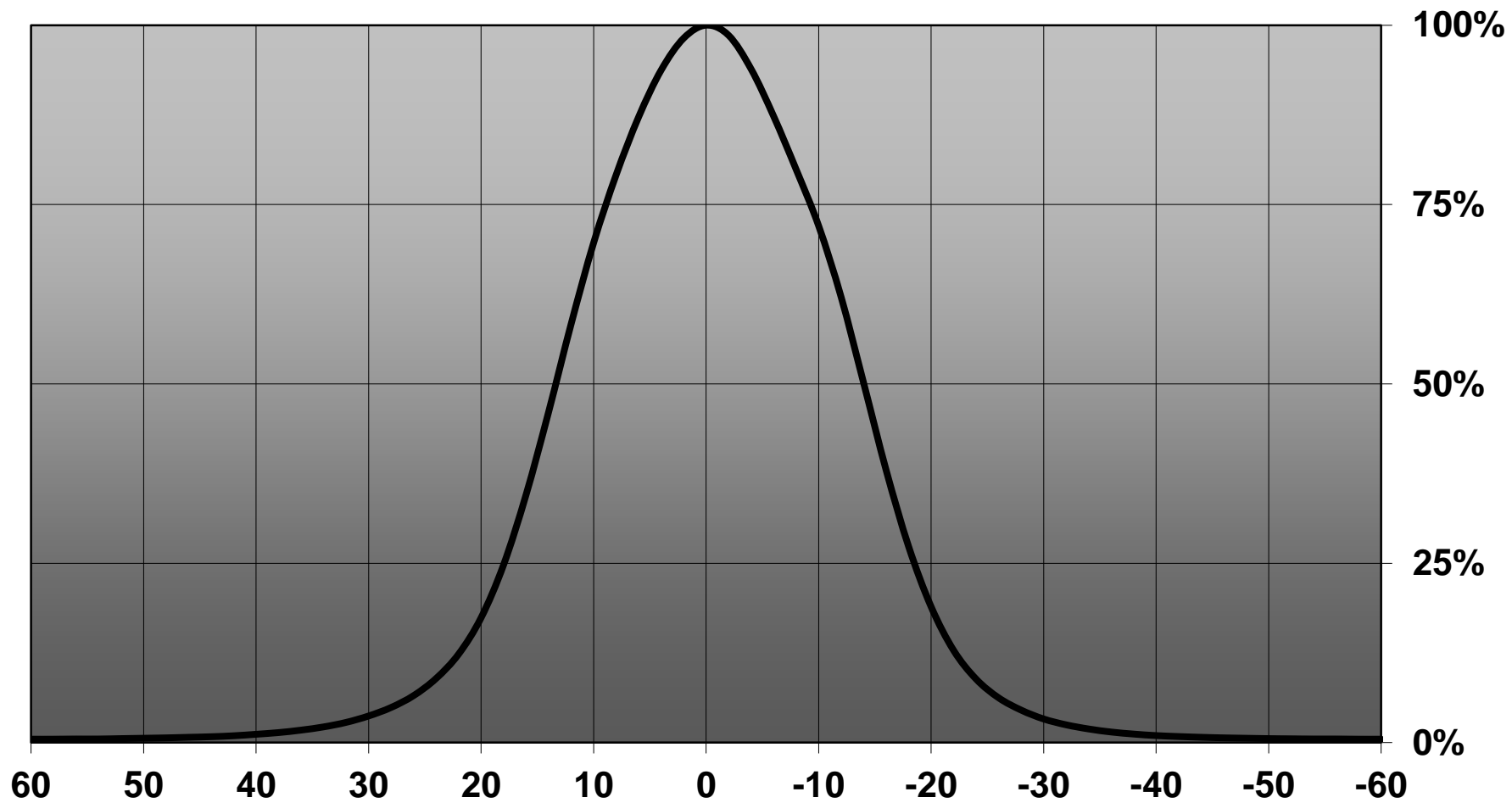
<b>Product Number</b>	CA11265_HEIDI-M
<b>Family</b>	Heidi
<b>Type</b>	Assembly
<b>Color</b>	clear
<b>Diameter</b>	21,6 mm
<b>Height</b>	11,7 mm
<b>Style</b>	round
<b>Optic Material</b>	PMMA
<b>Holder Material</b>	
<b>Fastening</b>	
<b>Status</b>	ready
<b>ROHS Compliant</b>	Yes
<b>Date Updated</b>	8/01/2015



## OPTICAL PROPERTIES

LED	Viewing	Light	Effi-		Connector
	Angle	Beam	ciency	cd/lm	
XT-E	sim: 27	Medium	sim: 890 %	sim: 3.500	-
Double Dome (GM2BB)	sim:	Medium	-	-	-
Oslo Square EC	sim: 29	Medium	-	sim: 3.200	-
NCSxx19A	26 deg	Medium	87 %	3.000	-
Oslo SSL 150	26 deg	Medium	90 %	3.400	-
XB-H	27 deg	Medium	87 %	3.400	-
XP-G	28 deg	Medium	92 %	3.300	-
XP-E	28 deg	Medium	92 %	2.860	-
Oslo SSL 80	28 deg	Medium	87 %	3.130	-
Z5	28 deg	Medium	87 %	3.670	-
NVSxx19A	28 deg	Medium	87 %	3.100	-
NVSxx19B/NVSxx19C	28 deg	Medium	90 %	3.300	-
LUXEON T	28 deg	Medium	87 %	3.300	-
Z5M1/Z5M2	29 deg	Medium	89 %	3.400	-
LUXEON TX	29 deg	Medium	88 %	3.400	-
XB-D	29 deg	Medium	87 %	2.000	-
NCSxx19B	29 deg	Medium	88 %	3.700	-

### Relative intensity of CA11265\_HEIDI-M\_(XB-H)



— C1 0-180

D

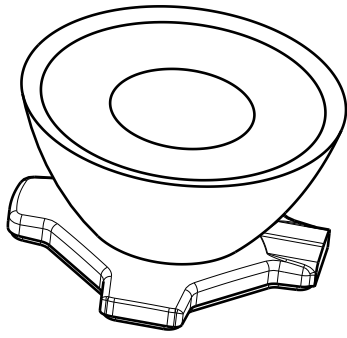
C

B

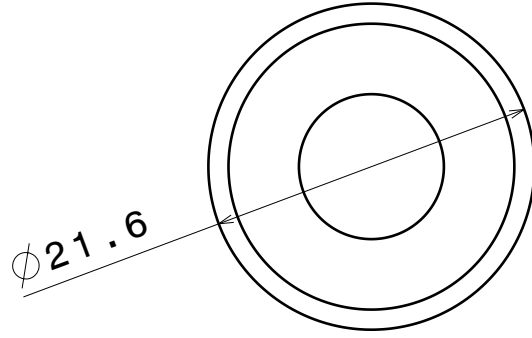
A

4

4



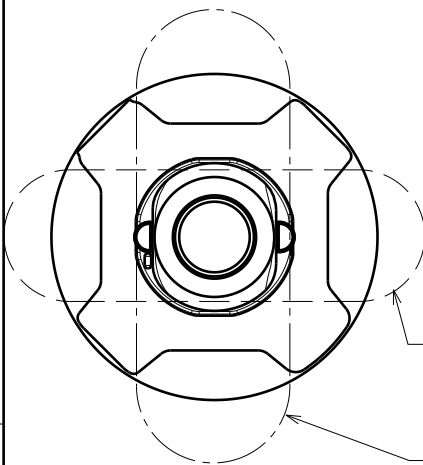
Isometric view



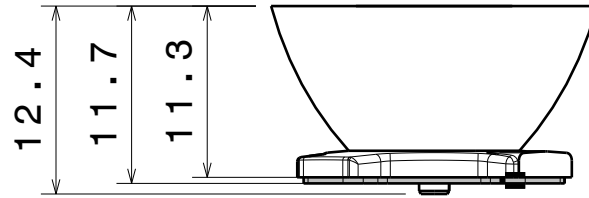
Top view

3

3



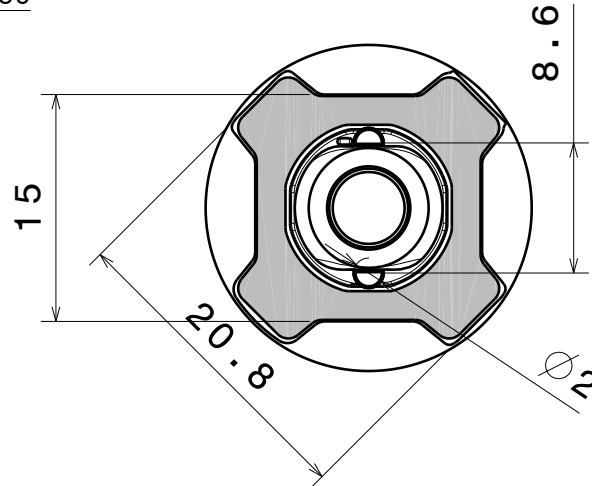
Bottom view  
OVAL BEAM direction



Front view

2

2



Bottom view

Material:  
Lens PMMA  
Tape PU Foam

This drawing is our property.  
It can't be reproduced  
or communicated without  
our written agreement.



Ledil Oy  
Salorankatu 10  
FIN-24100 SALO  
Finland

DRAWING TITLE

Datasheet Heidi-Series Assy

DRAWN BY  
ah

DATE  
1.2.2012

CHECKED BY

DATE

SIZE  
A4

DRAWING NUMBER

REV  
2

DESIGNED BY

DATE

SCALE 2:1 WEIGHT (g)

SHEET 1/1

D

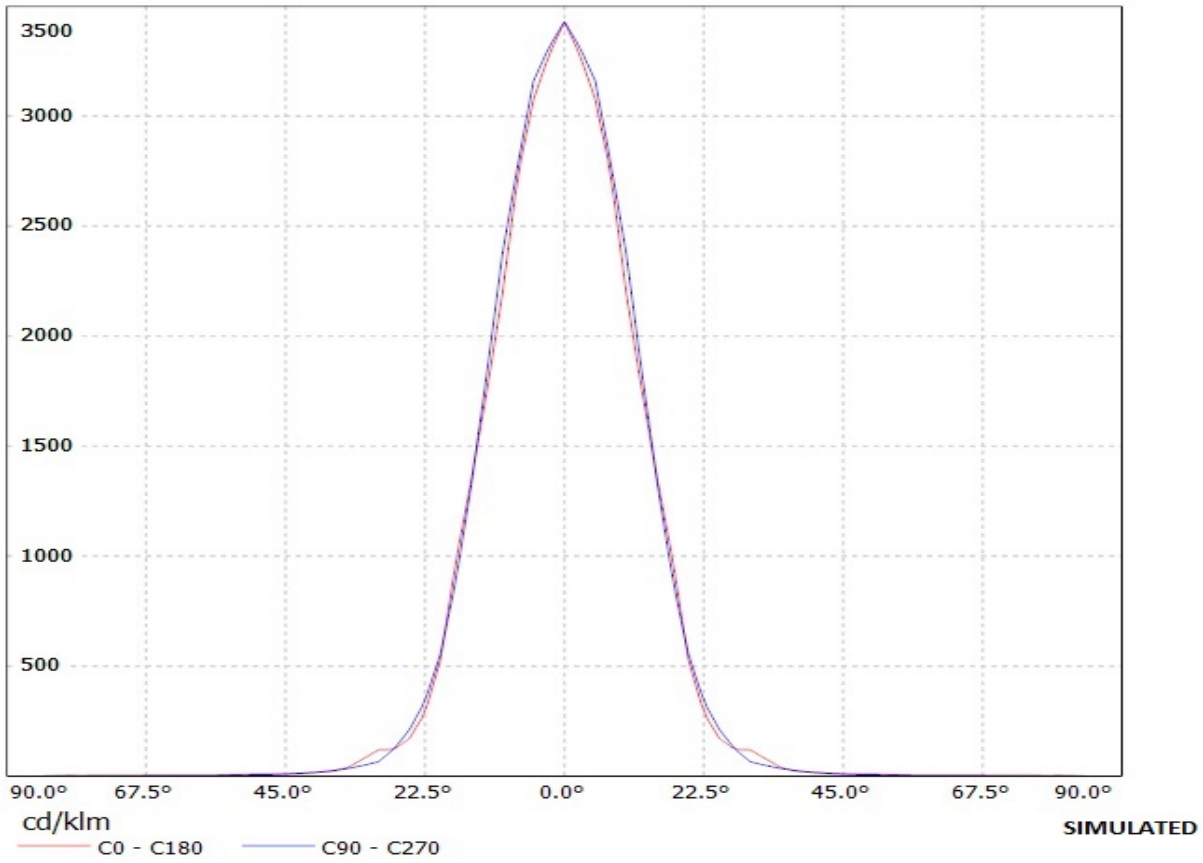
A

1

1

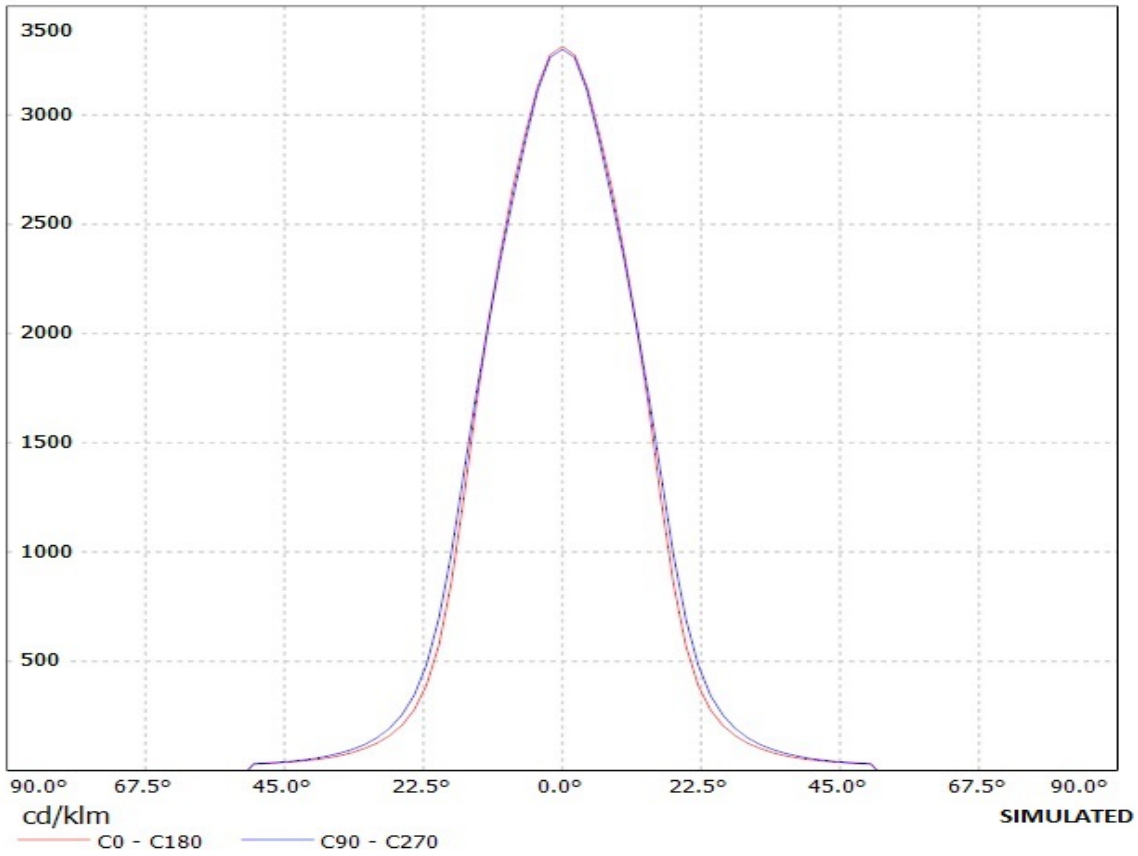
# Ledil Oy CA11265-Heidi-M-OSL150 LOR=90% / LDC (Linear)

Luminaire: Ledil Oy CA11265-Heidi-M-OSL150 LOR=90%  
Lamps: 1 x Osram OSL150 109lm 250mA



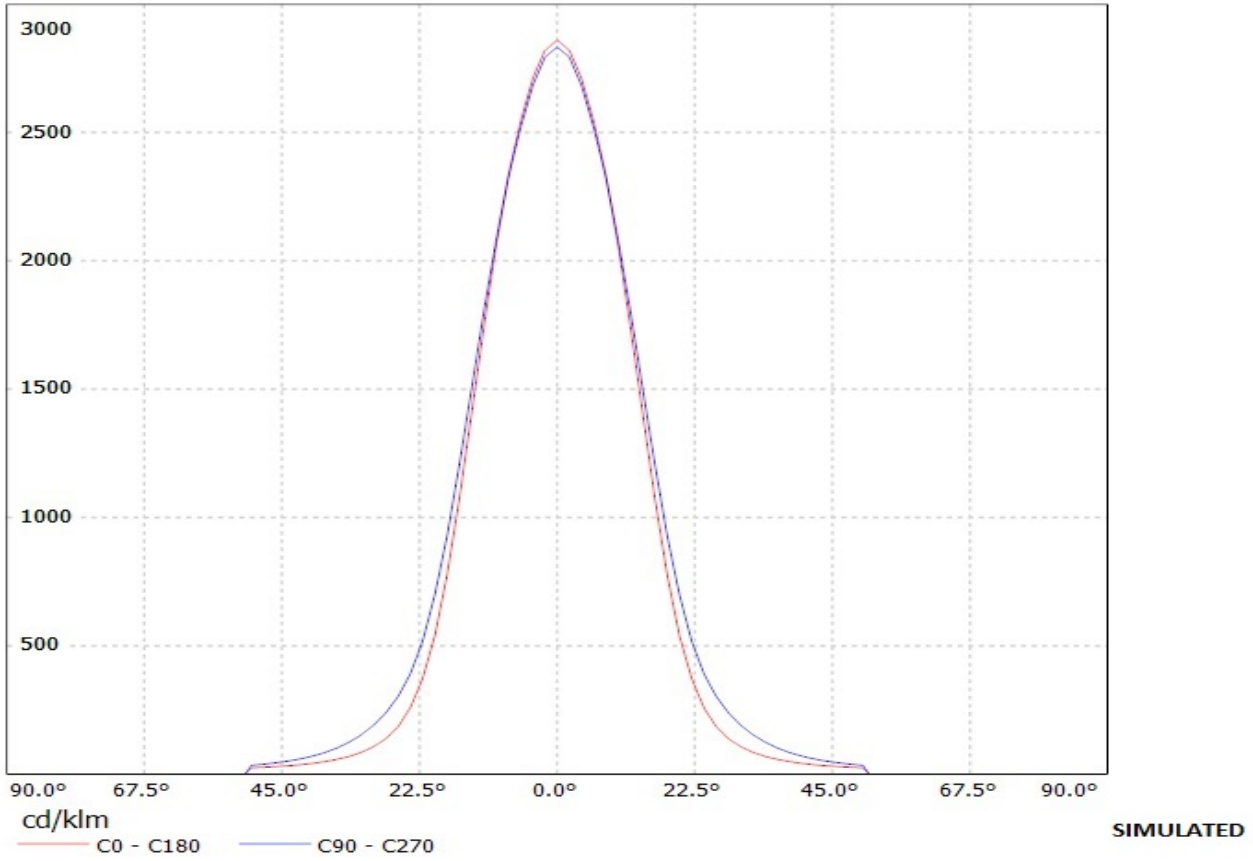
# Ledil Oy CA11265\_Heidi-M-XP-G CA11265\_Heidi-M-XP-G / LDC (Linear)

Luminaire: Ledil Oy CA11265\_Heidi-M-XP-G CA11265\_Heidi-M-XP-G  
Lamps: 1 x Cree XP-G (White)



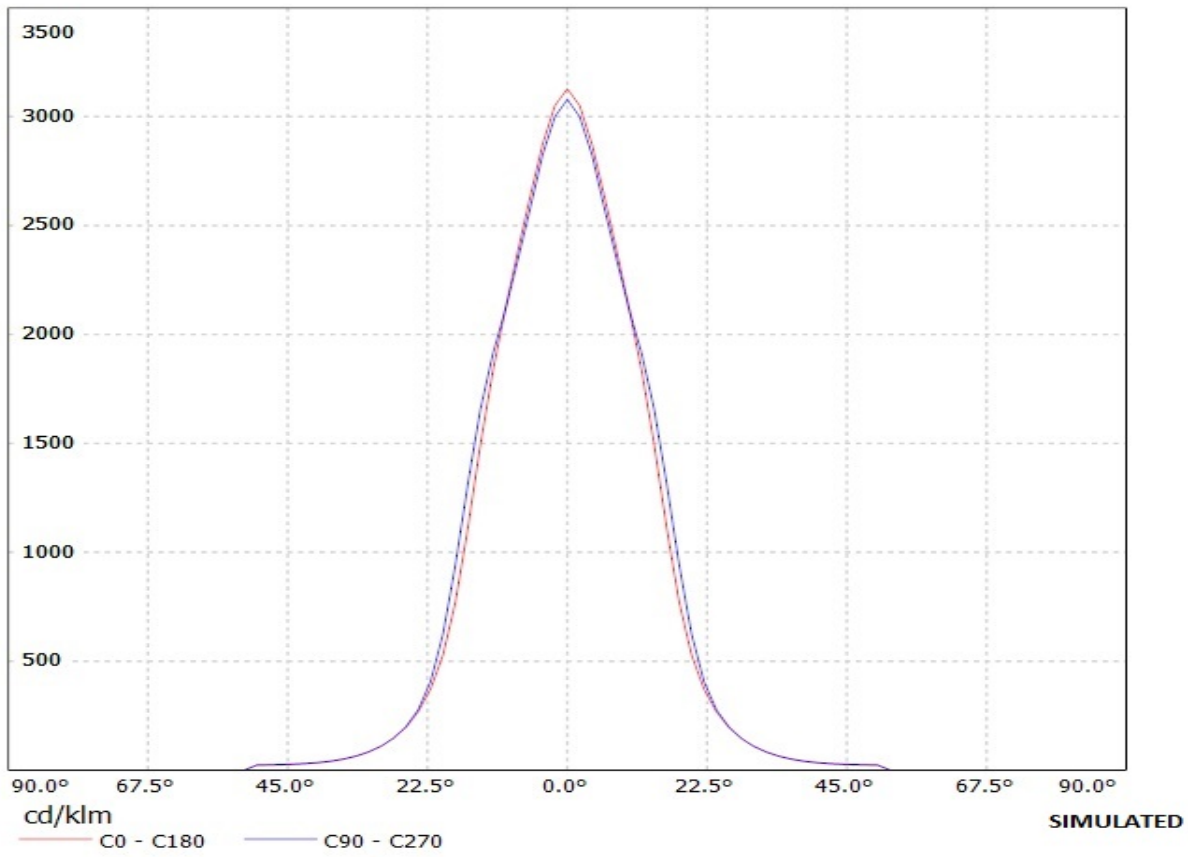
Ledil Oy CA11265\_Heidi-M-XP CA11265\_Heidi-M-XP / LDC (Linear)

Luminaire: Ledil Oy CA11265\_Heidi-M-XP CA11265\_Heidi-M-XP  
Lamps: 1 x Cree XP-E

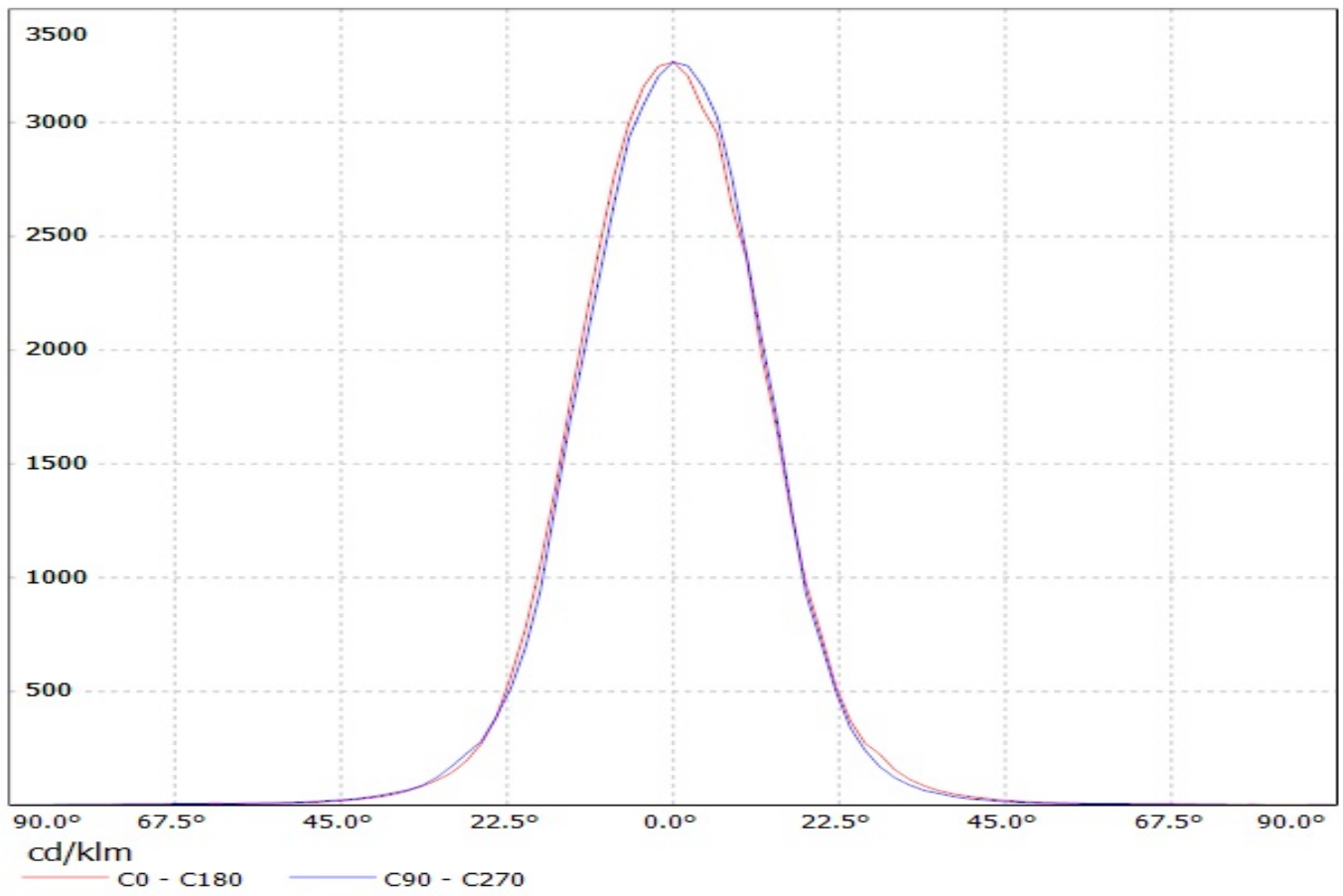


# Ledil Oy CA11265-Heidi-M-OSL CA11265-Heidi-M-OSL / LDC (Linear)

Luminaire: Ledil Oy CA11265-Heidi-M-OSL CA11265-Heidi-M-OSL  
Lamps: 1 x Osram Oslon 80 deg white



Luminaire: Ledil Oy CA11265\_HEIDI-M (Nichia 219B 109lm @ 250mA) Efficiency=90%  
Lamps: 1 x Nichia 219B 109lm @ 250mA

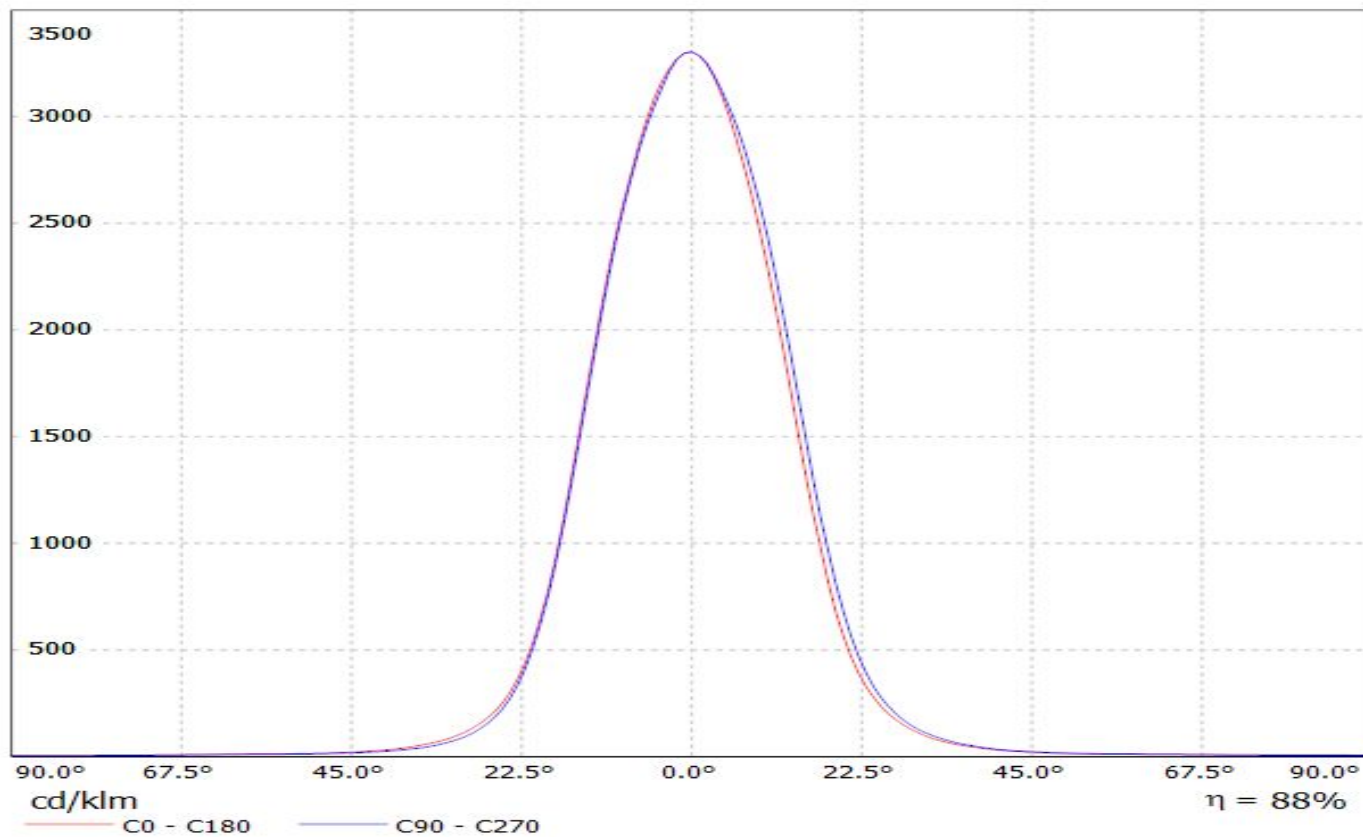




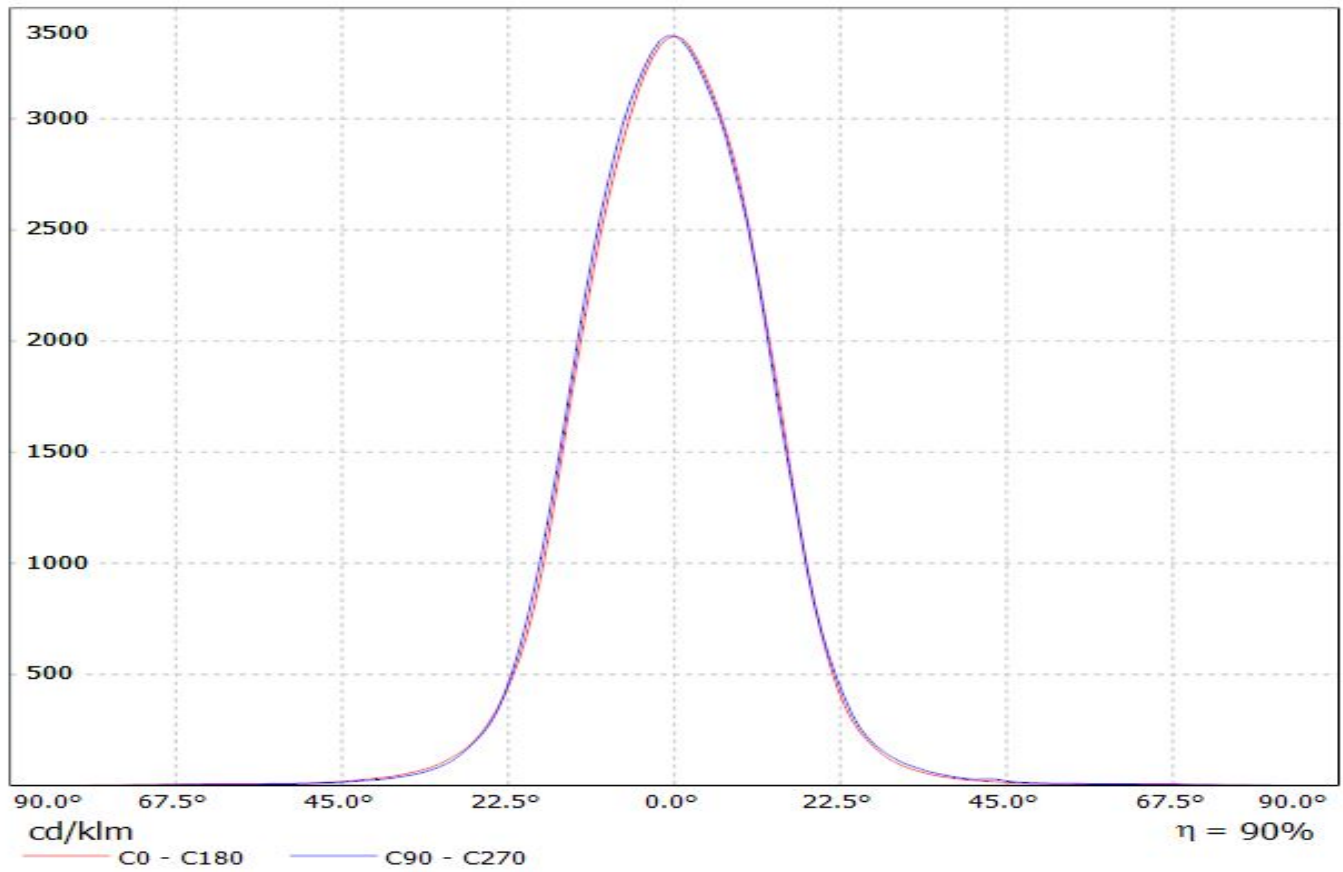
**LEDiL Oy CA11265\_HEIDI-M\_(LUXEON\_T)\_3 Eff.87.6% / LDC (Linear)**

Luminaire: LEDiL Oy CA11265\_HEIDI-M\_(LUXEON\_T)\_3 Eff.87.6%

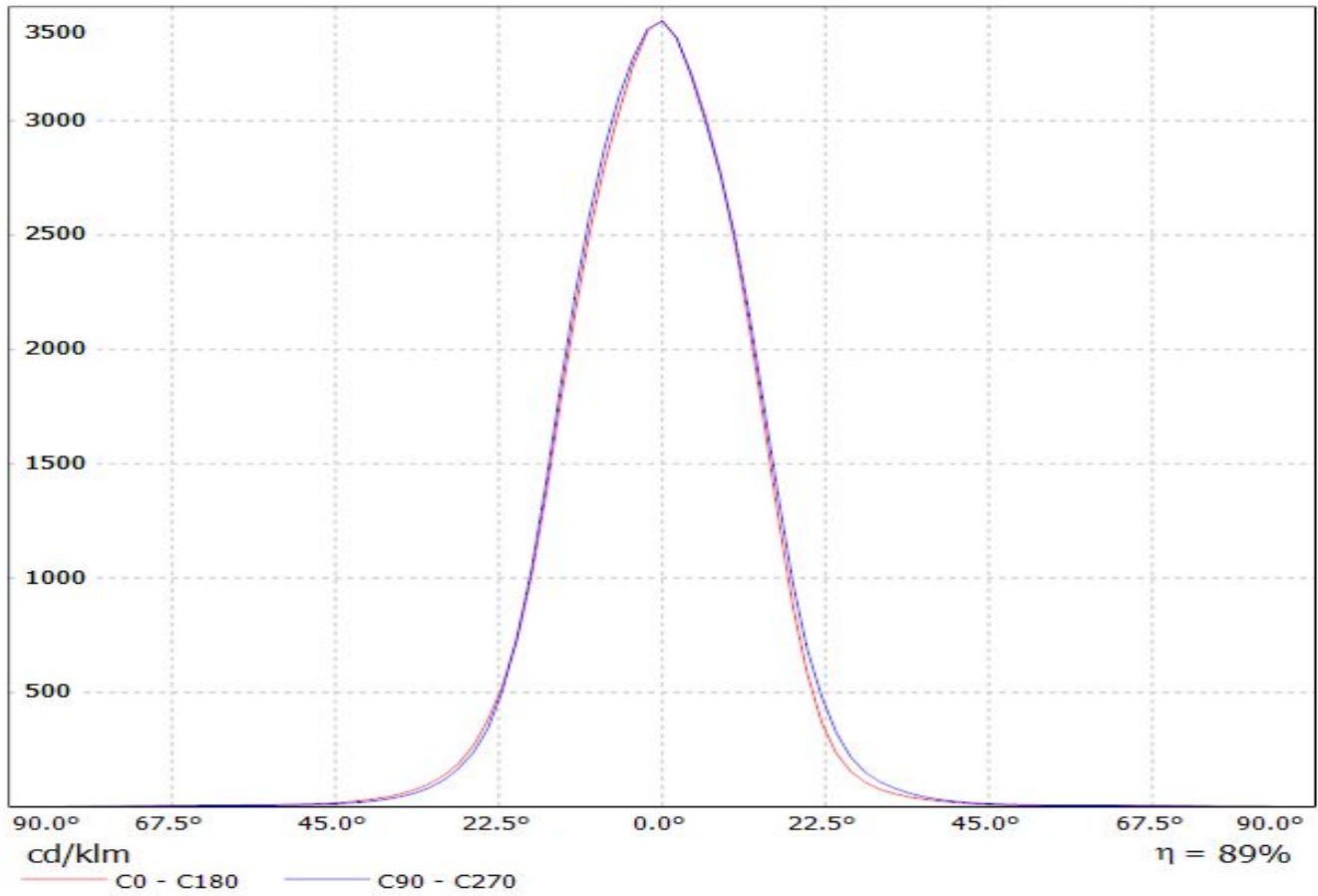
Lamps: 1 x LUXEON T (74lm@250mA)



Luminaire: Ledil Oy CA11265 HEIDI-M\_(Z5M1)  
Lamps: 1 x SEOUL Z5M1 108lm@250mA (SZ5M1-W0-C8/W1-A5-G)

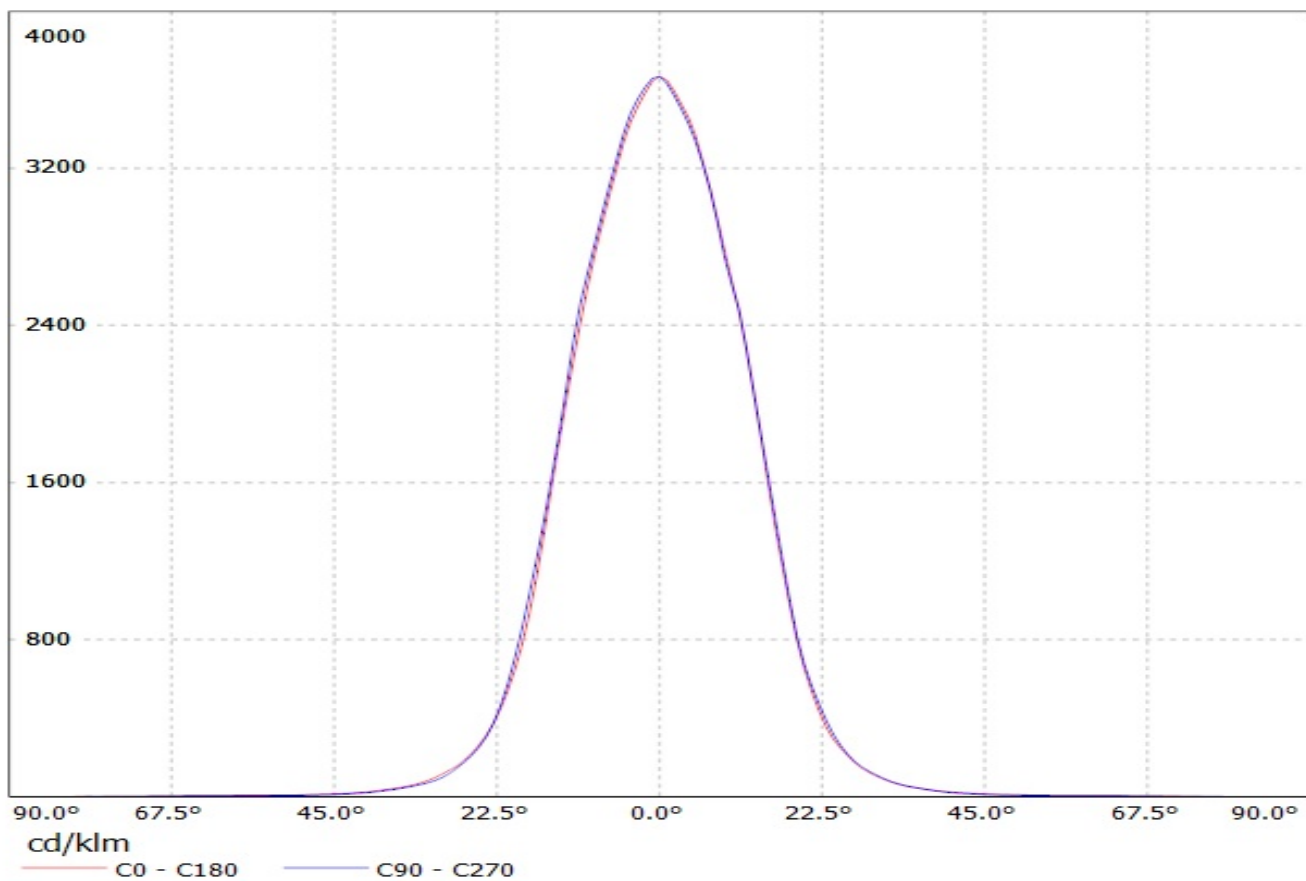


Luminaire: Ledil Oy CA11265\_HEIDI-M\_(Luxeon\_TX) Efficiency=88%  
Lamps: 1 x Luxeon TX (L1T2-3585) 108lm @ 250mA CCT=3521K P=0.73W I=250mA



Luminaire: Ledil Oy Efficiency=88%

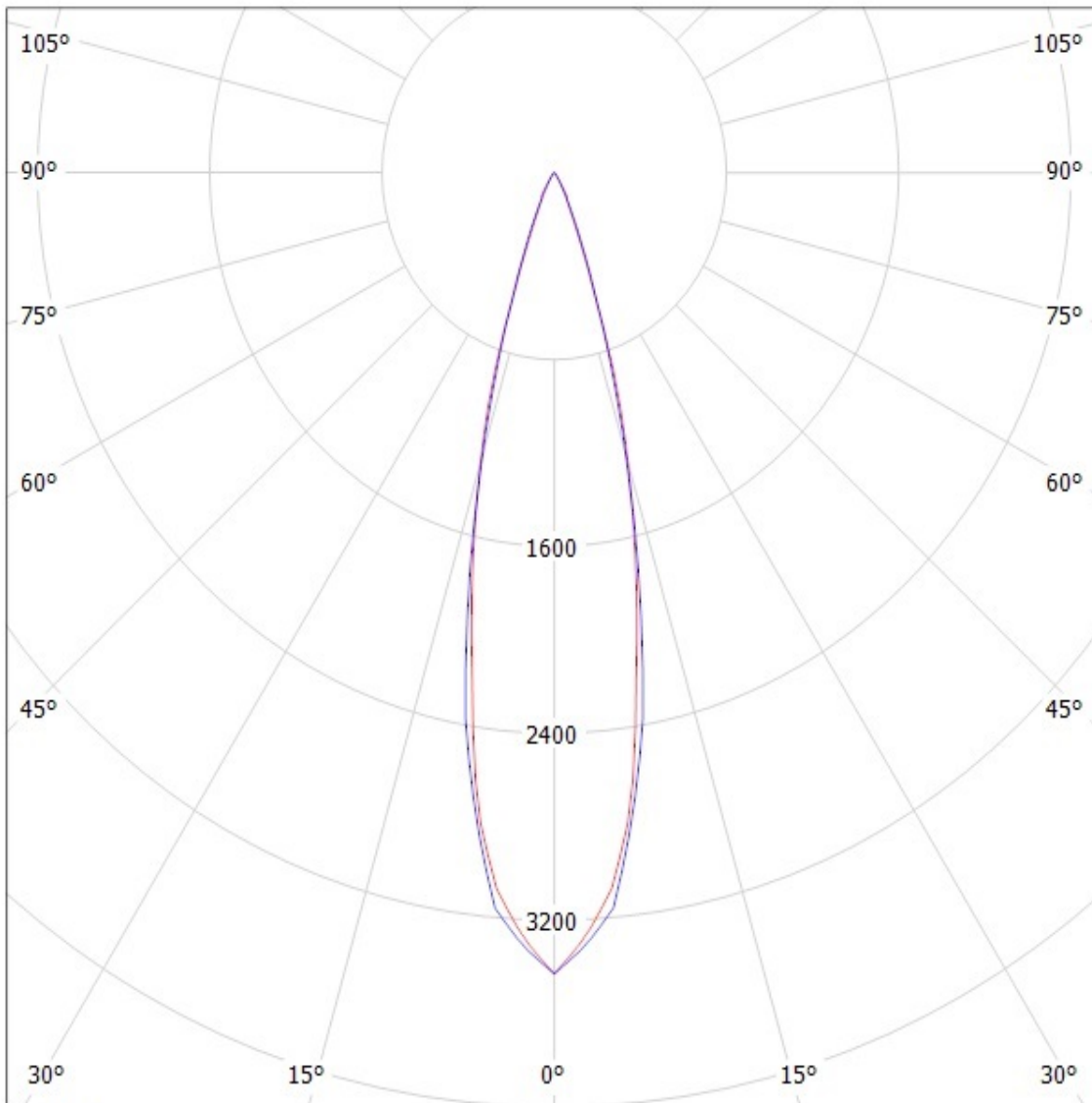
Lamps: 1 x Nichia NCSxx19B (NCSL119BE) 88lm @ 250mA CCT=3000K P=0.8W I=250mA



# Ledil Oy CA11265-Heidi-M-OSL150 LOR=90% / LDC (Polar)

Luminaire: Ledil Oy CA11265-Heidi-M-OSL150 LOR=90%

Lamps: 1 x Osram OSL150 109lm 250mA



cd/klm

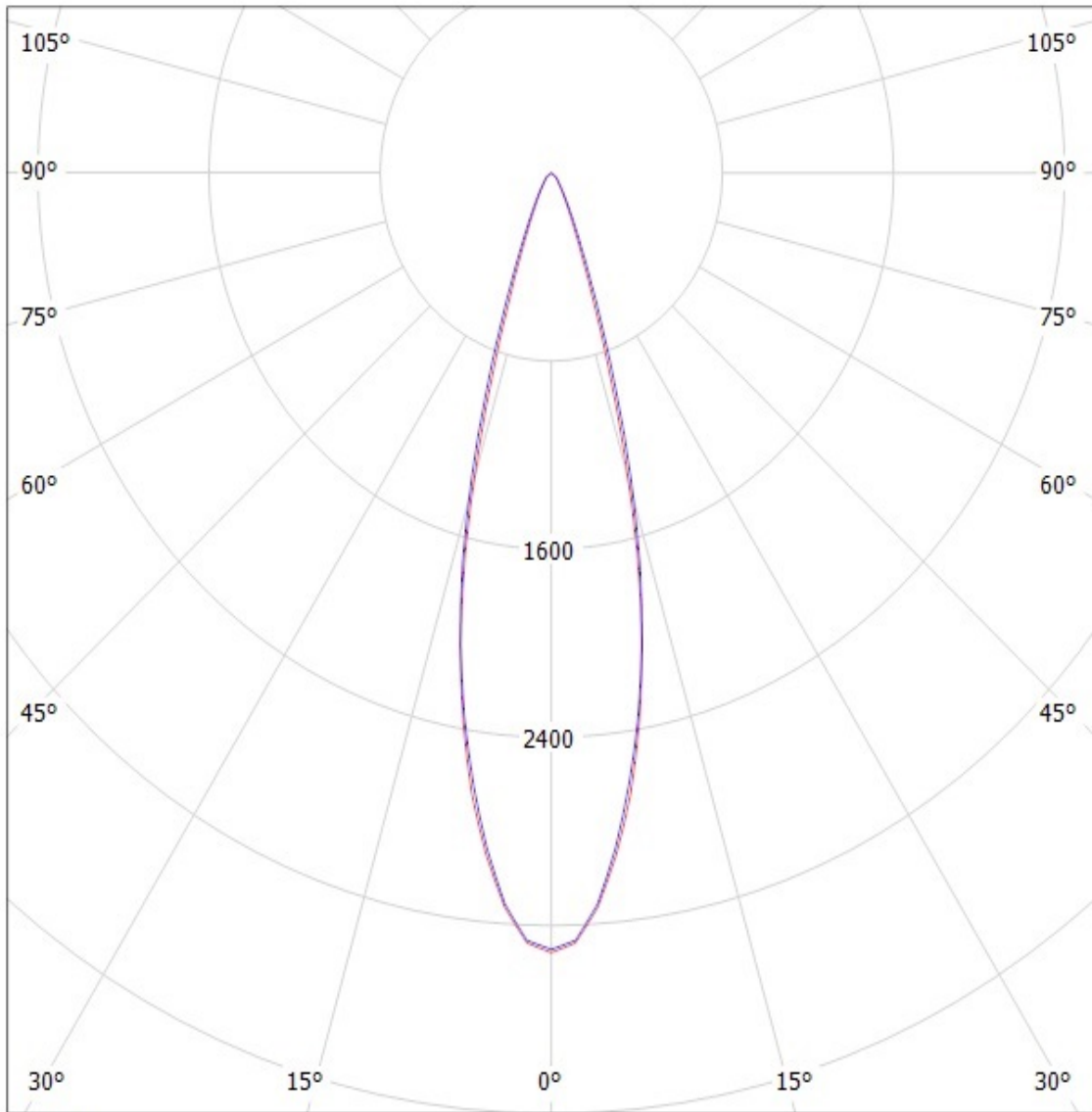
— C0 - C180

— C90 - C270

SIMULATED

# Ledil Oy CA11265\_Heidi-M-XP-G CA11265\_Heidi-M-XP-G / LDC (Polar)

Luminaire: Ledil Oy CA11265\_Heidi-M-XP-G CA11265\_Heidi-M-XP-G  
Lamps: 1 x Cree XP-G (White)



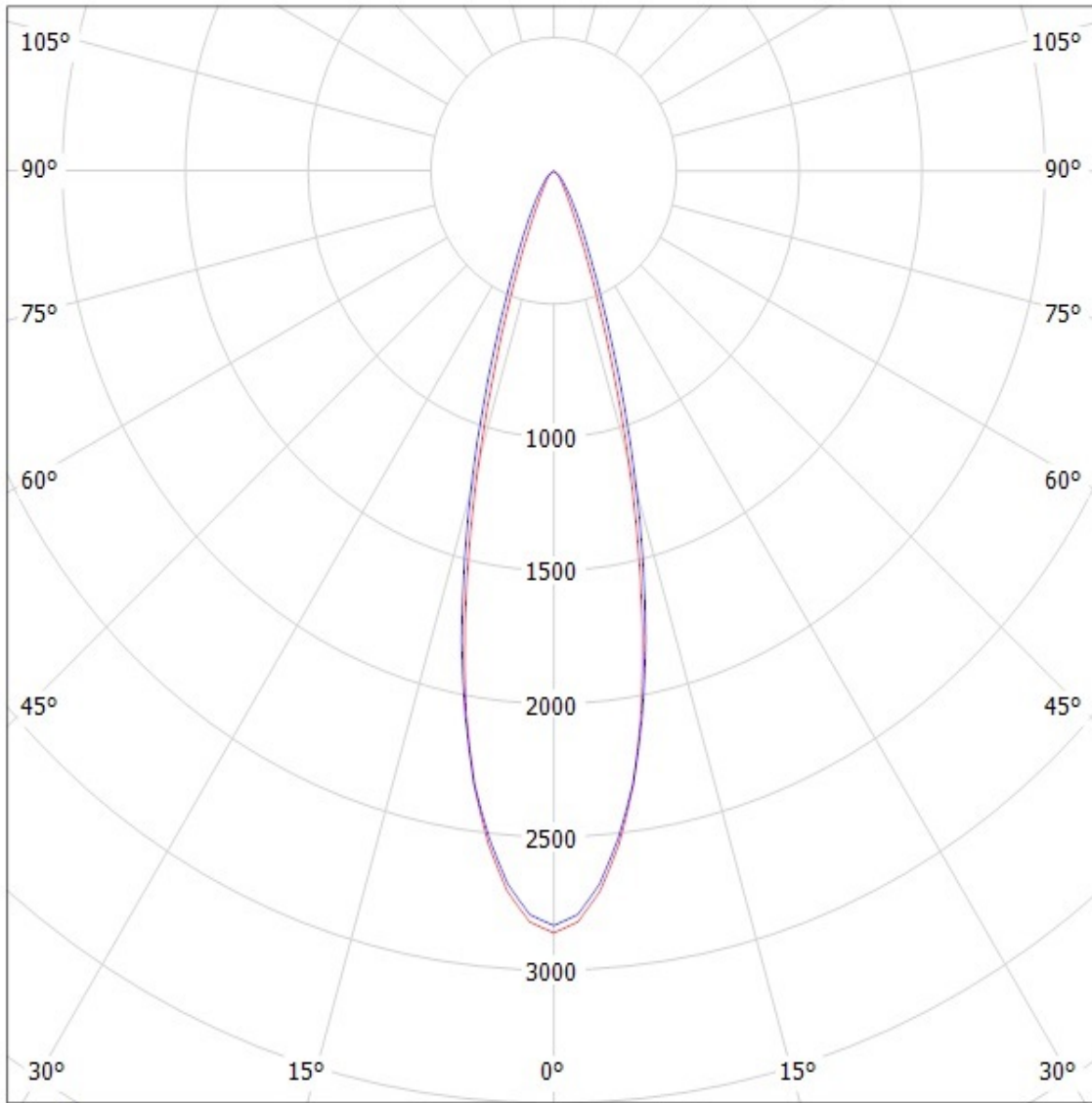
cd/klm

— C0 - C180 — C90 - C270

SIMULATED

# Ledil Oy CA11265\_Heidi-M-XP CA11265\_Heidi-M-XP / LDC (Polar)

Luminaire: Ledil Oy CA11265\_Heidi-M-XP CA11265\_Heidi-M-XP  
Lamps: 1 x Cree XP-E



cd/klm

— C0 - C180

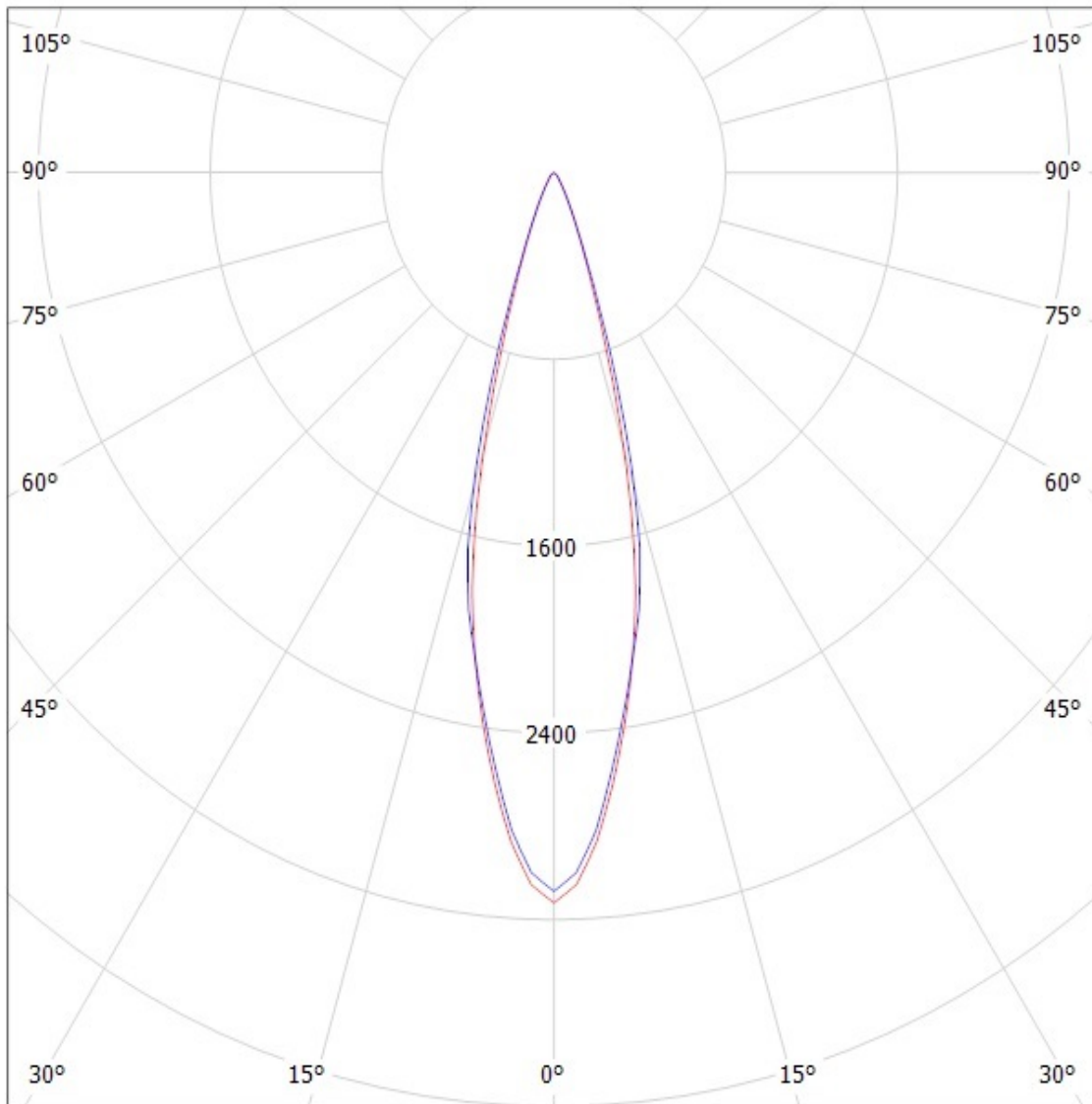
— C90 - C270

**SIMULATED**

# Ledil Oy CA11265-Heidi-M-OSL CA11265-Heidi-M-OSL / LDC (Polar)

Luminaire: Ledil Oy CA11265-Heidi-M-OSL CA11265-Heidi-M-OSL

Lamps: 1 x Osram Oslon 80 deg white



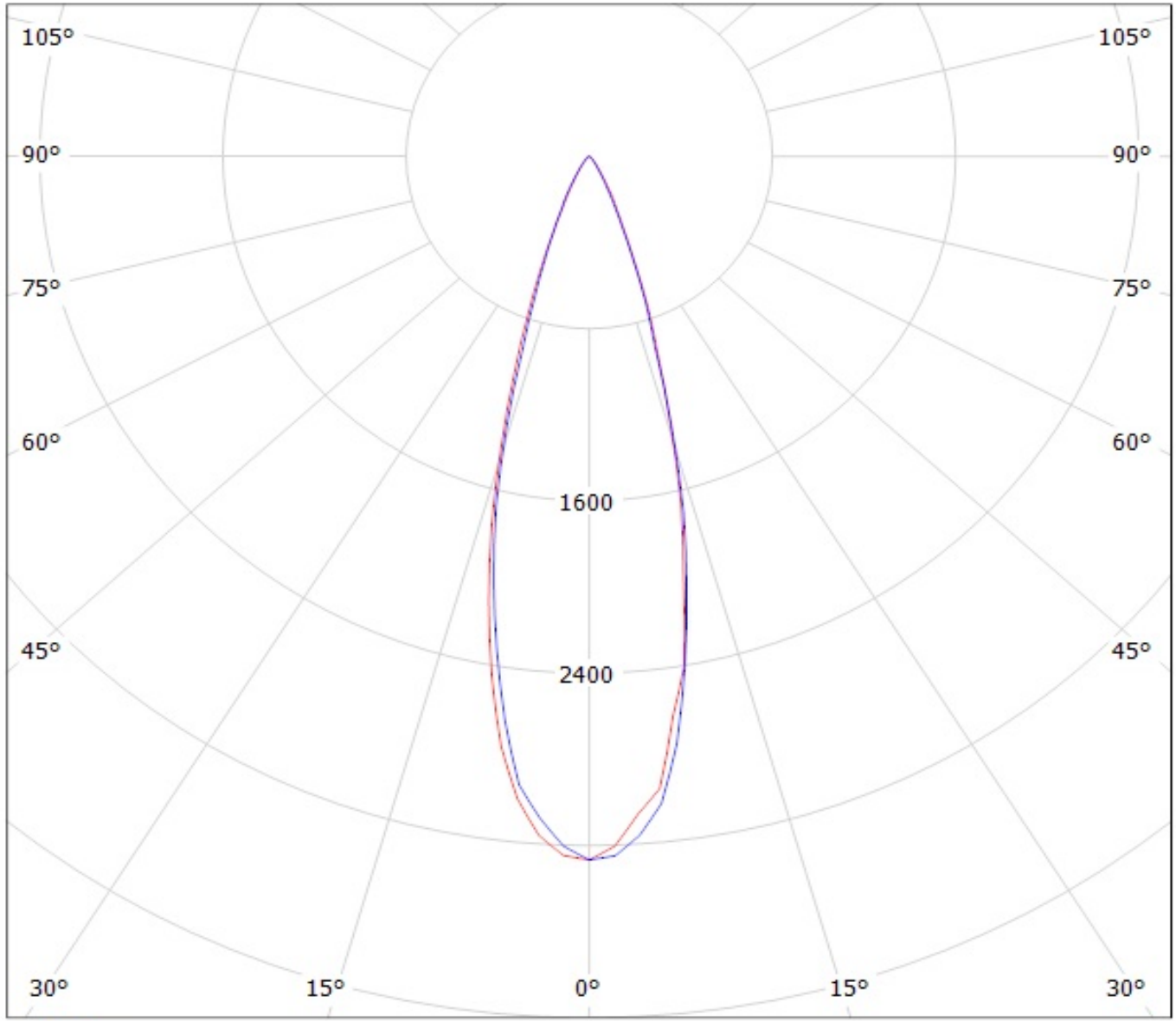
cd/klm

— C0 - C180 — C90 - C270

**SIMULATED**



Luminaire: Ledil Oy CA11265\_HEIDI-M (Nichia 219B 109lm @ 250mA) Efficiency=90%  
Lamps: 1 x Nichia 219B 109lm @ 250mA

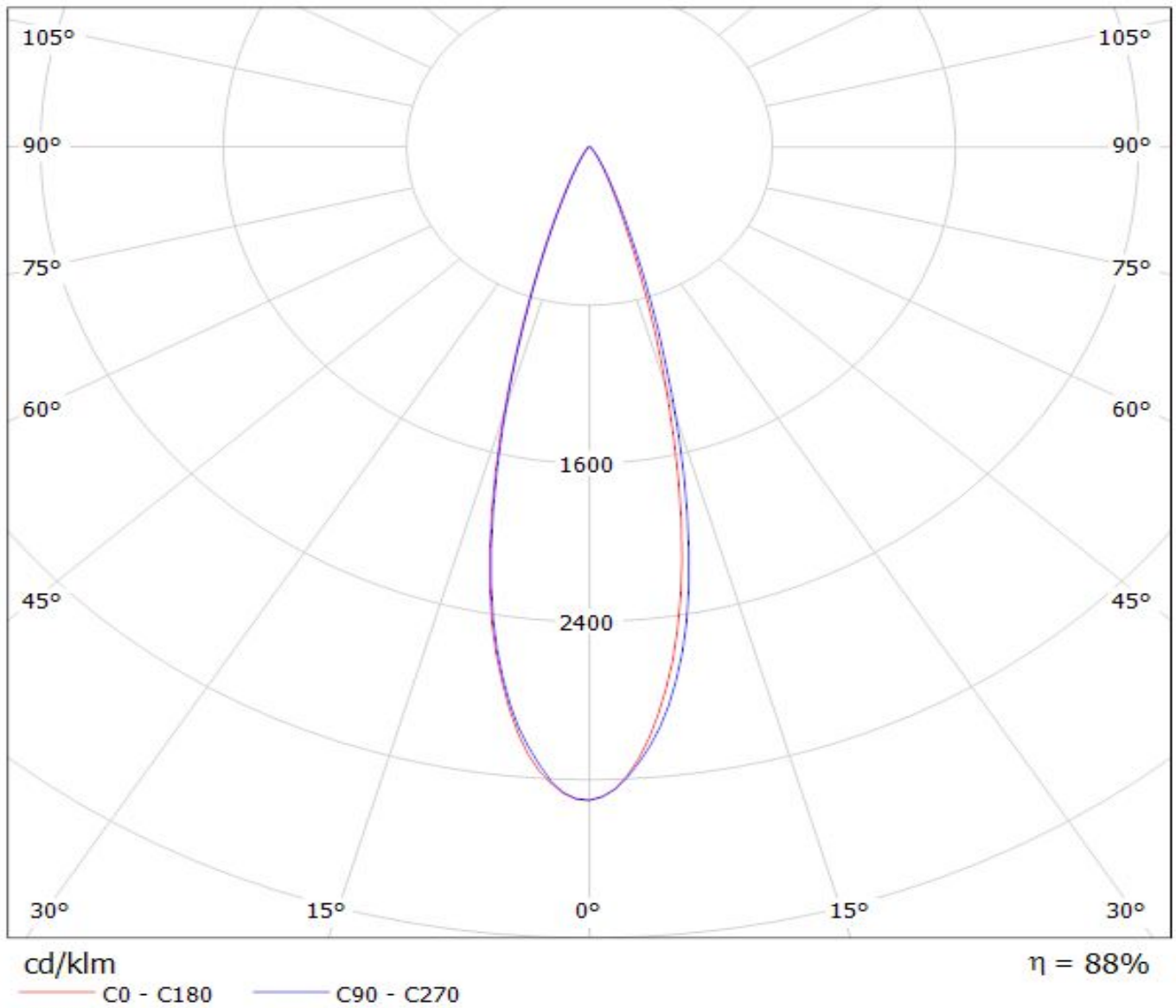


cd/klm  
— C0 - C180    — C90 - C270

# LEDiL Oy CA11265\_HEIDI-M\_(LUXEON\_T)\_3 Eff.87.6% / LDC (Polar)

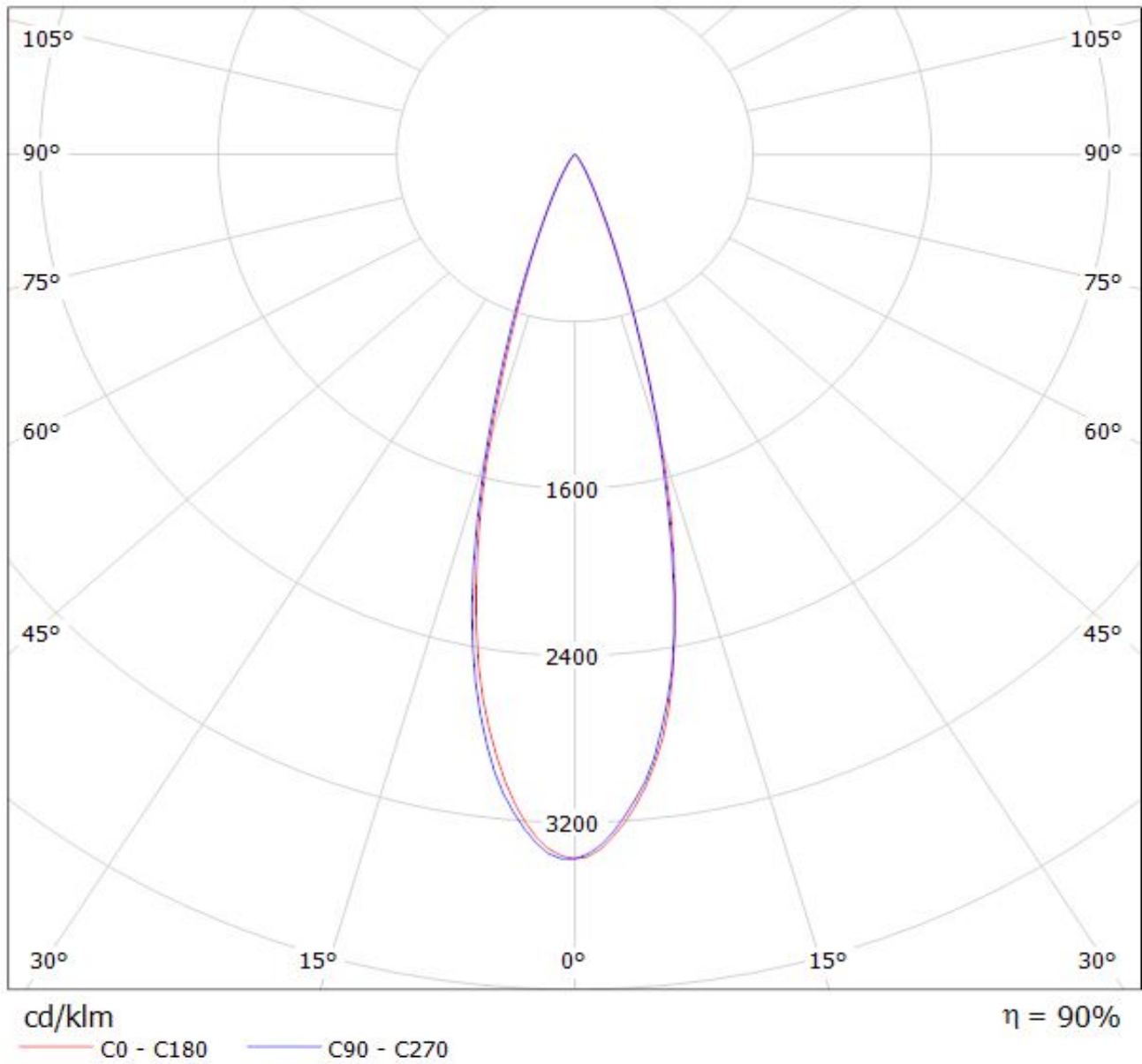
Luminaire: LEDiL Oy CA11265\_HEIDI-M\_(LUXEON\_T)\_3 Eff.87.6%

Lamps: 1 x LUXEON T (74lm@250mA)

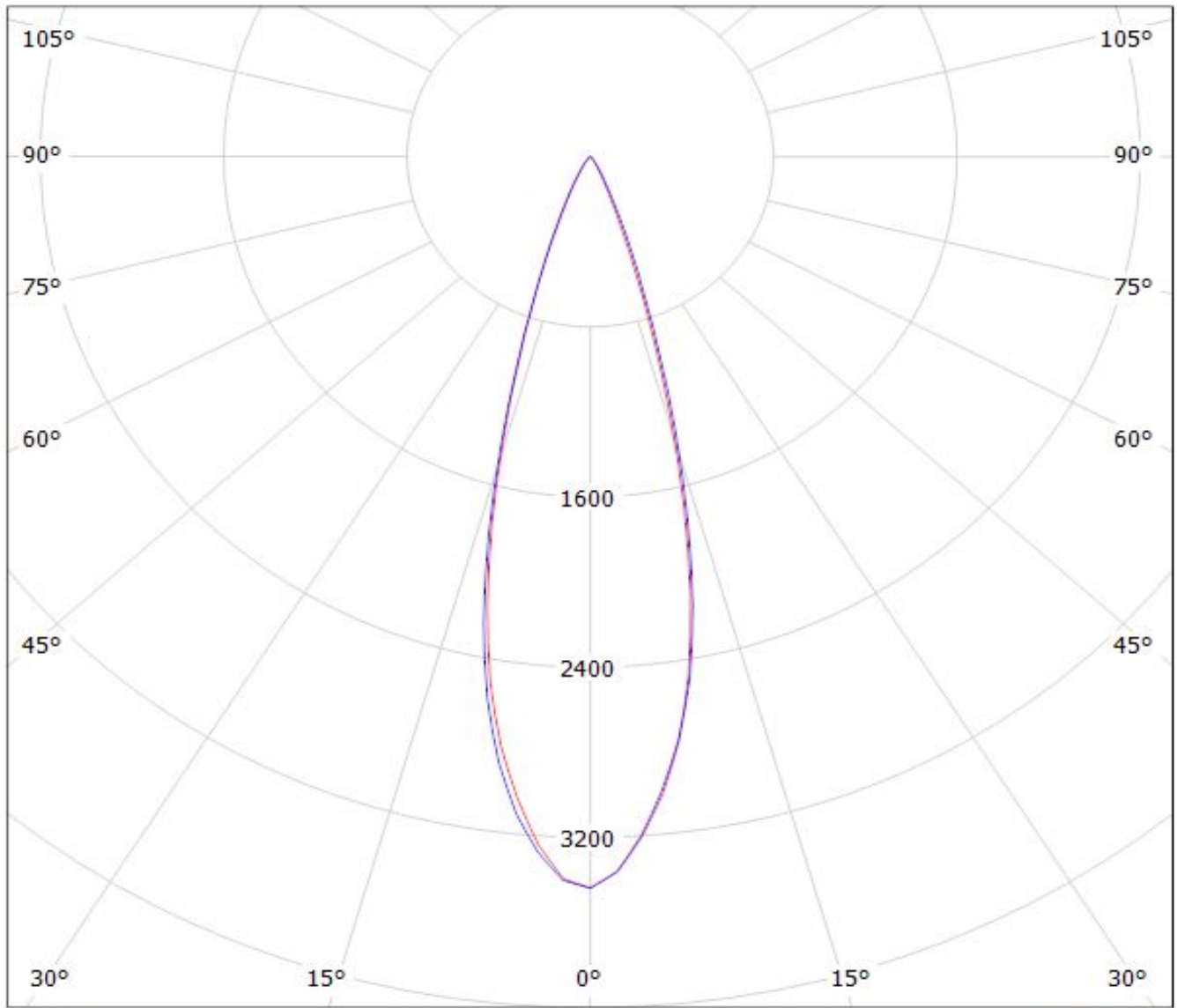


Luminaire: Ledil Oy CA11265\_HEIDI-M\_(Z5M1)

Lamps: 1 x SEOUL Z5M1 108lm@250mA (SZ5M1-W0-C8/W1-A5-G)



Luminaire: Ledil Oy CA11265\_HEIDI-M\_(Luxeon\_TX) Efficiency=88%  
Lamps: 1 x Luxeon TX (L1T2-3585) 108lm @ 250mA CCT=3521K P=0.73W I=250mA



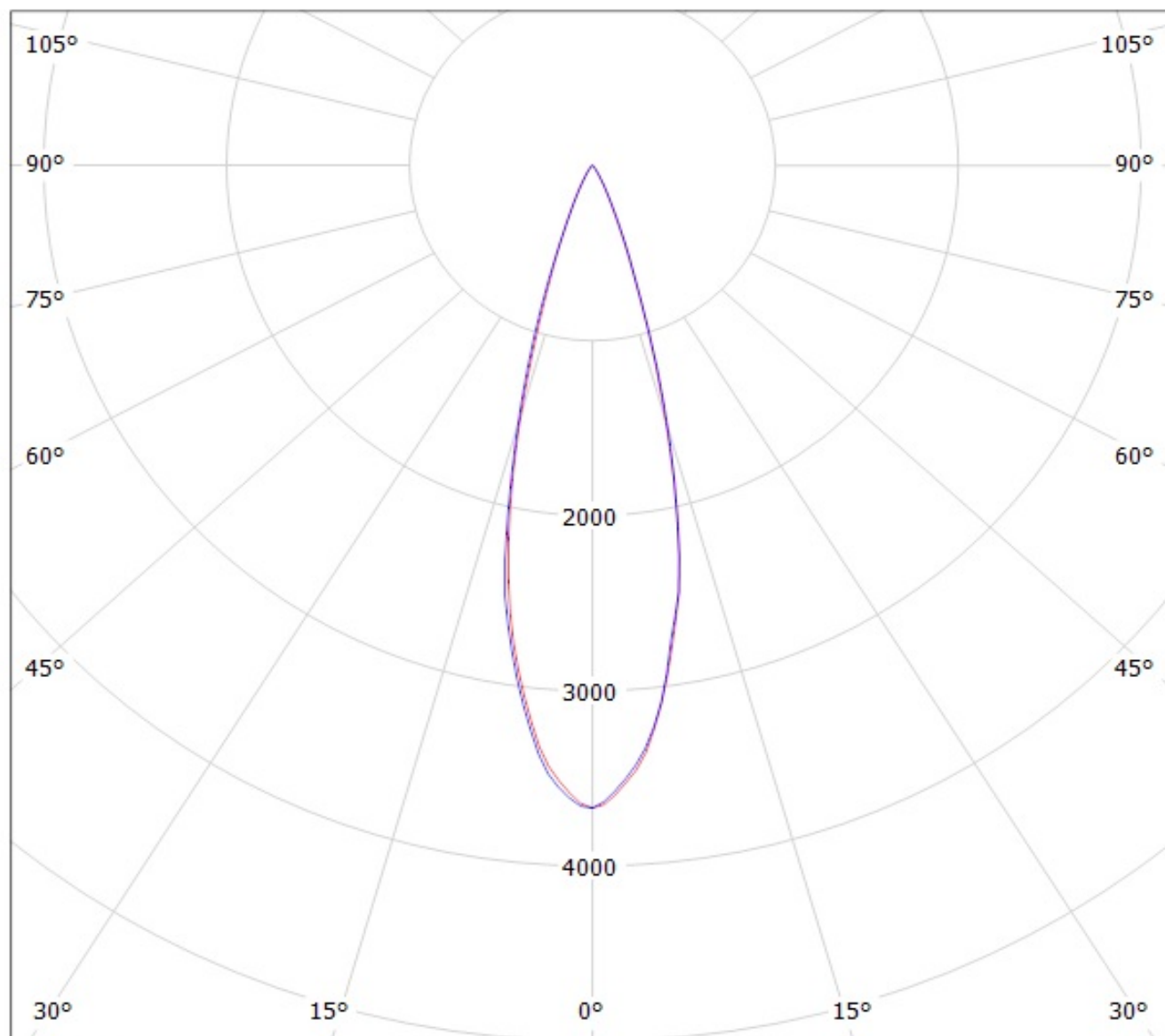
cd/klm

$\eta = 89\%$

— C0 - C180 — C90 - C270

Luminaire: Ledil Oy Efficiency=88%

Lamps: 1 x Nichia NCSxx19B (NCSL119BE) 88lm @ 250mA CCT=3000K P=0.8W I=250mA



cd/klm

— C0 - C180

— C90 - C270

**NOTE: The typical divergence will be changed by different color, chip size and chip position tolerance. The typical total divergence is the full angle measured where the luminous intensity is half of the peak value.**