



PRODUCT DATASHEET

Stradella series

last update 11/12/2017

DETAILS

Product Number	C16156_STRADELLA-16-HB-O
Family	Stradella
Type	Lens
Color	clear
Diameter	mm
Height	mm
Style	
Optic Material	PMMA
Holder Material	
Fastening	
Status	production ready
ROHS Compliant	Yes
Date Updated	11/12/2017



OPTICAL PROPERTIES

LED	Viewing Angle	Light Beam	Efficiency	cd/lm	Connector
XP-G2	sim: 71+20	Oval	sim: 87 %	sim: 1.200	-
XT-E	sim: 67+19	Oval	sim: 87 %	sim: 1.200	-
XP-G3	sim: 70+25	Oval	sim: 92 %	sim: 0.960	-
LUXEON 3030 2D	sim: 50+16	Oval	sim: 91 %	sim: 1.500	-
SunLike 3030	61+16 deg	Oval	94 %	1.500	-

H G F E D C B A

4

3

2

1

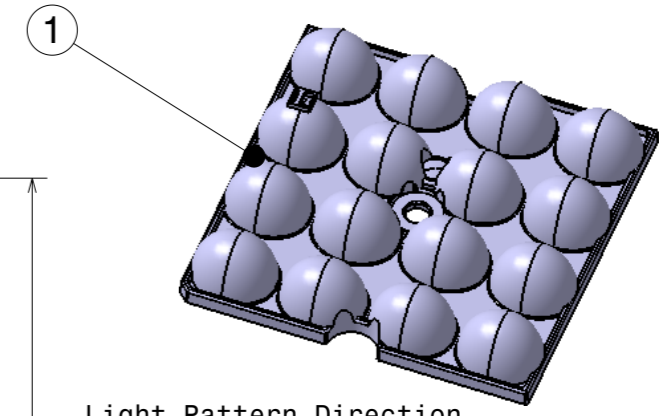
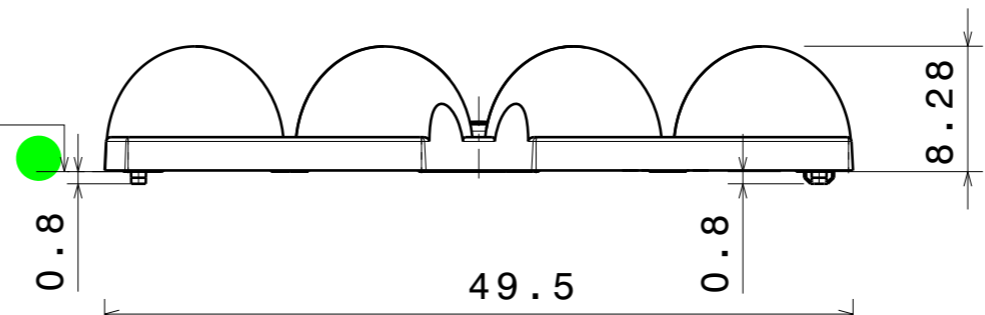
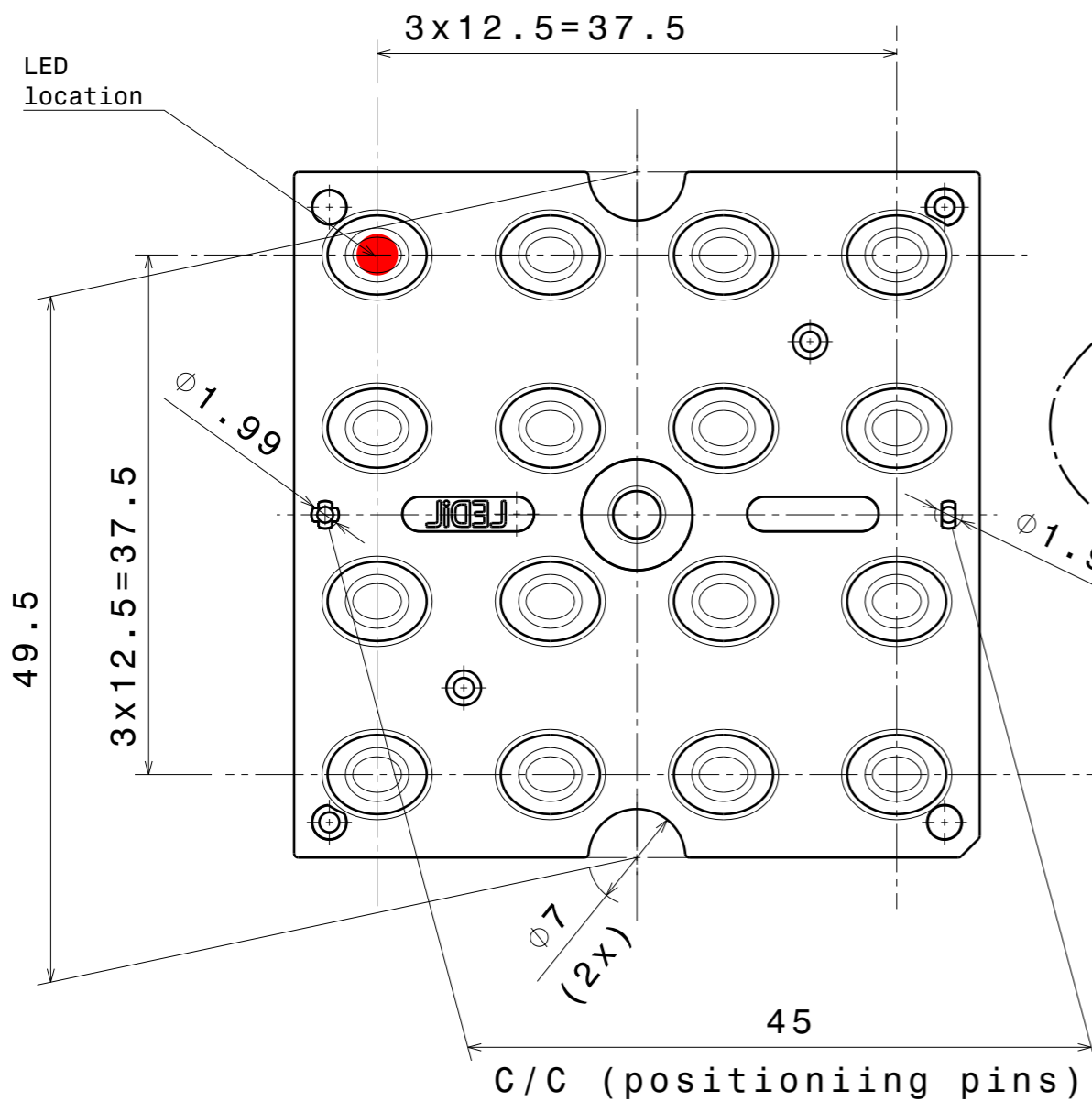
4

3

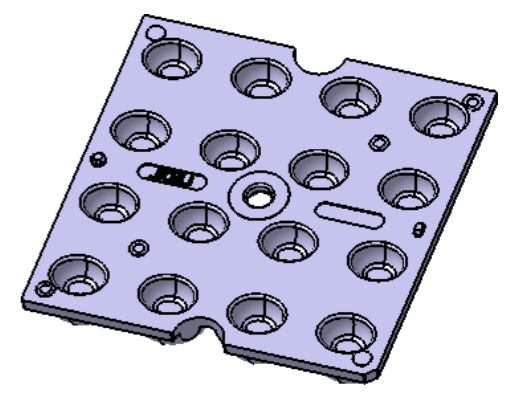
2

1

PWB level



Light Pattern Direction



COMPONENTS

INDEX	PRODUCT	TYPE	MATERIAL	COLOUR/COATING
1	C16156_STRADELLA-16-HB-0	LENS	PMMA	CLEAR

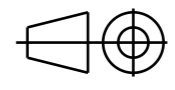
MECHANICAL DRAWING

PRODUCT
C16156_STRADELLA-16-HB-0

LEDiL[®]

Tolerances if not otherwise shown
According to DIN ISO 2768-1
Linear measures:
Up to 30mm class M, otherwise class C.
According to DIN ISO 2768-2
Form and position: class L

FIRST ANGLE PROJECTION:



This drawing is the property of LEDiL Oy. It may not be reproduced, copied or communicated without a written agreement with LEDiL Oy.

SCALE	2:1 (1:1)	SIZE	A3	SHEET	1/1
-------	-----------	------	----	-------	-----

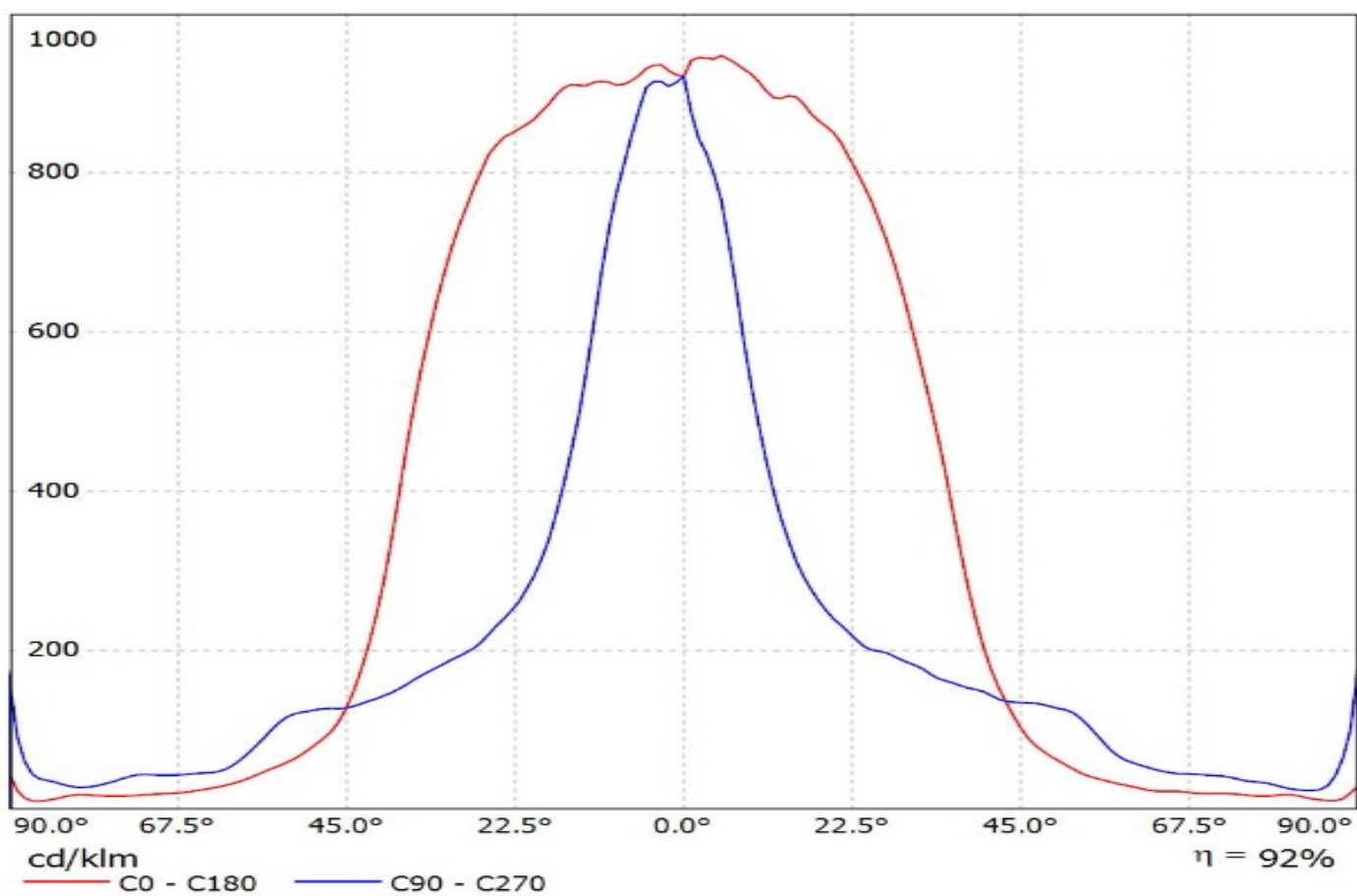
Recommended chip layout for optimal performance with 2-chip led type

Notes

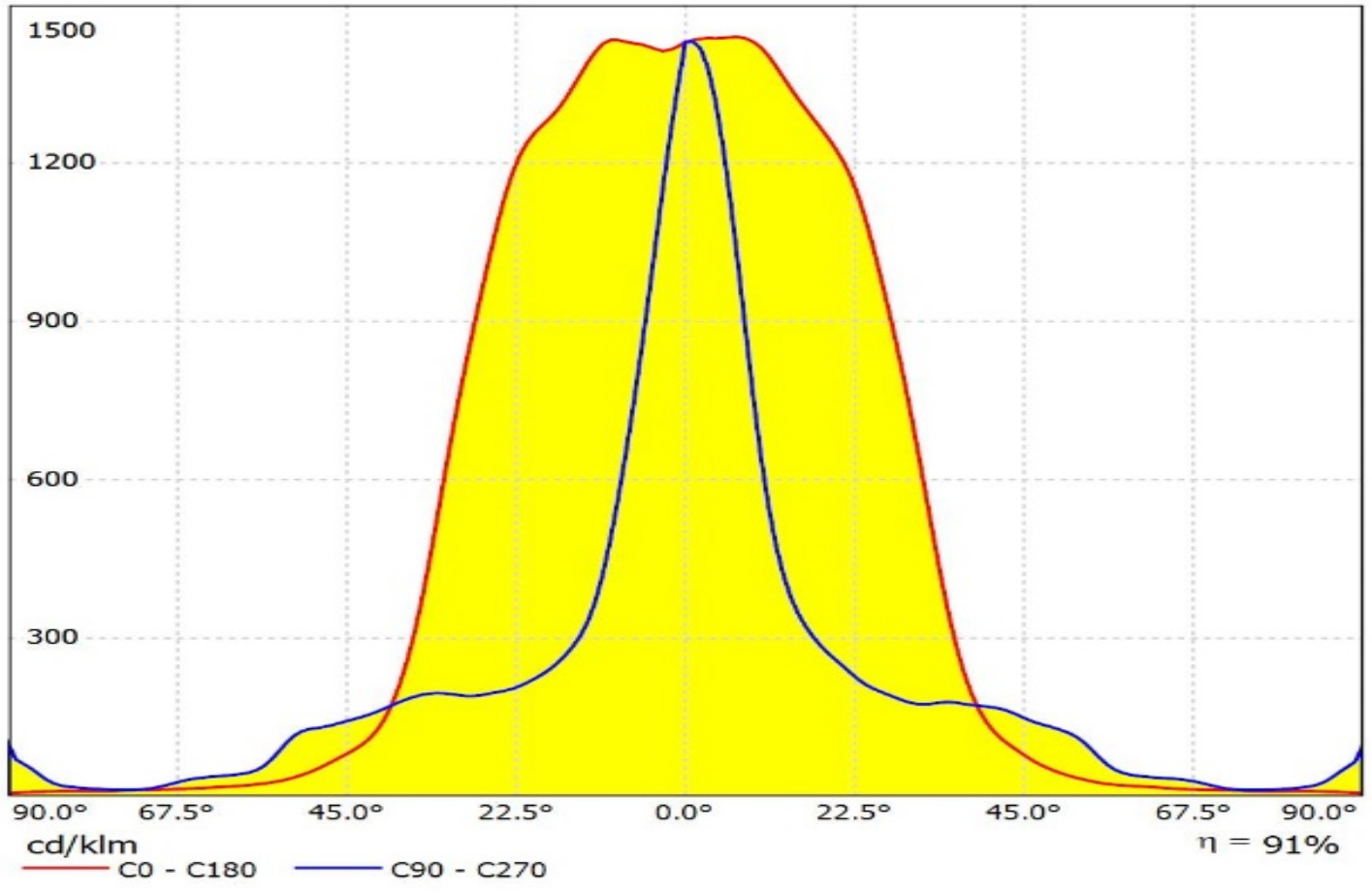
	PCB or heat sink level
	Led location
Ensure LED fitting from a product specific 3D model available from www.ledil.com	

H G F E D C B A

Luminaire: Ledil Oy C16156_STRADELLA-16-HB-O_(XP-G3)_SIMULATED
Lamps: 1 x Cree XP-G3

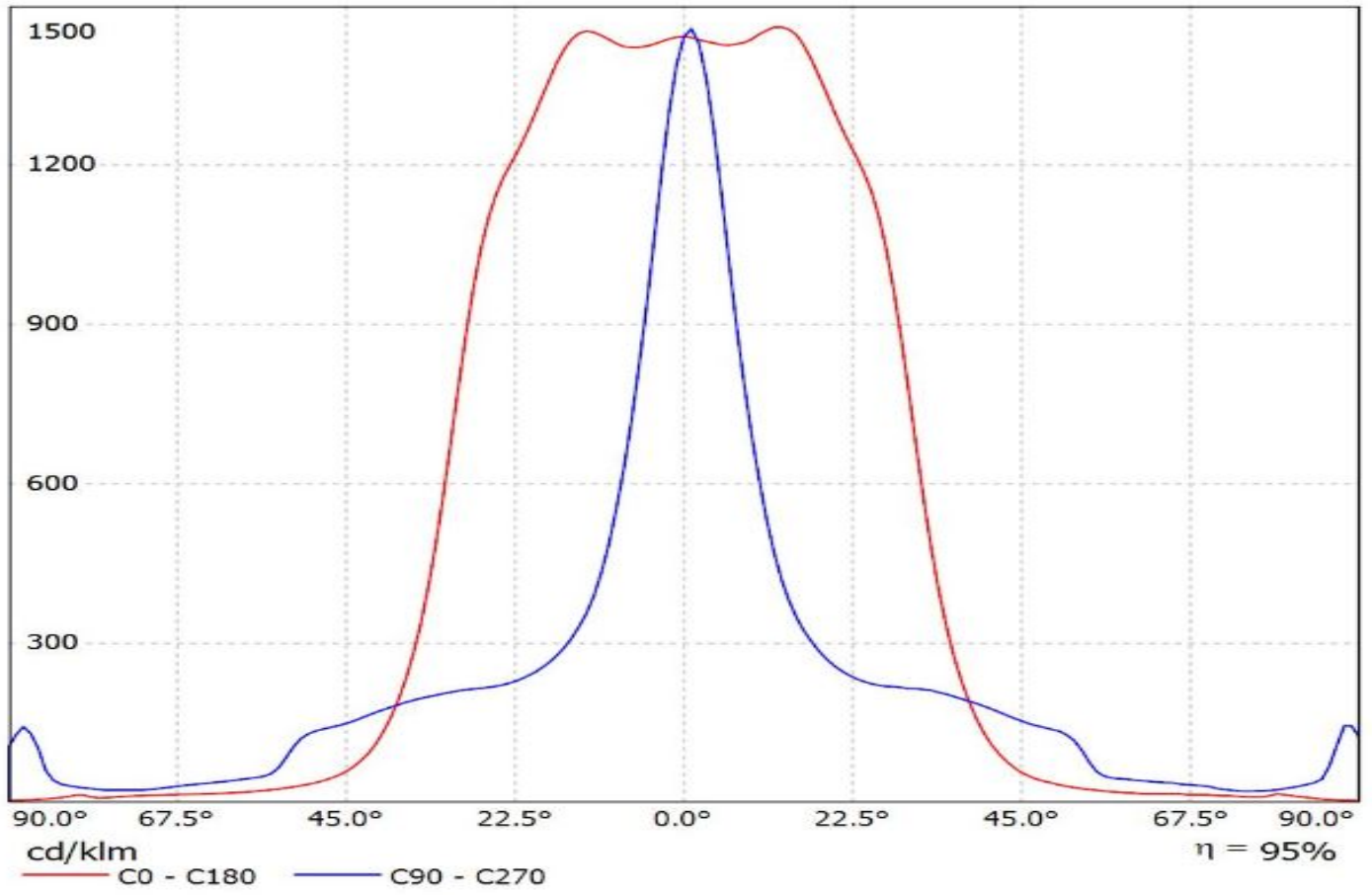


Luminaire: Ledil Oy C16156_STRADELLA-16-HB-O_SIMULATED
Lamps: 1 x LUMILEDS_LUXEON_3030_2D



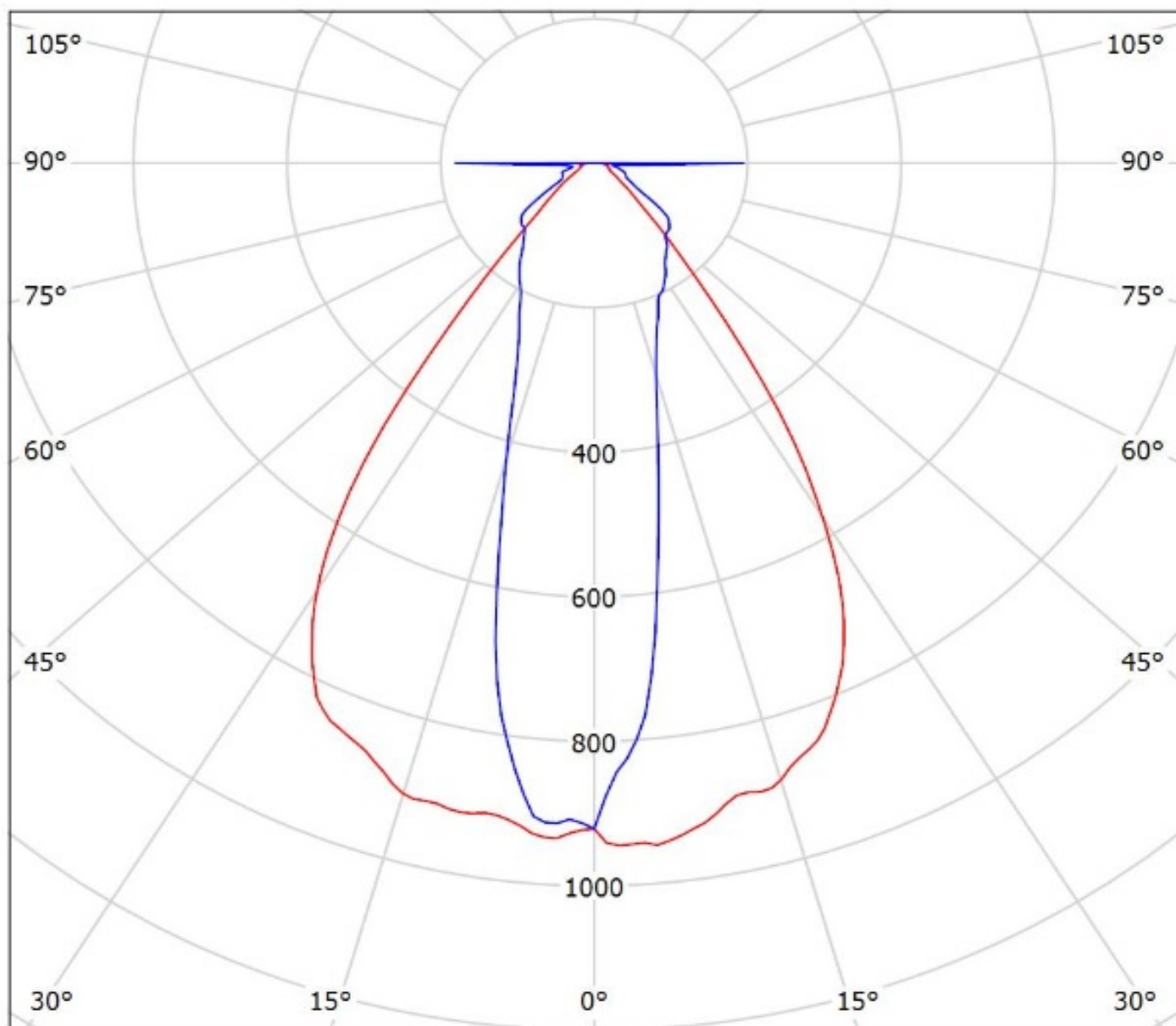
Luminaire: Ledil C16156_STRADELLA-16-HB-O_(SunLike_3030)

Lamps: 1 x Seoul_SunLike_3030_(STW9C2PB-S)_75.9443lm@65mA_P=0.75946W_U=11.702V



Luminaire: Ledil Oy C16156_STRADELLA-16-HB-O_(XP-G3)_SIMULATED

Lamps: 1 x Cree XP-G3

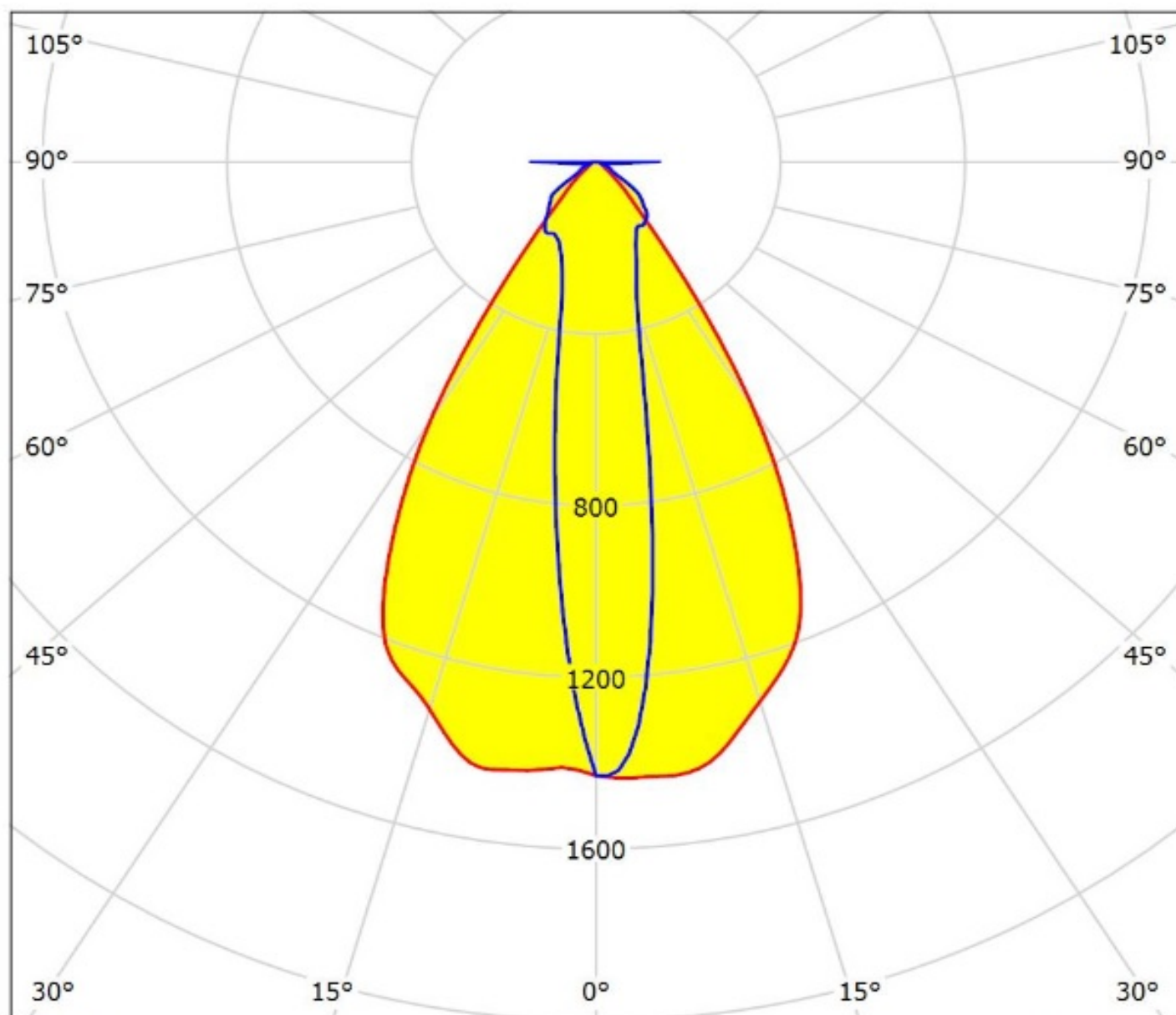


cd/klm

— C0 - C180 — C90 - C270

$\eta = 92\%$

Luminaire: Ledil Oy C16156_STRADELLA-16-HB-O_SIMULATED
Lamps: 1 x LUMILEDS_LUXEON_3030_2D



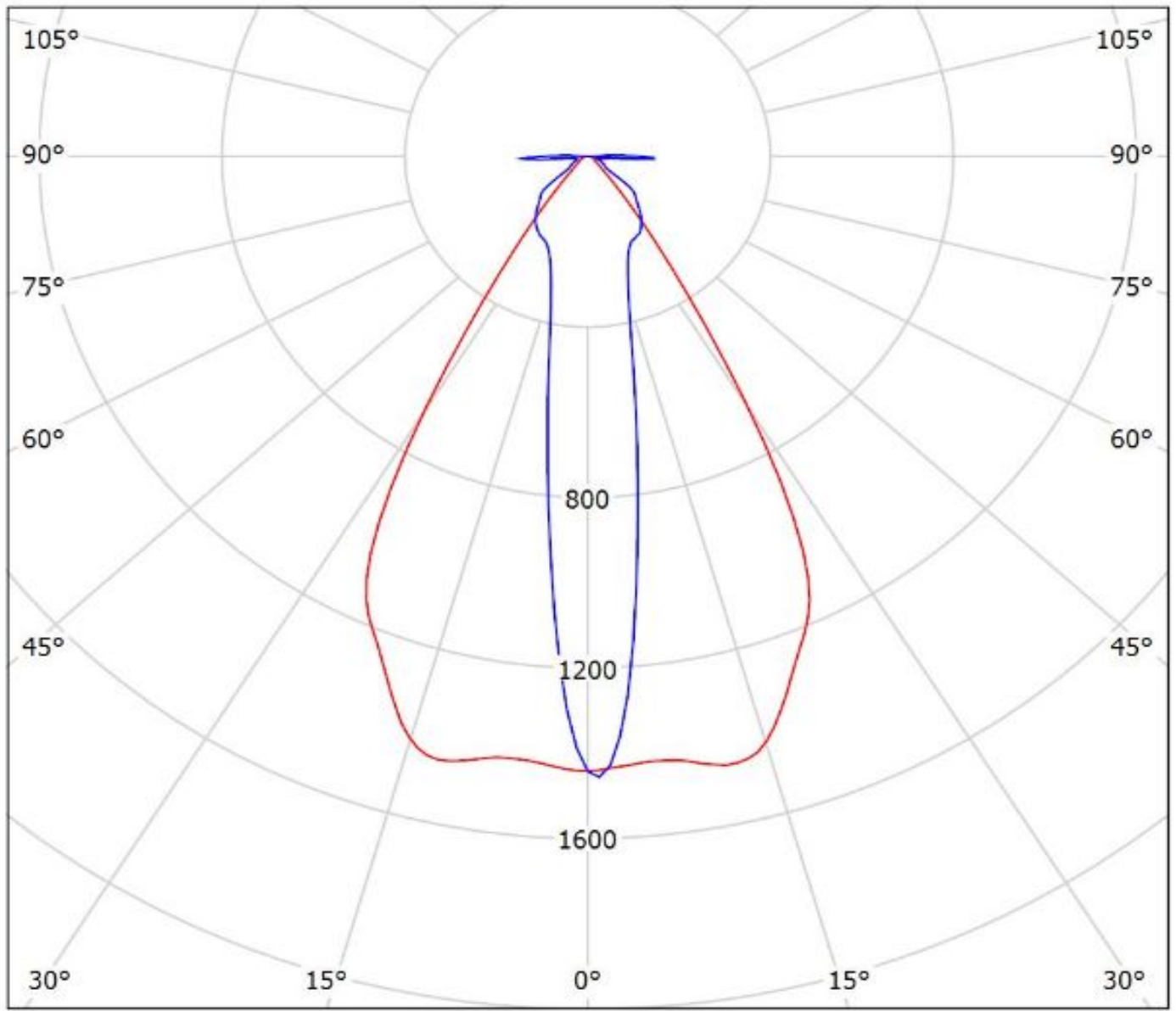
cd/klm

— C0 - C180 — C90 - C270

$\eta = 91\%$

Luminaire: Ledil C16156_STRADELLA-16-HB-O_(SunLike_3030)

Lamps: 1 x Seoul_SunLike_3030_(STW9C2PB-S)_75.9443lm@65mA_P=0.75946W_U=11.702V



cd/klm

— C0 - C180 — C90 - C270

$\eta = 95\%$

NOTE: The typical divergence will be changed by different color, chip size and chip position tolerance. The typical total divergence is the full angle measured where the luminous intensity is half of the peak value.