

## DETAILS

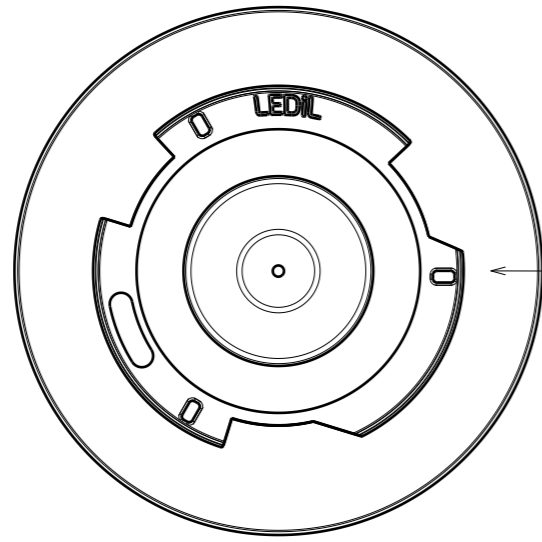
<b>Product Number</b>	C15801_MOLLY-M
<b>Family</b>	Molly
<b>Type</b>	Lens
<b>Color</b>	clear
<b>Diameter</b>	69,8 mm
<b>Height</b>	23,6 mm
<b>Style</b>	round
<b>Optic Material</b>	PMMA
<b>Holder Material</b>	
<b>Fastening</b>	
<b>Status</b>	production ready
<b>ROHS Compliant</b>	Yes
<b>Date Updated</b>	10/08/2017



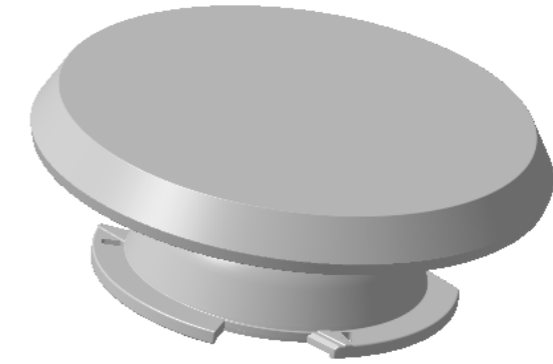
## OPTICAL PROPERTIES

LED	Viewing Angle	Light Beam	Efficiency	cd/lm	Connector
-	NA deg	Medium	-	sim: 0.000	-
-	NA deg	Medium	-	sim: 0.000	-
-	NA deg	Medium	-	sim: 0.000	-
-	NA deg	Medium	-	sim: 0.000	-
CLL03x/CLU03x	36 deg	Medium	89 %	2.060	Bender Wirth: 433 Typ L1
CLL02x/CLU02x (LES10)	sim: 30	Medium	sim: 89 %	sim: 3.600	Bender Wirth: 434 Typ L1
CXA/B 1816 & CXA/B 1820 & CXA 1850	sim: 33	Medium	sim: 90 %	sim: 3.070	LEDiL: C14123_CLAMP-CXA15-18
CXA/B 25xx	sim: 36	Medium	sim: 88 %	sim: 2.200	LEDiL: C14036_CLAMP-CXA25-30
SLE G6 LES19 H	sim: 34	Medium	sim: 85 %	sim: 2.600	TE: OPTIC CLIP Z50 TYPE1 2213194-1
SLE G6 LES17 H	sim: 32	Medium	sim: 87 %	sim: 2.900	TE: OPTIC CLIP Z50 TYPE1 2213194-1
SLE G6 LES15 H D50	sim: 30	Medium	sim: 85 %	sim: 0.000	TE: OPTIC CLIP Z50 TYPE1 2213194-1

Bottom view  
Scale: 1:1

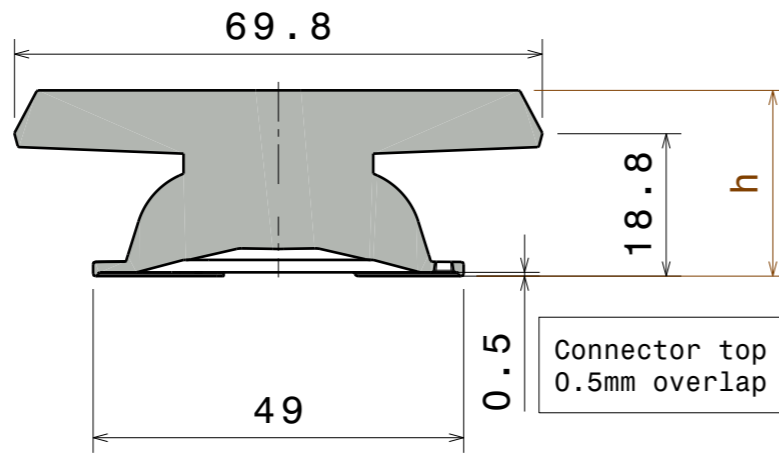


Direct bayonet fit to standard 3-hook connector designs

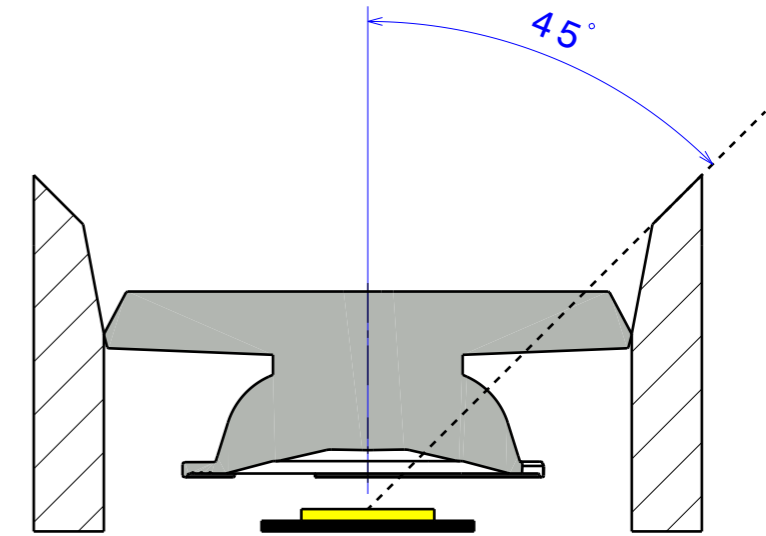


Isometric view  
Scale: 1:1

Section view A-A  
Scale: 1:1

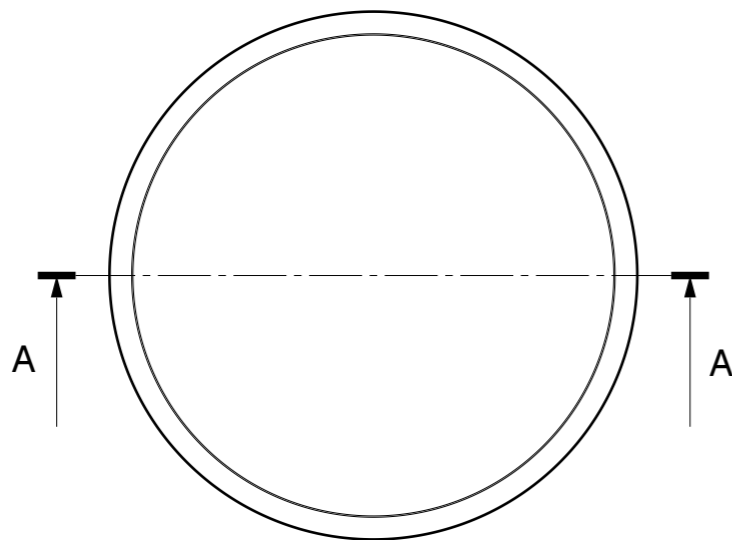


Connector top edges  
0.5mm overlap with optic



Typical recessed mounting

Top view  
Scale: 1:1



Part no. h

C15800_MOLLY-S	24.8
C15801_MOLLY-M	23.6
C15802_MOLLY-W	22.1

INDEX	PART NO	DESCRIPTION	MATERIAL	COLOUR
1	C15800 C15801 C15802	MOLLY	PMMA	Clear

Tolerances if not otherwise shown  
According to DIN ISO 2768-1  
Linear measures:  
Up to 30mm class F, otherwise class M.  
According to DIN ISO 2768-2  
Form and position: class K  
Control for SPC marked dimensions.



Ledil Oy  
Salorankatu 10  
FIN 24240 SALO  
Finland

THIRD ANGLE PROJECTION:



DRAWING TITLE

MOLLY

This drawing is the property  
of LEDiL Oy. It may not be  
reproduced, copied or  
communicated without a written  
agreement with LEDiL Oy.

SIZE  
A3

PART NUMBER  
C15800\_ C15801, C15802

SCALE

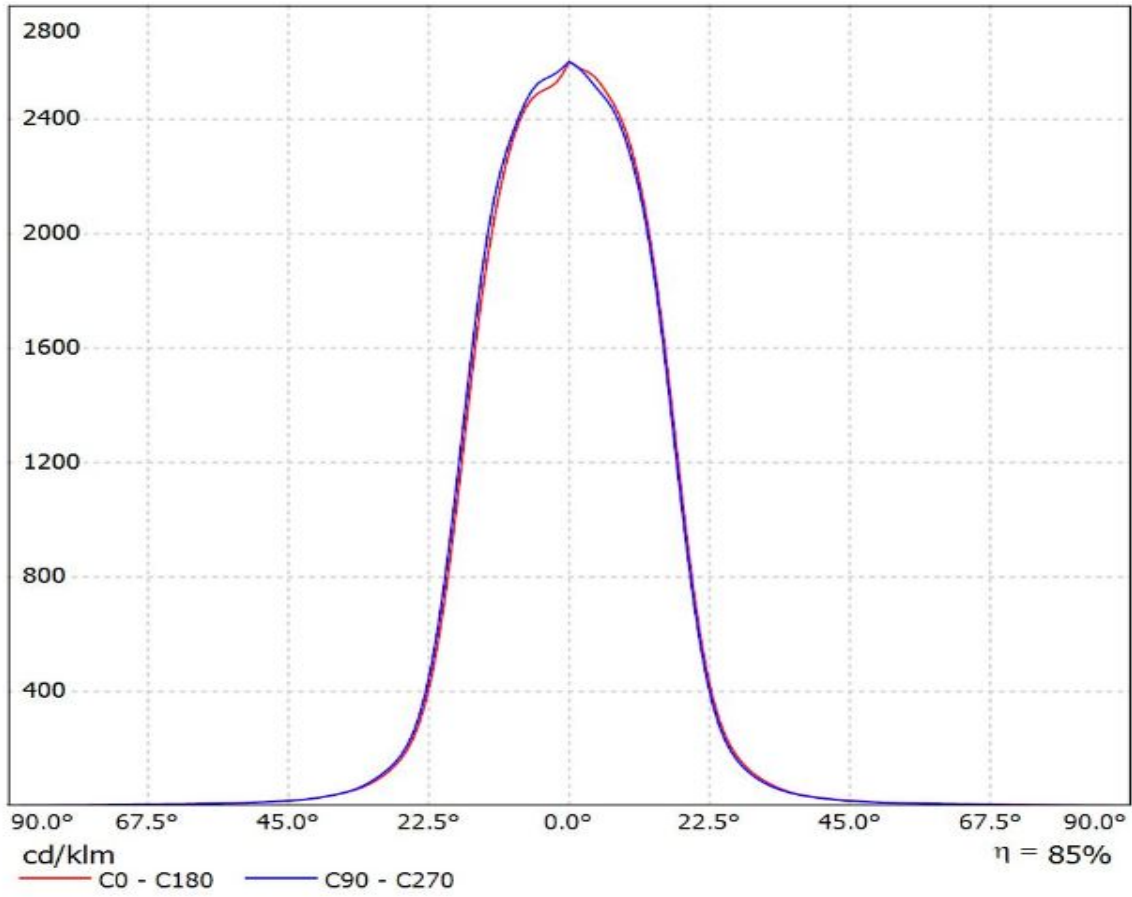
1:1

WEIGHT

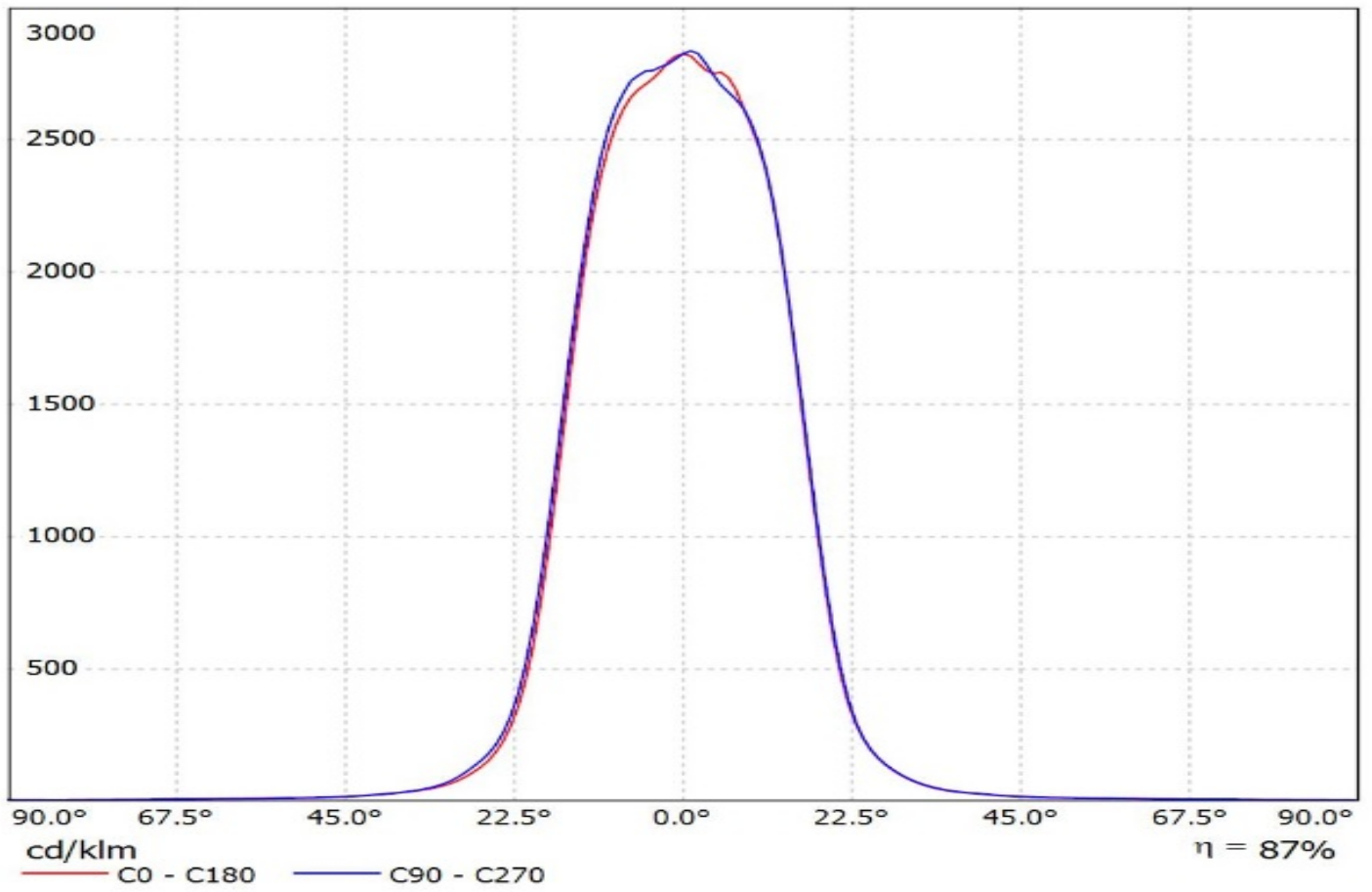
- g

SHEET

1/1

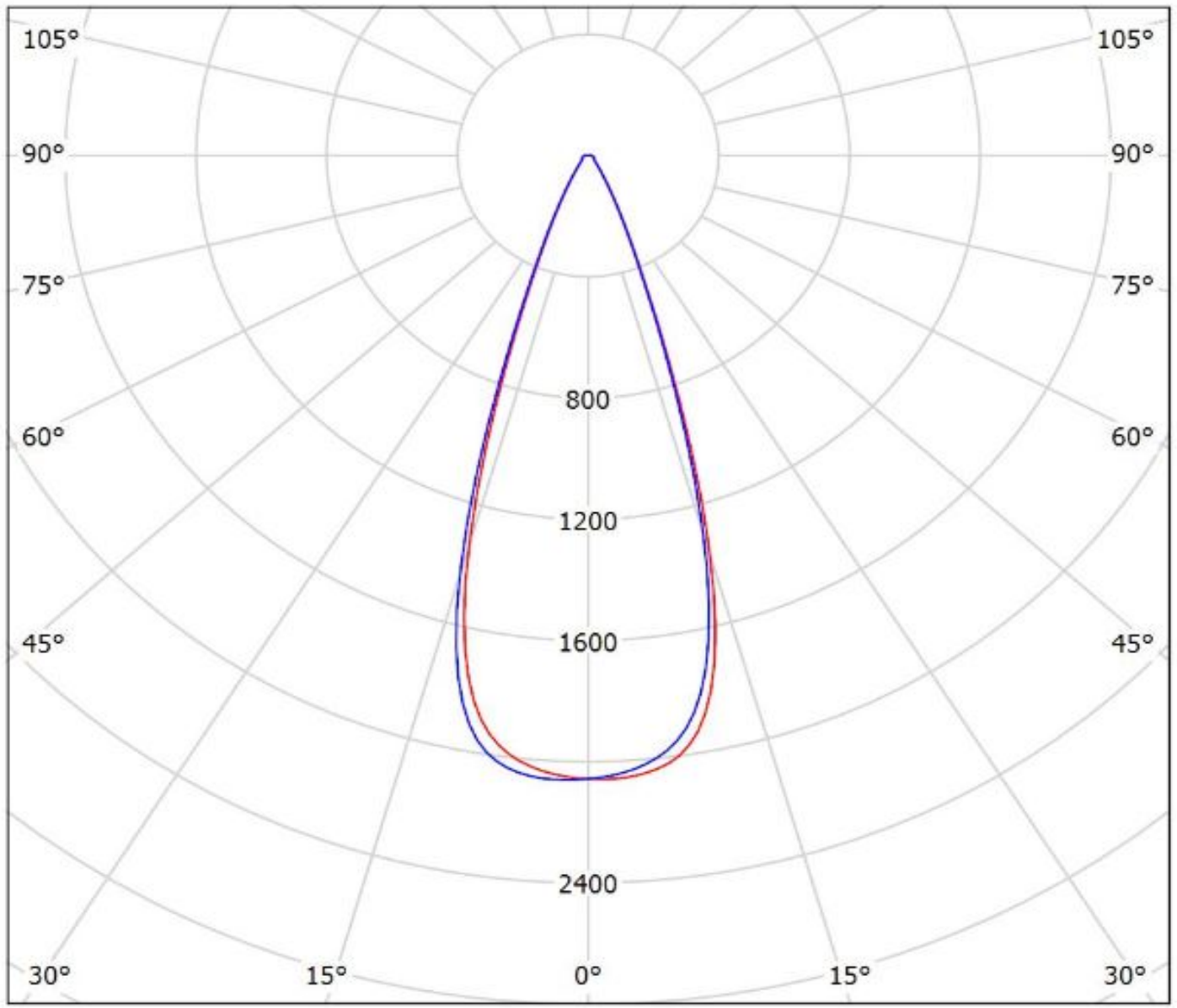


Luminaire: Ledil Oy C15801\_MOLLY-M\_(SLE\_G6\_LES17\_H)\_ (2213194-1)\_SIMULATED  
Lamps: 1 x Tridonic SLE G6 LES17 H



Luminaire: LEDiL Oy CN15804\_MOLLY-M\_(CLU034)

Lamps: 1 x Citizen\_CLU034\_(CLU034-1205B8-303M1A2)\_1144.11lm@250mA\_P=8.46472W\_I=0.25A

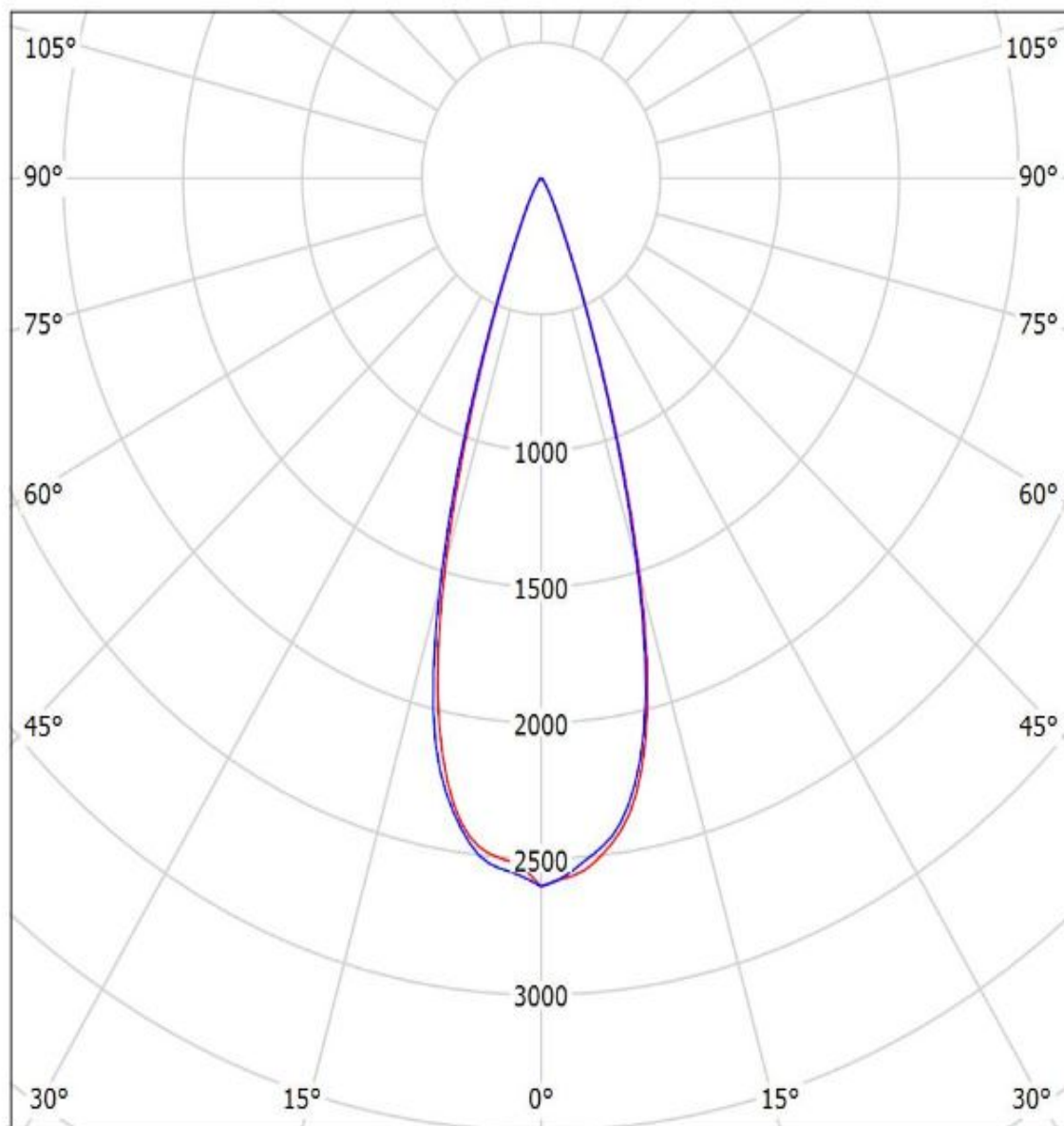


cd/klm

— C0 - C180    — C90 - C270

$\eta = 89\%$

Luminaire: Ledil Oy C15801\_MOLLY-M+\_TE\_2213194-1\_Z50\_Optical\_Clip\_Type1\_TRIDONIC\_SLE\_G6\_LES19\_H\_SIMULATED  
Lamps: 1 x TRIDONIC SLE G6 LES19 H

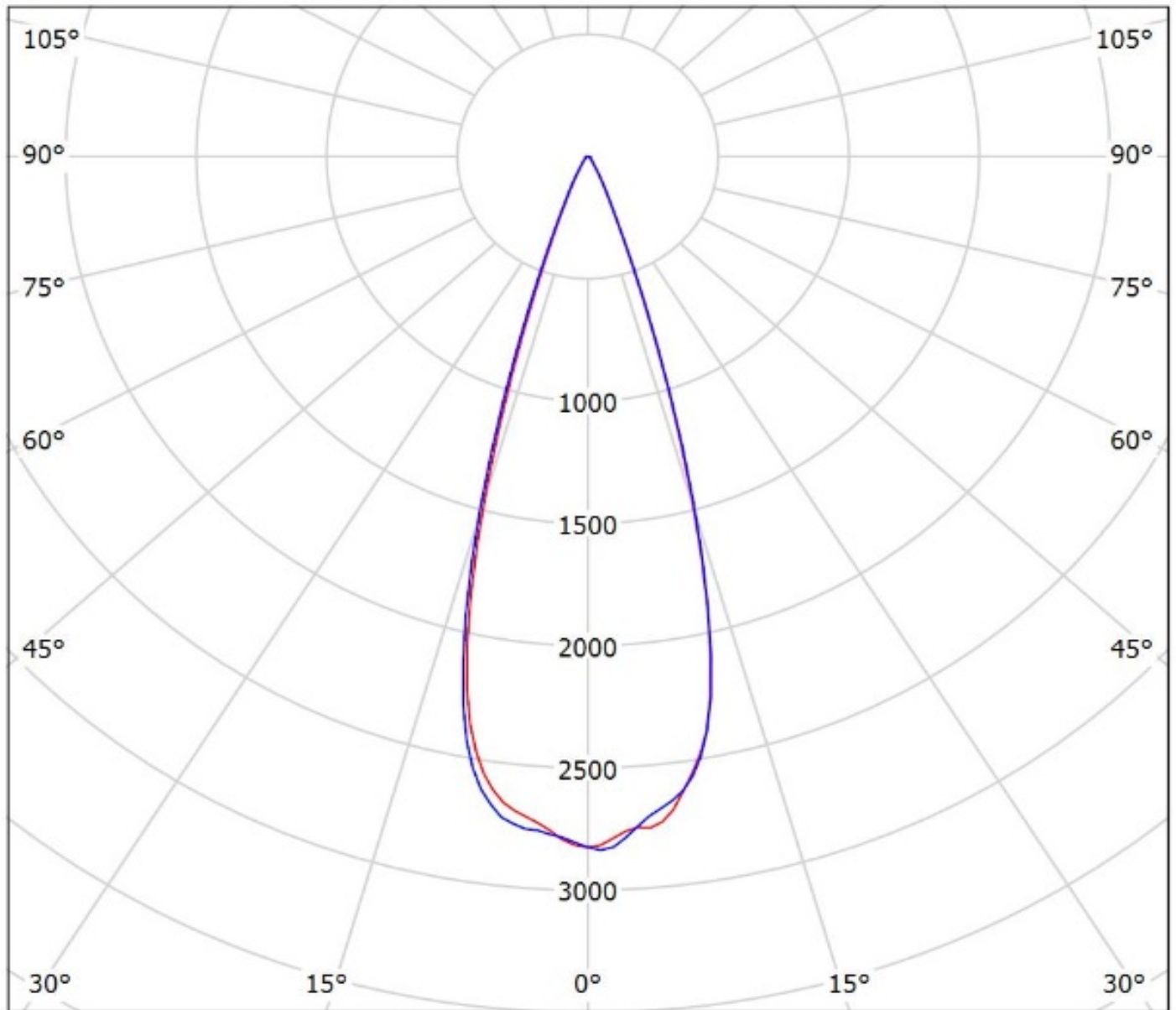


cd/klm

— C0 - C180 — C90 - C270

$\eta = 85\%$

Luminaire: Ledil Oy C15801\_MOLLY-M\_(SLE\_G6\_LES17\_H)\_(2213194-1)\_SIMULATED  
Lamps: 1 x Tridonic SLE G6 LES17 H



cd/klm

— C0 - C180 — C90 - C270

$\eta = 87\%$

**NOTE: The typical divergence will be changed by different color, chip size and chip position tolerance. The typical total divergence is the full angle measured where the luminous intensity is half of the peak value.**

### **GENERAL INFORMATION**

- Product series especially designed & optimized for series of LEDs.
- Special care taken to make light distribution as uniform as possible.

Note! Due to use of high power COB's with this product, special attention to proper thermal design is highly recommended. LEDiL has no liability for direct, indirect or consecutive damages arising from the LEDiL products being used outside of the recommended temperature range.