



# PRODUCT DATASHEET

## Strada-Module series

last update 7/11/2014

### DETAILS

<b>Product Number</b>	C14165_STRADA-2X2-ME-WIDE2
<b>Family</b>	Strada-Module
<b>Type</b>	Lens
<b>Color</b>	clear
<b>Diameter</b>	50x50 mm
<b>Height</b>	7 mm
<b>Style</b>	square
<b>Optic Material</b>	PMMA
<b>Holder Material</b>	
<b>Fastening</b>	screw, pin
<b>Status</b>	ready
<b>ROHS Compliant</b>	Yes
<b>Date Updated</b>	24/04/2015



### OPTICAL PROPERTIES

LED	Viewing Angle	Light Beam	Efficiency	cd/lm	Connector
TL1L4	Asymmetric deg	Streetligh...	81 %	0.750	: Protective Plate, Glass
XP-G2	Asymmetric deg	Streetligh...	79 %	0.800	: Protective Plate, Glass

D

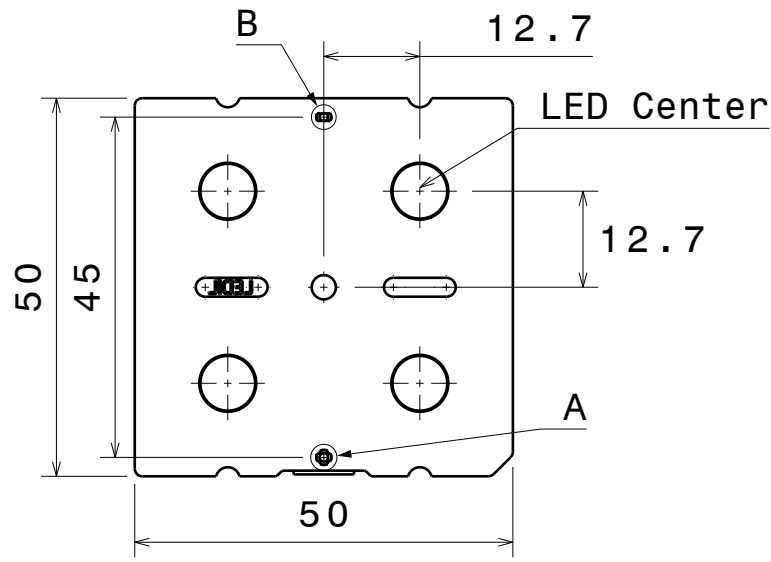
C

B

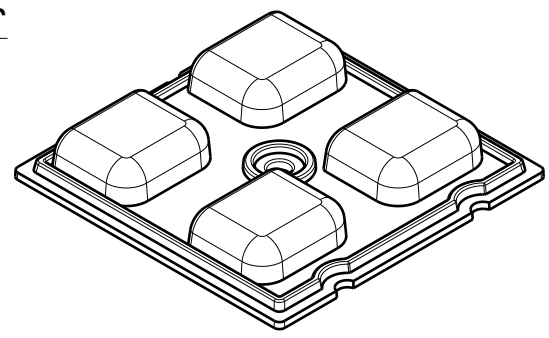
A

4

4



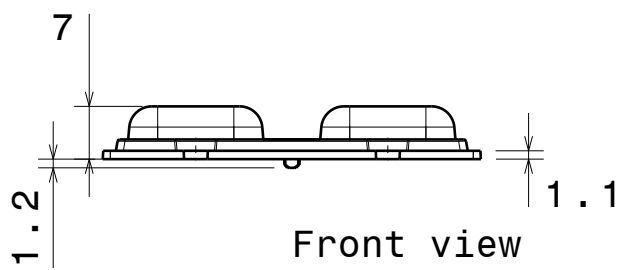
Bottom view



Isometric view

3

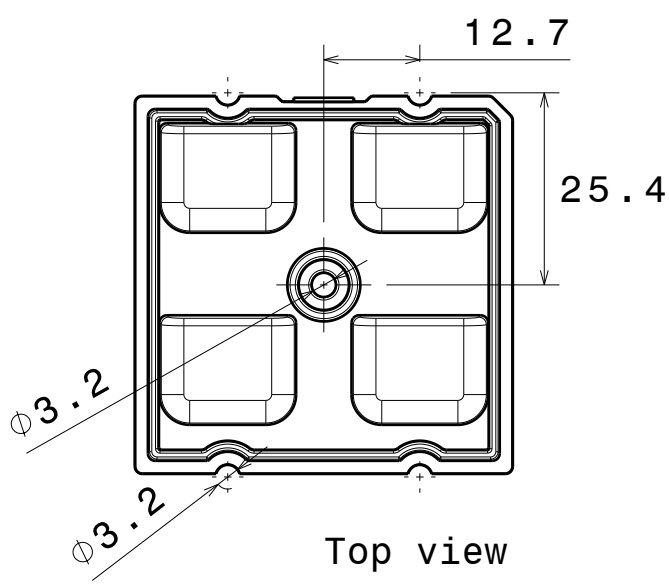
3



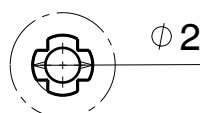
Front view

2

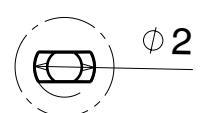
2



Top view



Detail A



Detail B

Tolerances if not otherwise shown  
 According to DIN ISO 2768-1  
 Linear measures:  
 Up to 30mm class M, otherwise class C.  
 According to DIN ISO 2768-2  
 Form and position: class L

**LEDiL** LediL Oy  
 Salorankatu 10  
 FIN 24240 SALO  
 Finland

THIRD ANGLE PROJECTION:

DRAWING TITLE  
**STRADA-2X2-ME-WIDE2**

This drawing is the property of LEDiL Oy. It may not be reproduced, copied or communicated without a written agreement with LEDiL Oy.

SIZE	PART NUMBER		
A4	C14165		

SCALE	1:1	WEIGHT	-	SHEET	1/1
-------	-----	--------	---	-------	-----

D

A

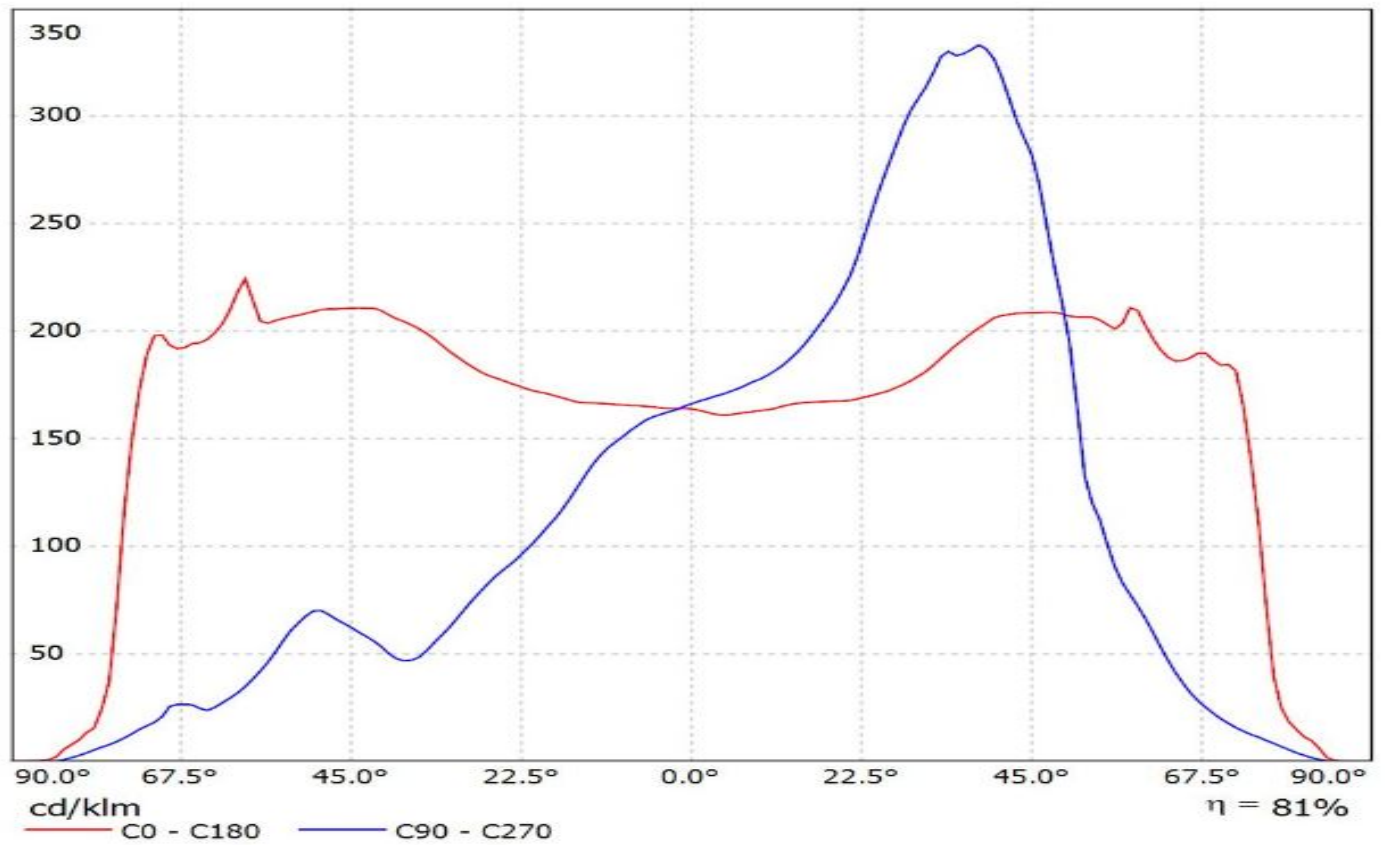
1

1

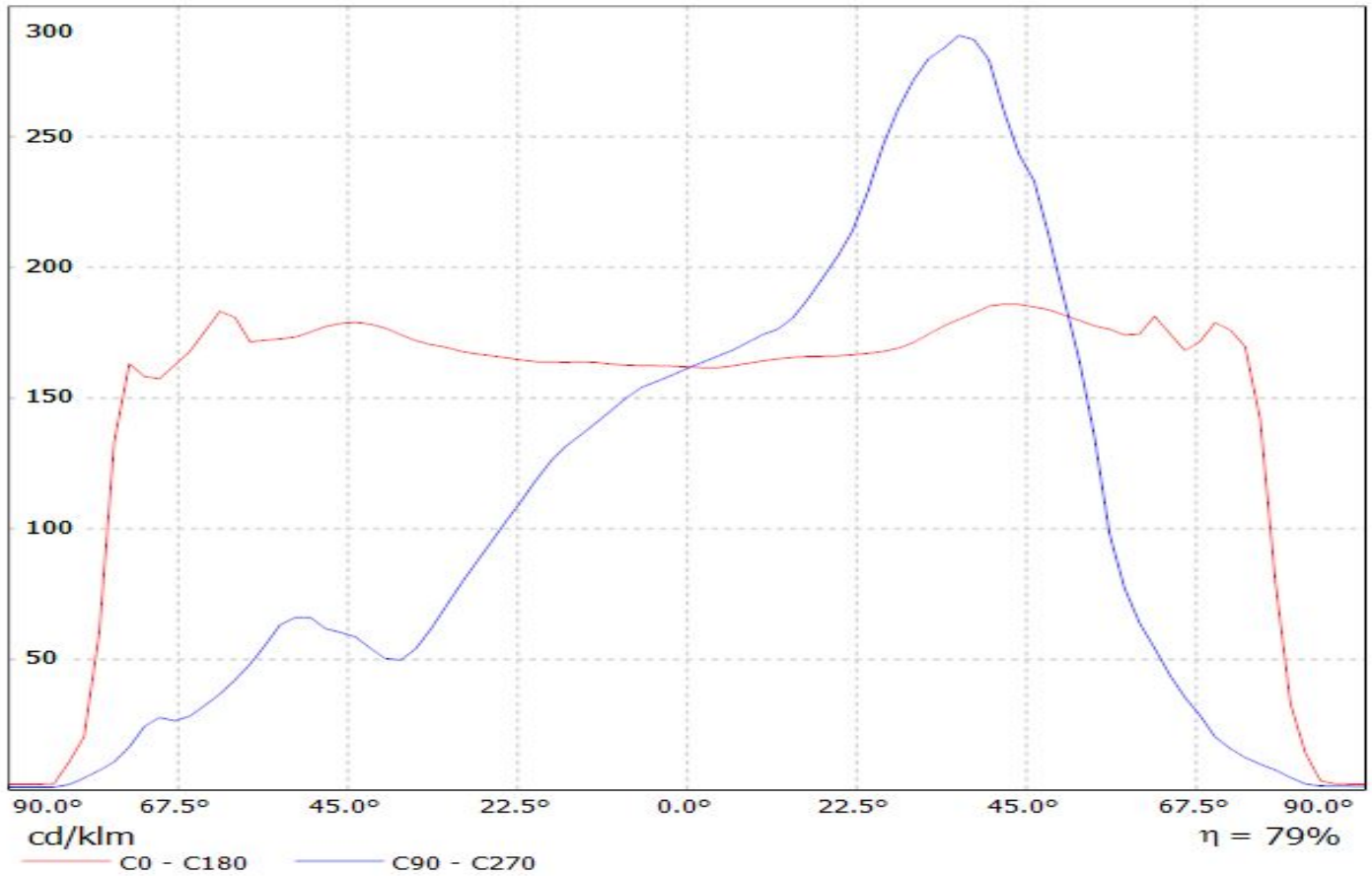
# Ledil C14165\_STRADA-2X2-ME-WIDE2\_(TL1L4)\_glass / LDC (Linear)

Luminaire: Ledil C14165\_STRADA-2X2-ME-WIDE2\_(TL1L4)\_glass

Lamps: 1 x Toshiba\_TL1L4\_2x2\_(TL1L4-DW0)\_444.089lm@250mA\_CCT=6500K\_P=2.9W\_I=0.25A



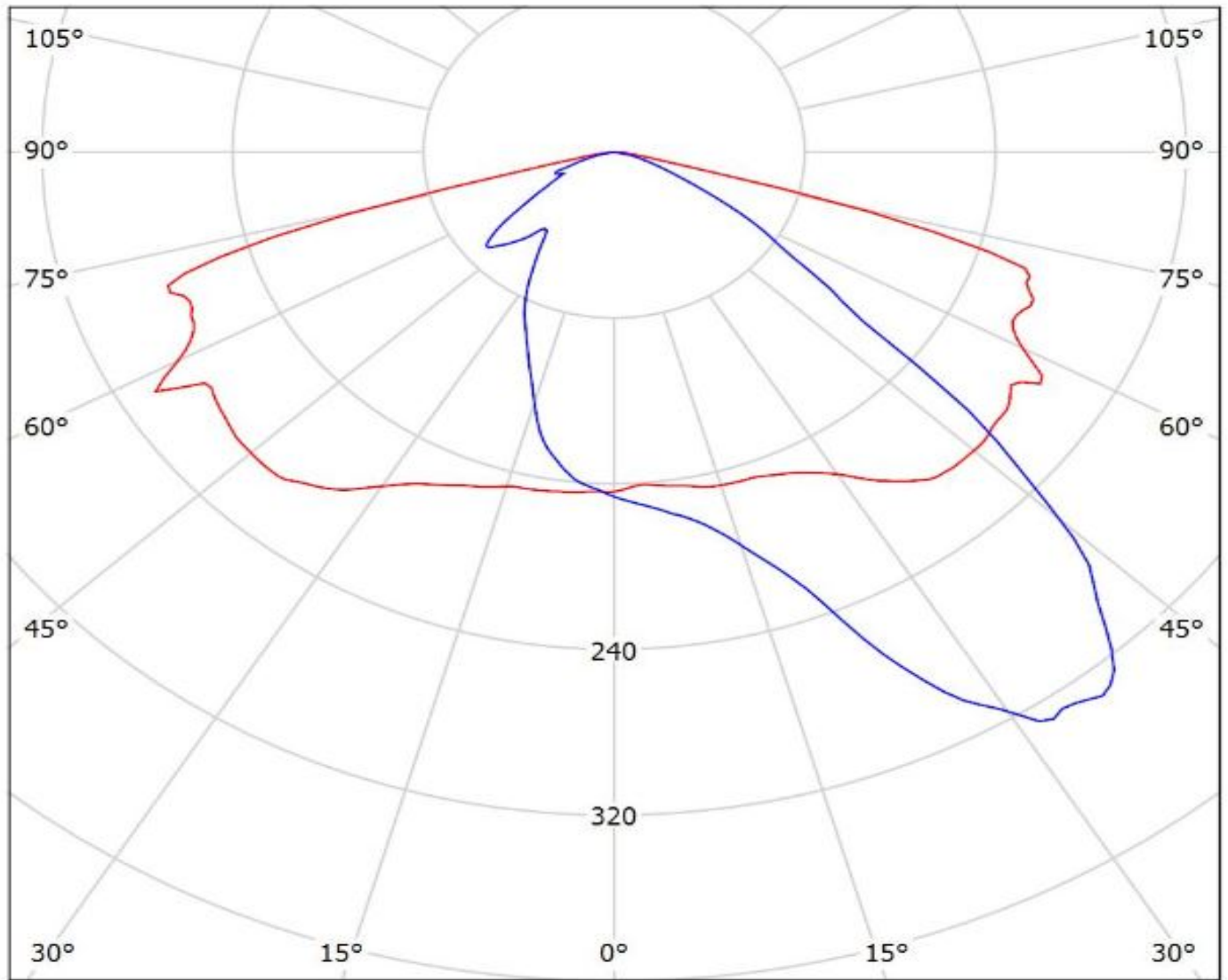
Luminaire: LEDiL Oy C14165\_STRADA-2X2-ME-WIDE2 (XP-G2)  
Lamps: 1 x CREE\_XP-G2\_2x2\_(XPGBWT-L1-000-00G51)  
\_407.74lm@250mA\_CCT=7181K\_P=2.95432W\_I=249.9mA



# Ledil C14165\_STRADA-2X2-ME-WIDE2\_(TL1L4)\_glass / LDC (Polar)

Luminaire: Ledil C14165\_STRADA-2X2-ME-WIDE2\_(TL1L4)\_glass

Lamps: 1 x Toshiba\_TL1L4\_2x2\_(TL1L4-DW0)\_444.089lm@250mA\_CCT=6500K\_P=2.9W\_I=0.25A

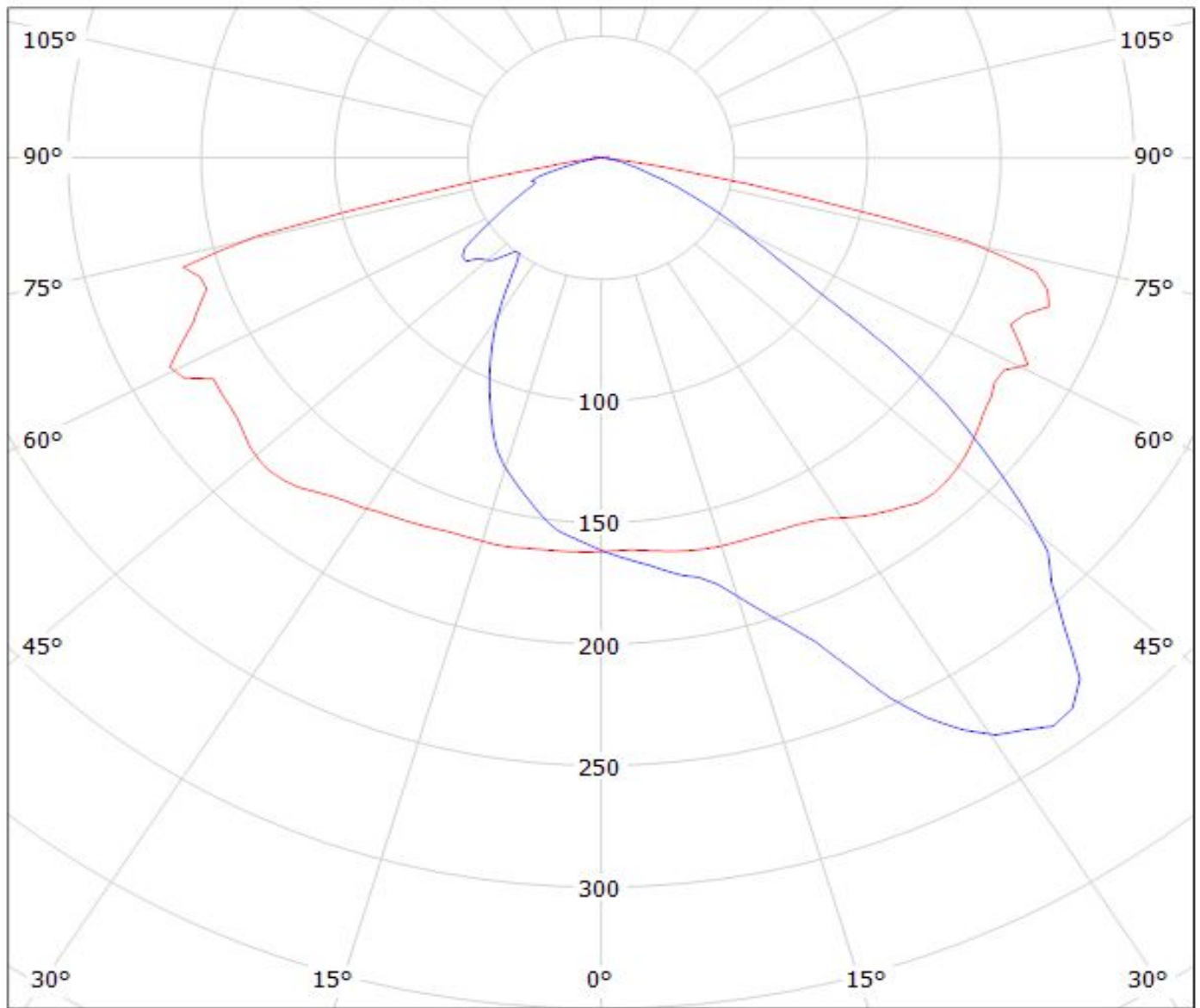


cd/klm

— C0 - C180 — C90 - C270

$\eta = 81\%$

Luminaire: LEDiL Oy C14165\_STRADA-2X2-ME-WIDE2\_(XP-G2)  
Lamps: 1 x CREE\_XP-G2\_2x2\_(XPGBWT-L1-000-00G51)  
\_407.74lm@250mA\_CCT=7181K\_P=2.95432W\_I=249.9mA



cd/klm

— C0 - C180 — C90 - C270

$\eta = 79\%$

**NOTE: The typical divergence will be changed by different color, chip size and chip position tolerance. The typical total divergence is the full angle measured where the luminous intensity is half of the peak value.**