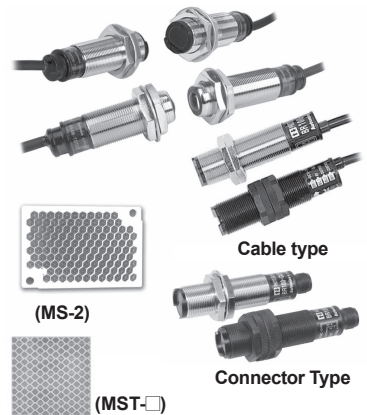


Cylindrical (Ø18mm) Type

■ Features

- Realizes long sensing distance (20m) (through-beam type)
- Superior noise resistance with digital signal processing
- High-speed response time under 1ms
- Power reverse polarity protection circuit, output short over current protection circuit
- Suitable for sensing in narrow space (narrow beam type)
- External sensitivity adjustment (except through-beam type)
- Light ON, Dark ON switchable by control wire (except through-beam type)
- Excellent environment-resistance performance with glass lens(BR4M)
- Protection structure IP66 (IEC standard)

⚠ Please read "Safety Considerations" in operation manual before using.



■ Specifications

※ The model name with '-C' is connector type.
 ※ MST-□ is sold separately.

Model	NPN open collector output		BRP100-DDT		BR100-DDT		BRP400-DDT		BR400-DDT		BRP200-DDTN		BR200-DDTN		BRP3M-MDT		BR3M-MDT		BR4M-TDTD		BR20M-TDTD		BR4M-TDTL		BR20M-TDTL	
	BRP100-DDT-C		BR100-DDT-C		BRP400-DDT-C		BR400-DDT-C		BRP200-DDTN-C		BR200-DDTN-C		BRP3M-MDT-C		BR3M-MDT-C		BR4M-TDTD-C		BR20M-TDTD-C		BR4M-TDTL-C		BR20M-TDTL-C			
	BRP100-DDT-P		BR100-DDT-P		BRP400-DDT-P		BR400-DDT-P		BRP200-DDTN-P		BR200-DDTN-P		BRP3M-MDT-P		BR3M-MDT-P		BR4M-TDTD-P		BR20M-TDTD-P		BR4M-TDTL-P		BR20M-TDTL-P			
	BRP100-DDT-C-P		BR100-DDT-C-P		BRP400-DDT-C-P		BR400-DDT-C-P		BRP200-DDTN-C-P		BR200-DDTN-C-P		BRP3M-MDT-C-P		BR3M-MDT-C-P		BR4M-TDTD-C-P		BR20M-TDTD-C-P		BR4M-TDTL-C-P		BR20M-TDTL-C-P			
Case	Plastic		Metal		Plastic		Metal		Plastic		Metal		Plastic		Metal		Metal									
Sensing type	Diffuse reflective type								Narrow beam reflective type				Retroreflective type				Through-beam type									
Sensing distance	100mm ^{※1}				400mm ^{※2}				200mm ^{※2}				3m ^{※3}				4m		20m		4m		20m			
Sensing target	Opaque, translucent materials								Opaque materials of min. Ø60mm				Opaque materials of min. Ø15mm													
Hysteresis	Max. 20% at rated sensing distance										—															
Response time	Max. 1ms										—															
Power supply	12-24VDC±±10% (ripple P-P: max. 10%)										—															
Current consumption	Max. 45mA										—															
Light source	Infrared LED (940nm)				Infrared LED (850nm)				Red LED (660nm)				Infrared LED (850nm)													
Sensitivity adjustment	Sensitivity adjuster								Fixed				Fixed													
Operation mode	Selectable Light ON or Dark ON by control wire (white)								Dark ON				Light ON													
Control output	NPN or PNP open collector output ●Load voltage: max. 30VDC± ●Load current: max. 200mA ●Residual voltage - NPN: max. 1VDC±, PNP: max. 2.5VDC										—															
Protection circuit	Power reverse polarity protection circuit, output short over current protection circuit										—															
Indicator	Operation indicator: red LED, power indicator: red LED (only for emitter of through-beam type)										—															
Connection	Cable type, connector type										—															
Insulation resistance	Over 20MΩ (at 500VDC megger)										—															
Noise immunity	±240V the square wave noise (pulse width: 1μs) by the noise simulator										—															
Dielectric strength	1000VAC 50/60Hz for 1 minute										—															
Vibration	1.5mm amplitude at frequency of 10 to 55Hz (for 1 min) in each X, Y, Z direction for 2 hours										—															
Shock	500m/s ² (approx. 50G) in each X, Y, Z direction for 3 times										—															
Environment	Ambient illumination										Sunlight: max. 11,000lx, incandescent lamp: max. 3,000lx (receiver illumination)															
	Ambient temperature										-10 to 60°C, storage: -25 to 75°C															
	Ambient humidity										35 to 85%RH, storage: 35 to 85%RH															
Protection structure	IP66 (IEC standard) (BR20M Series: IP67)										—															
Material	●Case - BRP: polyamide (black) BR: brass, ni-plate ●Sensing part - polycarbonate lens										●Case - BRP: polyamide (black) BR: brass, ni-plate ●Sensing part - acrylic lens				●Case - brass, ni-plate ●Sensing part - BR4M: glass lens BR20M: polycarbonate lens											
	Cable	Cable type										Ø5mm, 4-wire, 2m (emitter of through-beam type: Ø5mm, 2-wire, 2m / receiver: Ø5mm, 3-wire, 2m) (AWG22, core diameter: 0.08mm, number of cores: 60, insulator out diameter: Ø1.25mm)														
	Connector type										M12 connector															
Accessory	Individual										Adjustment screwdriver				—											
	Common										BR: fixing nuts, washer ● BRP: fixing nuts				—											
Approval	CE										—															
Weight ^{※4}	●BRP: approx. 140g (approx. 100g) ●BRP-C: approx. 70g (approx. 30g)				●BR: approx. 160g (approx. 120g) ●BR-C: approx. 90g (approx. 50g)				●BR: approx. 340g (approx. 300g) ●BR-C: approx. 150g (approx. 110g)																	

※1: Non-glossy white paper 50×50mm.

※2: Non-glossy white paper 100×100mm.

※3: The sensing distance is specified with using the MS-2 reflector. The distance between the sensor and the reflector should be set over 0.1m. When using reflective tapes, the reflectivity will vary by the size of the tape. Please refer to the catalog or website.

※4: The weight includes packaging. The weight in parenthesis is for unit only.

※Tightening torque for connector is 0.39 to 0.49N·m.

※The temperature or humidity mentioned in Environment indicates a non freezing or condensation.

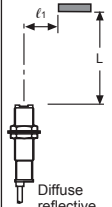
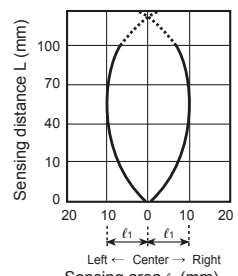
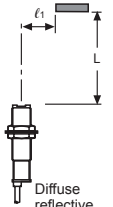
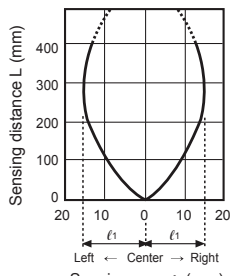
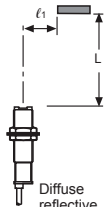
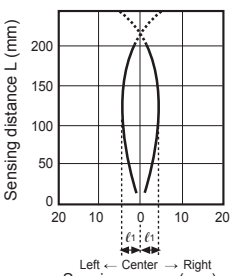
- (A) Photoelectric Sensors
- (B) Fiber Optic Sensors
- (C) Door/Area Sensors
- (D) Proximity Sensors
- (E) Pressure Sensors
- (F) Rotary Encoders
- (G) Connectors/ Connector Cables/ Sensor Distribution Boxes/Sockets
- (H) Temperature Controllers
- (I) SSRs / Power Controllers
- (J) Counters
- (K) Timers
- (L) Panel Meters
- (M) Tacho / Speed / Pulse Meters
- (N) Display Units
- (O) Sensor Controllers
- (P) Switching Mode Power Supplies
- (Q) Stepper Motors & Drivers & Controllers
- (R) Graphic/ Logic Panels
- (S) Field Network Devices
- (T) Software

BR Series

Feature Data

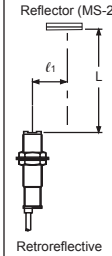
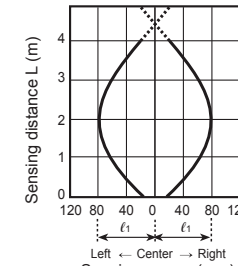
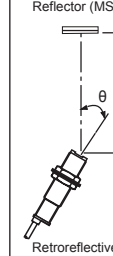
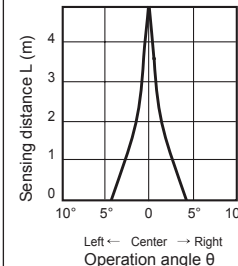
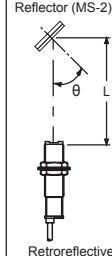
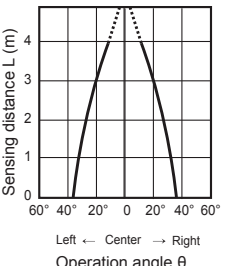
Diffuse reflective type / Narrow beam reflective type

●BR100-DDT-□(-P)/BRP100-DDT-□(-P) ●BR400-DDT-□(-P)/BRP400-DDT-□(-P) ●BR200-DDTN-□(-P)/BRP200-DDTN-□(-P)

Sensing area characteristic		Sensing area characteristic		Sensing area characteristic	
Measuring method	Data	Measuring method	Data	Measuring method	Data
 <p>Standard sensing target: Non-glossy white paper 50×50mm</p> <p>Diffuse reflective</p>	 <p>Sensing distance L (mm)</p> <p>Sensing area l_1 (mm)</p>	 <p>Standard sensing target: Non-glossy white paper 50×50mm</p> <p>Diffuse reflective</p>	 <p>Sensing distance L (mm)</p> <p>Sensing area l_1 (mm)</p>	 <p>Standard sensing target: Non-glossy white paper 50×50mm</p> <p>Diffuse reflective</p>	 <p>Sensing distance L (mm)</p> <p>Sensing area l_1 (mm)</p>

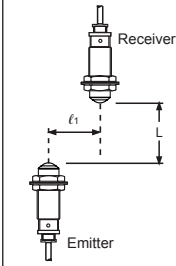
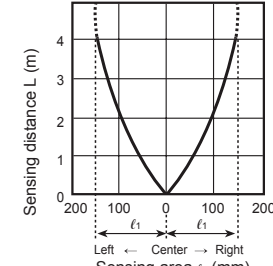
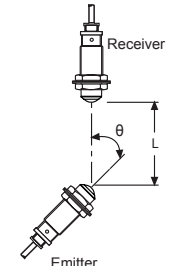
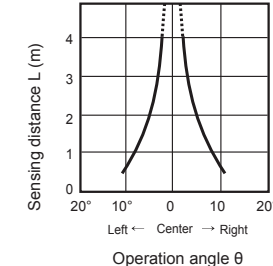
Retroreflective type

●BR3M-MDT-□(-P) / BRP3M-MDT-□(-P)

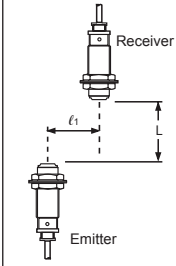
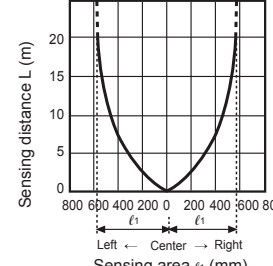
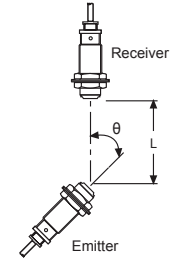
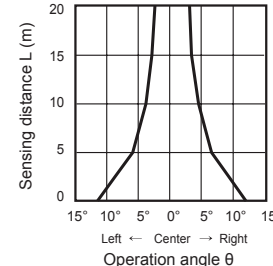
Parallel shifting characteristic		Parallel shifting characteristic		Parallel shifting characteristic	
Measuring method	Data	Measuring method	Data	Measuring method	Data
 <p>Reflector (MS-2)</p> <p>Retroreflective</p>	 <p>Sensing distance L (m)</p> <p>Sensing area l_1 (mm)</p>	 <p>Reflector (MS-2)</p> <p>Retroreflective</p>	 <p>Sensing distance L (m)</p> <p>Operation angle θ</p>	 <p>Reflector (MS-2)</p> <p>Retroreflective</p>	 <p>Sensing distance L (m)</p> <p>Operation angle θ</p>

Through-beam type

●BR4M-TDT□-□ / BR4M-TDT□-□-P

Parallel shifting characteristic		Angle characteristic	
Measuring method	Data	Measuring method	Data
 <p>Receiver</p> <p>Emitter</p>	 <p>Sensing distance L (m)</p> <p>Sensing area l_1 (mm)</p>	 <p>Receiver</p> <p>Emitter</p>	 <p>Sensing distance L (m)</p> <p>Operation angle θ</p>

●BR20M-TDT□-□ / BR20M-TDT□-□-P

Parallel shifting characteristic		Angle characteristic	
Measuring method	Data	Measuring method	Data
 <p>Receiver</p> <p>Emitter</p>	 <p>Sensing distance L (m)</p> <p>Sensing area l_1 (mm)</p>	 <p>Receiver</p> <p>Emitter</p>	 <p>Sensing distance L (m)</p> <p>Operation angle θ</p>

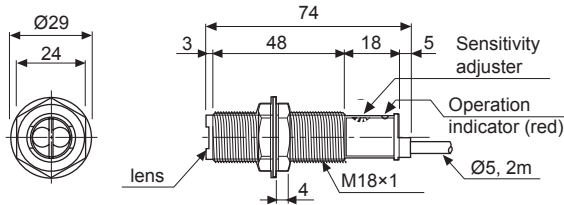
Cylindrical Type

■ Dimensions

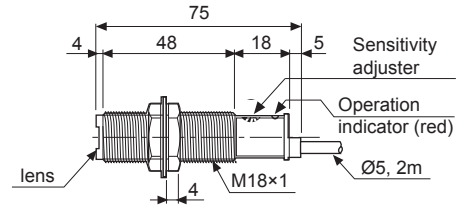
(unit: mm)

○ Diffuse reflective/Narrow beam reflective/Retroreflective type

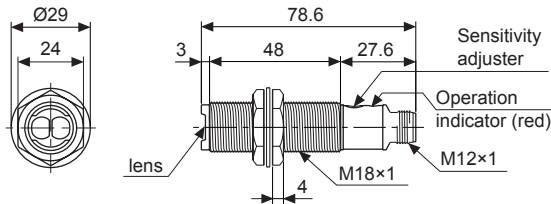
- BR100-DDT(-P) • BR200-DDTN(-P)
- BR400-DDT(-P)



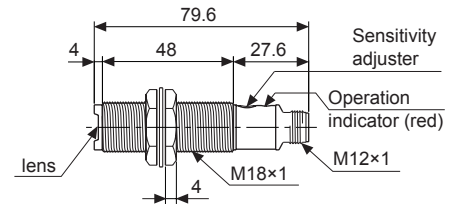
- BR3M-MDT(-P)



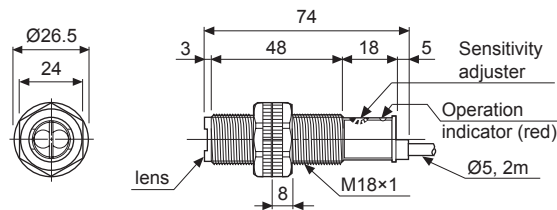
- BR100-DDT-C(-P) • BR200-DDTN-C(-P)
- BR400-DDT-C(-P)



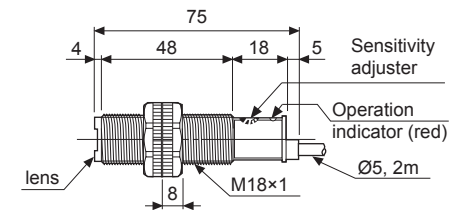
- BR3M-MDT-C(-P)



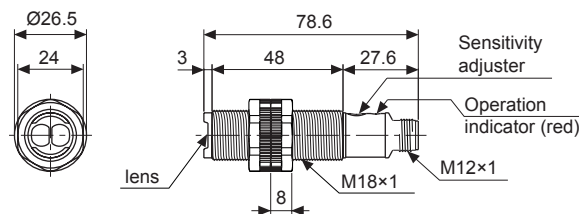
- BRP100-DDT(-P) • BRP200-DDTN(-P)
- BRP400-DDT(-P)



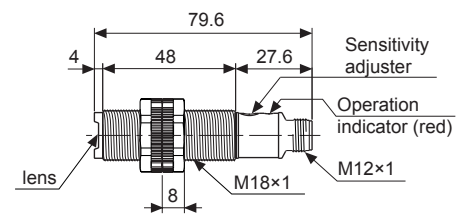
- BRP3M-MDT(-P)



- BRP100-DDT-C(-P) • BRP200-DDTN-C(-P)
- BRP400-DDT-C(-P)



- BRP3M-MDT-C(-P)



(A) Photoelectric Sensors

(B) Fiber Optic Sensors

(C) Door/Area Sensors

(D) Proximity Sensors

(E) Pressure Sensors

(F) Rotary Encoders

(G) Connectors/ Connector Cables/ Sensor Distribution Boxes/Sockets

(H) Temperature Controllers

(I) SSRs / Power Controllers

(J) Counters

(K) Timers

(L) Panel Meters

(M) Tacho / Speed / Pulse Meters

(N) Display Units

(O) Sensor Controllers

(P) Switching Mode Power Supplies

(Q) Stepper Motors & Drivers & Controllers

(R) Graphic/ Logic Panels

(S) Field Network Devices

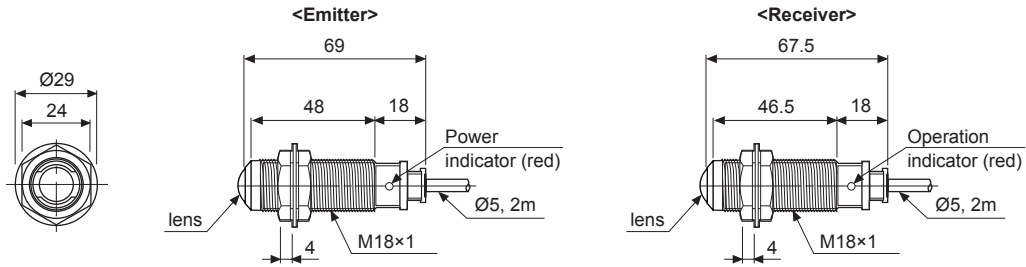
(T) Software

BR Series

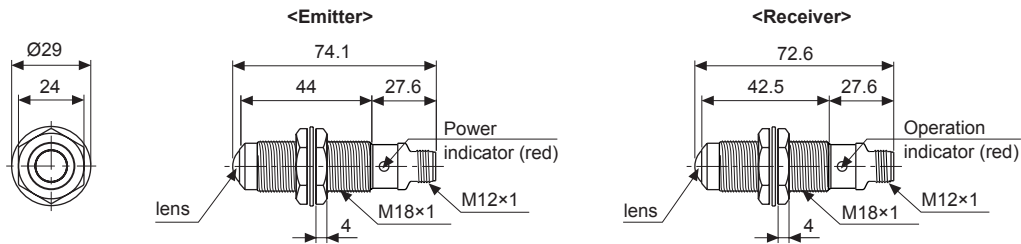
○ Through-beam type

(unit: mm)

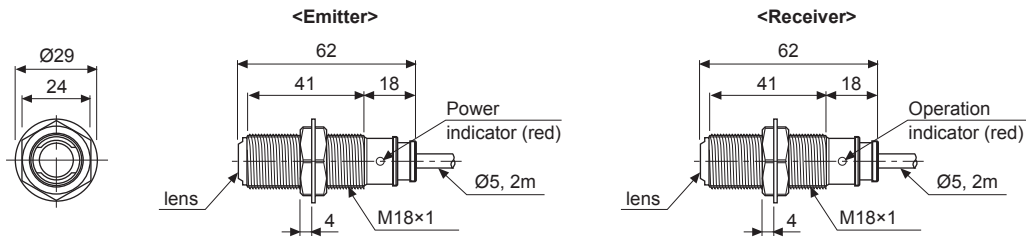
● BR4M-TDTD(-P) / BR4M-TDTL(-P)



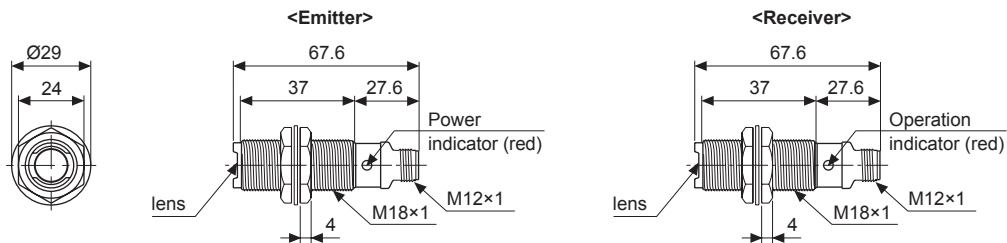
● BR4M-TDTD-C(-P) / BR4M-TDTL-C(-P)



● BR20M-TDTD(-P) / BR20M-TDTL(-P)

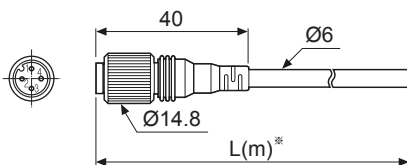


● BR20M-TDTD-C(-P) / BR20M-TDTL-C(-P)

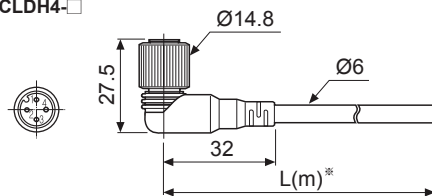


● Connection cable (sold separately)

• CIDH4-□



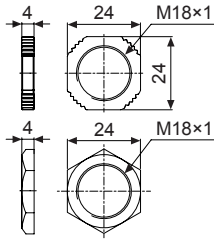
• CLDH4-□



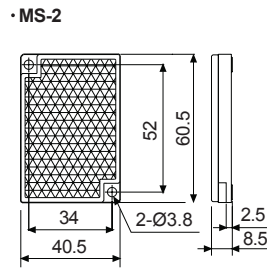
※ Specification of connector cable: Ø6mm, 4-wire, 2m/3m/5m/7m
 (AWG22, core diameter: 0.08mm, number of cores: 60, insulator out diameter: Ø1.65mm)

Cylindrical Type

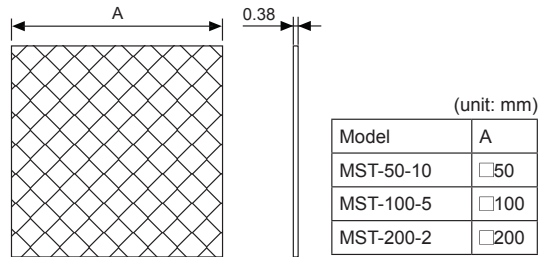
• M18 fixing nut



• Reflector



• Reflective tape (sold separately)



■ Operation Mode

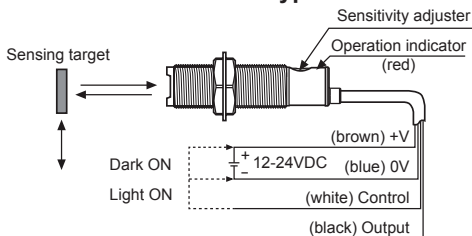
Operation mode	Light ON	Dark ON
Receiver operation	Received light Interrupted light	Received light Interrupted light
Operation indicator (red LED)	ON OFF	ON OFF
Transistor output	ON OFF	ON OFF

※The transistor output will be held OFF for 0.5 sec after supplied power in order to prevent malfunction of this photoelectric sensor (except through-beam type).

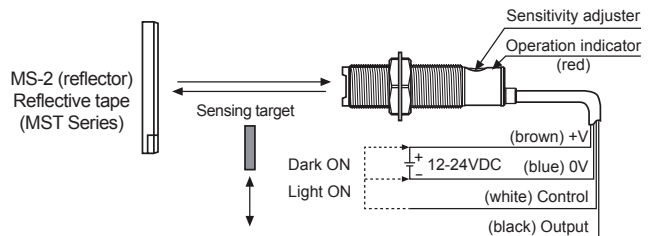
※If the control output terminal is short-circuited or flows beyond the rated current, the control signal will not be output normally due to protection circuit.

■ Connections

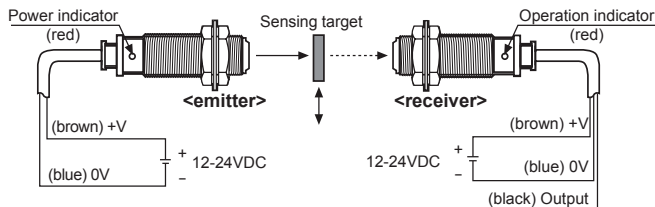
• Diffuse reflective type / Narrow beam reflective type



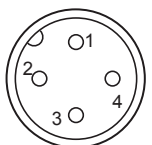
• Retroreflective type



• Through-beam type



■ Connections for Connector Part



M12 Connector pin

Pin No.	Cable color	Application Diffuse/ Narrow beam reflective/ Retroreflective type	Through-beam type	
			Emitter	Receiver
1	Brown	24VDC	24VDC	24VDC
2	White	CONTROL	N-C	GND
3	Blue	GND	GND	GND
4	Black	OUTPUT	N-C	OUTPUT

• Connector cable (sold separately)

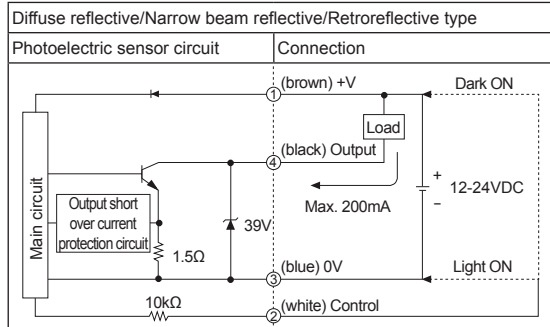
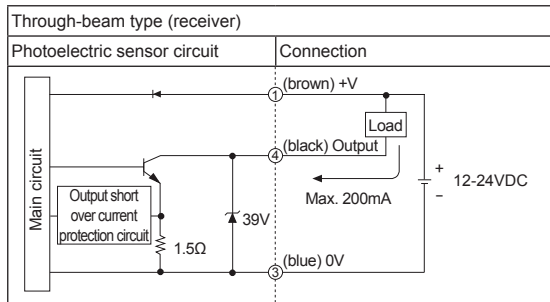
※Please refer to the G-6 for connector cable.

- (A) Photoelectric Sensors
- (B) Fiber Optic Sensors
- (C) Door/Area Sensors
- (D) Proximity Sensors
- (E) Pressure Sensors
- (F) Rotary Encoders
- (G) Connectors/ Connector Cables/ Sensor Distribution Boxes/Sockets
- (H) Temperature Controllers
- (I) SSRs / Power Controllers
- (J) Counters
- (K) Timers
- (L) Panel Meters
- (M) Tacho / Speed / Pulse Meters
- (N) Display Units
- (O) Sensor Controllers
- (P) Switching Mode Power Supplies
- (Q) Stepper Motors & Drivers & Controllers
- (R) Graphic/ Logic Panels
- (S) Field Network Devices
- (T) Software

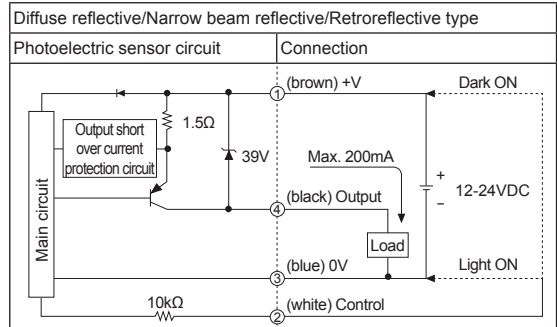
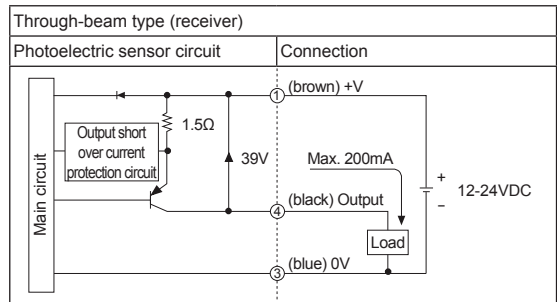
BR Series

■ Control Output Diagram

● NPN open collector output



● PNP open collector output



※Before using this unit, select Light ON/Dark ON with control wire. (light on: connect control wire 0V / dark on: connect control wire with +V)

※Control wire is only for Diffuse reflective/Narrow beam reflective/Retroreflective type.

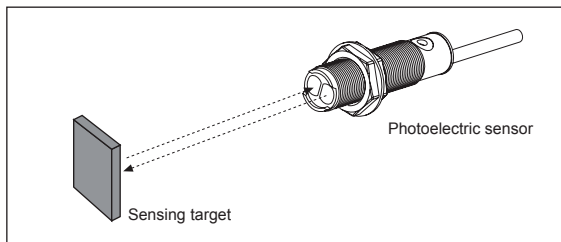
■ Installation and Sensitivity Adjustment

Install the sensor to the desired place and check the connections. Supply the power to the sensor and adjust the optical axis and the sensitivity as following.

For installing the unit, use M18 fixing nuts (accessories) with below 14.7N·m force for BR Series and 0.39N·m force for BRP Series.

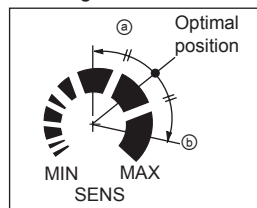
◎ Diffuse reflective/Narrow beam reflective type

1. The sensitivity should be adjusted depending on a sensing target or mounting place.



2. Set the target at a position to be detected by the beam, then turn the sensitivity adjuster until position ㊸ where the operation indicator turns ON from min. position of the sensitivity adjuster.
3. Take the target out of the sensing area, then turn the sensitivity adjuster until position ㊹ where the operation indicator turns ON. If the indicator dose not turn ON, max. position is ㊹.
4. Set the sensitivity adjuster at the center of two switching position ㊸, ㊹.

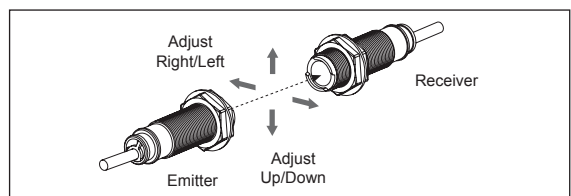
※Be sure that it can be different by size, surface and gloss of target.



◎ Through-beam type

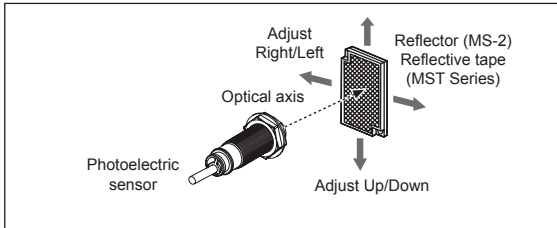
1. Supply the power to the photoelectric sensor, after setting the emitter and the receiver facing each other.
2. Set the receiver in center of position in the middle of the operation range of indicator by adjusting the receiver or the emitter right and left, up and down.
3. After the adjustment, check the stability of operation putting the object at the optical axis.

※If the sensing target is translucent body or smaller than $\varnothing 15\text{mm}$, it can be missed by sensor cause light penetrate it.

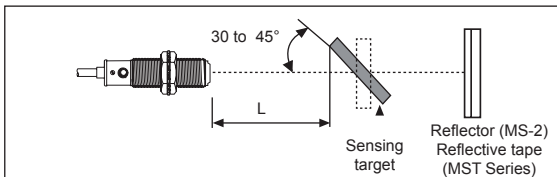


◎ Retroreflective type

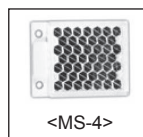
1. Supply the power to the photoelectric sensor, after setting the photoelectric sensor and the reflector (MS-2) or reflective tape face to face.
2. Set the photoelectric sensor in the position which indicator turns on, as adjusting the reflector or the sensor right and left, up and down.
3. Fix both units tightly after checking that the unit detects the target.



- ※If using more than 2 photoelectric sensors in parallel, the space among them should be more than 30cm.
- ※If reflectance of target is higher than non-glossy white paper, it might cause malfunction by reflection from the target when the target is near to photoelectric sensor. Therefore put enough space between the target and the photoelectric sensor or the surface of the target should be installed at angle of 30 to 45° against optical axis. (when a sensing target with high reflectance near by, photoelectric sensing with the polarizing filter should be used.)
- ※Sensitivity adjustment: Refer to the diffuse reflective/narrow beam reflective type's.



- ※If the mounting place is too narrow, please use MS-4 instead of MS-2.
- ※Please use reflective tape (MST Series) for where a reflector is not installed.



■ Reflectivity by Reflective Tape Model

MST-50-10 (50×50mm)	80%
MST-100-5 (100×100mm)	120%
MST-200-2 (200×200mm)	140%

- ※This reflectivity is based on the reflector (MS-2).
- ※Reflectivity may vary depending on usage environment and installation conditions.
The sensing distance and minimum sensing target size increase as the size of the tape increases.
Please check the reflectivity before using reflective tapes.
- ※For using reflective tape, installation distance should be min. 20mm.

(A) Photoelectric Sensors

(B) Fiber Optic Sensors

(C) Door/Area Sensors

(D) Proximity Sensors

(E) Pressure Sensors

(F) Rotary Encoders

(G) Connectors/ Connector Cables/ Sensor Distribution Boxes/Sockets

(H) Temperature Controllers

(I) SSRs / Power Controllers

(J) Counters

(K) Timers

(L) Panel Meters

(M) Tacho / Speed / Pulse Meters

(N) Display Units

(O) Sensor Controllers

(P) Switching Mode Power Supplies

(Q) Stepper Motors & Drivers & Controllers

(R) Graphic/ Logic Panels

(S) Field Network Devices

(T) Software