



Art No. BP0001/BP0002/BP0003

## Projector Mount

Made of die-cast aluminum alloy construction, the Logilink projector mount holds the projector up to 15kg with screw connections that are with a range from 18cm to 31cm in diameter. The cable-mounting channel keeps things neat. The mount tilts and rolls can adjust up to 25° and swivels up to 360°. It works for flat ceilings, and comes with all the hardware needed for easy installation.

### Features:

- Fits the projector up to 15kg
- Sturdy and simple design
- Die-cast aluminum construction
- Easy installation
- Works with flat ceilings
- 25° tilt and roll
- 360° swivel rotation
- Comes with the mounting hardware
- Max Equipment Size: Projectors with a range from 18cm to 31cm in diameter
- Cable-mounting channel
- Adjustable metal arms

### Specification:

Rotation (degrees)	360°
Tilt/Pitch Adjustment (degrees)	+25° to -25°
Extends (cm)	22cm
Weight Capacity (kg)	15kg
Length (cm)	31cm
Width (cm)	31cm
Height (cm)	22cm

Item	EAN Code
BP0001 Silver	4052792030440
BP0002 Black	4052792030457
BP0003 White	4052792030464





Art No. BP0001/BP0002/BP0003

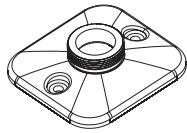
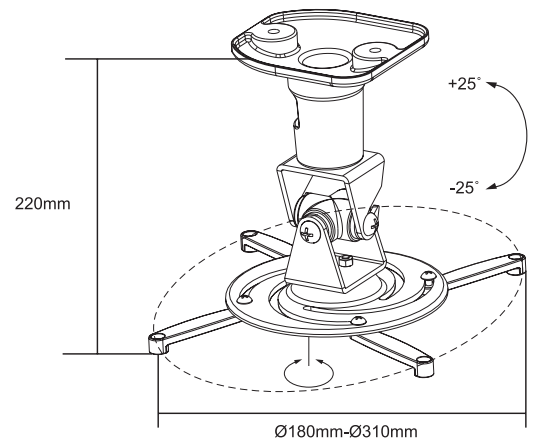
## Projector Mount

### Package Contents:

- 1 x Projector Mount
- 1 x Screw Pack
- 1 x User Manual

### Packaging Information:

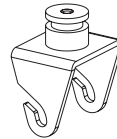
- Packing Dimension: 285 x 200 x 90mm
- Packing Weight: 1.75kg
- Carton Dimension: 590 x 420 x 295mm
- Carton Q'ty: 12pcs
- Carton Weight: 22.5kg



ceiling plate (x1)  
A



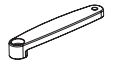
projector coupler (x1)  
B



projector pothook (x1)  
C



projector plate (x1)  
D



mounting leg (x4)  
E



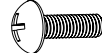
M4x16 (x4)  
M-A



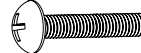
M4x40 (x4)  
M-B



M5x16 (x4)  
M-C



M6x16 (x4)  
M-D



M6x40 (x4)  
M-E



M8x16 (x1)  
M-F



D5 washer (x4)  
M-G



3mm Allen key (x1)  
M-H



6mm Allen key (x1)  
M-I



ST4.8x45 (x2)  
W-A



concrete anchor (x2)  
W-B



D6 washer (x2)  
W-C