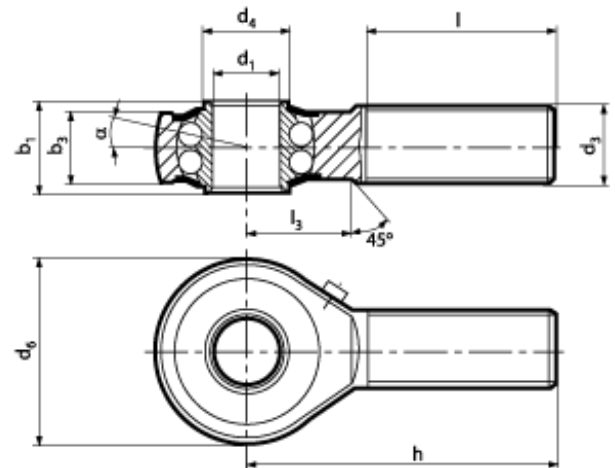




ISO 12240-4K

Durbal

BRM



BN 230

Rod ends

with integral self-aligning roller bearing

left hand thread

Steel

zinc plated blue



Article#	d ₁ H7	d ₃	d ₄	d ₆	b ₁	b ₃	h	l	l ₃	α	Rotational speed n max.	Dynamic bearing capacity	Static bearing capacity
1081721	6	M6	9	20	9	6,75	36	22	12	8°	1350	2800 N	700 N
1081748	8	M8	10,5	24	12	9	42	25	15	8,5°	1300	4000 N	1000 N
1081756	10	M10	12	28	14	10,5	48	29	15	8°	1225	4500 N	1500 N
1081764	12	M12	14,5	32	16	12	54	33	19	7,5°	1125	5000 N	1800 N
1081772	14	M14	17	36	19	13,5	60	36	20	6°	1025	5600 N	2000 N
1081780	16	M16	19	42	21	15	66	40	22	8°	975	6300 N	2400 N
1081799	18	M18x1,5	21,5	46	23	16,5	72	44	25	8,5°	900	7100 N	2900 N
1081802	20	M20x1,5	24,5	50	25	18	78	47	28	7°	825	7900 N	3500 N
1081829	25	M24x2	29,5	64	31	22	94	57	30	5°	600	11000 N	5700 N
1081837	30	M30x2	34,5	70	37	25	110	66	35	7,5°	450	14200 N	7500 N