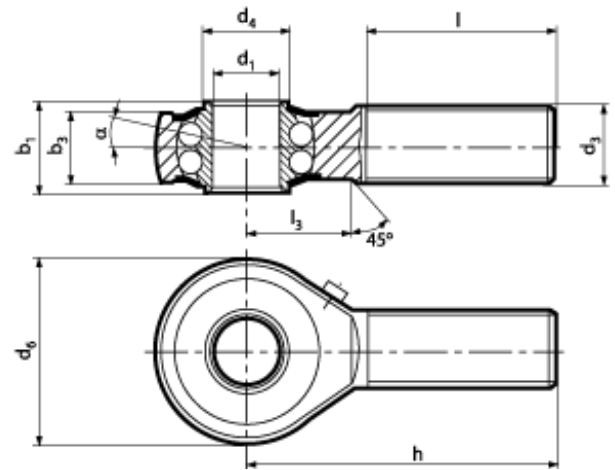




ISO 12240-4K

Durbal

BRM



**BN 205**

**Rod ends**

with integral self-aligning roller bearing

right hand thread

Steel

zinc plated blue



Article#	d <sub>1</sub> H7	d <sub>3</sub>	d <sub>4</sub>	d <sub>6</sub>	b <sub>1</sub>	b <sub>3</sub>	h	l	l <sub>3</sub>	α	Rotational speed n max.	Dynamic bearing capacity	Static bearing capacity
1070517	6	M6	9	20	9	6,75	36	22	12	8°	1350	2800 N	700 N
1070525	8	M8	10,5	24	12	9	42	25	15	8,5°	1300	4000 N	1000 N
1070533	10	M10	12	28	14	10,5	48	29	15	8°	1225	4500 N	1500 N
1070541	12	M12	14,5	32	16	12	54	33	19	7,5°	1125	5000 N	1800 N
1070614	14	M14	17	36	19	13,5	60	36	20	6°	1025	5600 N	2000 N
1070622	16	M16	19	42	21	15	66	40	22	8°	975	6300 N	2400 N
1070630	18	M18x1,5	21,5	46	23	16,5	72	44	25	8,5°	900	7100 N	2900 N
1070649	20	M20x1,5	24,5	50	25	18	78	47	28	7°	825	7900 N	3500 N
1075977	25	M24x2	29,5	64	31	22	94	57	30	5°	600	11000 N	5700 N
1081713	30	M30x2	34,5	70	37	25	110	66	35	7,5°	450	14200 N	7500 N