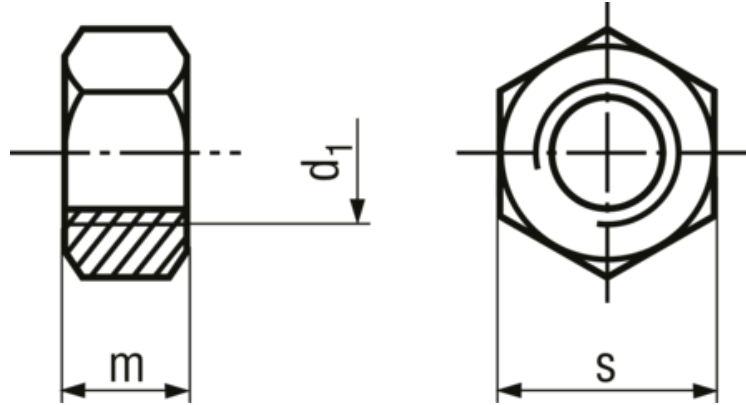


Hex nuts ~0,8d

BN 81



Material	Polyamide
Material execution	PA 6.6
Color	natural
Standard	~DIN 555 (Standard withdrawn), ~DIN 34814, ~UNI 5592, ~ČSN 021601

Article no	d1	s	m~
1400401	M3	5.5	2.4
1400428	M4	7	3.2
1400436	M5	8	4
1400444	M6	10	5
1400452	M8	13	6.5
1400460	M10	17	8
1400479	M12	19	10
1400487	M16	24	14.8
1400495	M20	30	18