

BN80-RZ



- Long life
- Flat design
- 1 Reed kontakts
- 44 mm x 13 mm x 9 mm
- Non-contact principle
- Thermoplastic enclosure
- Actuating surface marked by protrusion
- Actuating distance up to 60 mm depending on actuating magnet and version

Data

Ordering data

Product type description	BN 80-RZ
Article number (order number)	101139647
EAN (European Article Number)	4030661282176
eCl@ss number, Version 9.0	27-27-01-05

General data

Product name	BN 80
Active principle	Magnetic drive
Housing construction form	Block
Enclosure material	Glass-fibre, reinforced thermoplastic
Active area	Plastic
Gross weight	26.000 g

General data - Features

Latching	Yes
Number of snap-in contacts	1

Mechanical data

Actuating panels	lateral
Active area	lateral
Actuating element	Magnet
Mechanical life, minimum	1,000,000,000 Operations

	BP 10 = 2 ... 9 mm
	2 x BP 10 = 2 ... 13 mm
	0 mm ... 60 mm
	BP 6S = 4 ... 18 mm
	BP 7S = 6 ... 22 mm
	BP 10S = 10 ... 30 mm
	2 x BP 10S = 12 ... 36 mm
Switch distance S_n	BP 15S = 12 ... 30 mm
	2 x BP 15S = 13 ... 38 mm
	BP 34S = 20 ... 50 mm
	2 x BP 34S = 22 ... 60 mm
	BP 20S = 10 ... 38 mm
	BP 31S = 12 ... 40 mm
	BP 11S = 10 ... 30 mm
	BP 12S = 10 ... 34 mm
Notice (Switch distance S_n)	Actuating distance up to 60 mm depending on version and actuating magnet
Repeat accuracy R R	0.25 mm

Mechanical data - Connection technique

Terminal Connector	Cable
Length of cable	1 m
Wire cross-section	0.25 mm ²
Wire cross-section	23 AWG
Material of the Cable mantle	PVC

Mechanical data - Dimensions

Height of sensor	13 mm
Length of sensor	9 mm
Width of sensor	44 mm

Ambient conditions

Protection class	IP67
Ambient temperature, minimum	-25 °C
Ambient temperature, maximum	+75 °C
Resistance to shock	15 g, on sine wave oscillation
Resistant to vibration	15 g, on sine wave oscillation

Electrical data

Voltage type	AC (alternating current) DC (direct current)
Switching voltage, maximum	250 VAC
Switching voltage, maximum	250 VDC
Switching current, maximum	0.5 A
Switching capacity, maximum	8 W

Switching capacity, maximum	10 VA
Switching element	bistable contact
Bounce duration, maximum	0.5 ms

Electrical data - Digital Output

Versions	Reed contacts
----------	---------------

Scope of delivery

Included in delivery	Actuators must be ordered separately.
----------------------	---------------------------------------

Accessory

Recommendation (actuator)	BP 10
	BP 10 S
	BP 15 S
	BP 34 S
	BP 20 S
	BP 31 S
	BP 11 S
	BP 12 S
	BP 6 S
	BP 7 S
	2x BP 15 S
	2x BP 34 S

Notes

Note (General)	The opening and closing functions depend on the direction of actuation, the actuating magnets and the polarity of the actuating magnets.
----------------	--

Documents

Info

(41,6 kB, 10.12.2019)

Brochure

(1,0 MB, 10.05.2019, Revision 01)

Pictures

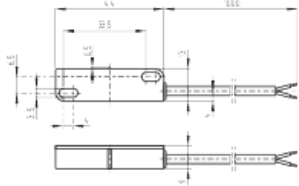
Product picture (catalogue individual photo)

ID: kbn80f01



| 102,7 kB | .jpg | 352.778 x 67.733 mm - 1000 x 192 Pixel - 72 dpi
| 8,3 kB | .png | 74.083 x 14.111 mm - 210 x 40 Pixel - 72 dpi

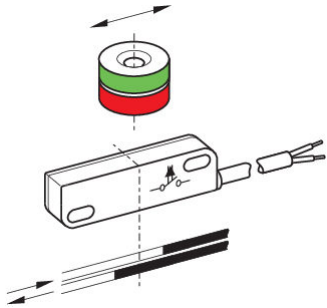
Dimensional drawing basic component



ID: 1bn80g01

| 3,4 kB | .png | 74.083 x 51.153 mm - 210 x 145 Pixel - 72 dpi
| 64,5 kB | .cdr |
| 78,0 kB | .jpg | 352.778 x 244.475 mm - 1000 x 693 Pixel - 72 dpi

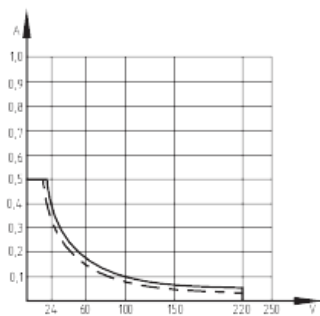
Diagram



ID: kbn80k02

| 40,2 kB | .cdr |

Characteristic curve



ID: kbn80d01

| 113,9 kB | .jpg | 352.778 x 340.783 mm - 1000 x 966 Pixel - 72 dpi
| 2,7 kB | .png | 74.083 x 71.614 mm - 210 x 203 Pixel - 72 dpi
| 35,8 kB | .cdr |

System components

Actuator



BP 12

- -metal housing
- S-pole marked red
- N-pole marked green
- Suitable for mounting on ferrous material



101057533 BP11S

- -metal housing
- S-pole marked red
- Suitable for mounting on ferrous material



BP 11

- -metal housing
- S-pole marked red
- N-pole marked green
- Suitable for mounting on ferrous material



101057521 BP31S

- thermoplastic enclosure
- S-pole marked red
- Suitable for mounting on ferrous material with a distance of 20 mm



101057530 BP31 (N/S)

- thermoplastic enclosure
- S-pole marked red
- N-pole marked green
- Suitable for mounting on ferrous material with a distance of 20 mm



101057541 BP20S

- -metal housing
 - S-pole marked red
 - Suitable for mounting on ferrous material with a distance of 20 mm
-



101057549 BP20

- -metal housing
 - S-pole marked red
 - N-pole marked green
 - Suitable for mounting on ferrous material with a distance of 20 mm
-



101057553 BP34

- thermoplastic enclosure
 - S-pole marked red
 - N-pole marked green
 - Suitable for mounting on ferrous material with a distance of 25 mm
-



101060163 BP15

- thermoplastic enclosure
 - N-pole marked green
 - S-pole marked red
 - Suitable for mounting on ferrous material with a distance of 18 mm
-



101057531 BP10

- Unenclosed
 - Colour coding of poles by labels
-



101054816 BP8

- Unenclosed
 - S-pole marked red
-



101125556 BP7

- Unenclosed
 - S-pole marked red
-



101091837 BP6

- Unenclosed
- S-pole marked red

K.A. Schmersal GmbH & Co. KG, Möddinghofe 3, D-42279 Wuppertal

The details and data referred to have been carefully checked. Images may diverge from original. Further technical data can be found in the manual. Technical amendments and errors possible.

Generated on 17.09.2020 15:36:38