



Data sheet Product BLP 2 26

PCB connectors>Female headers

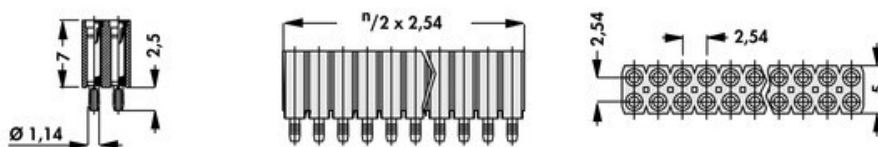
High-precision female headers □ 0,635 mm and pins up to 0,85 mm Ø; Press-fit mounting without soldering, resilient press-fit area.

Features

grid:	2.54 mm
no. of contacts:	26
contact material:	CuZn-alloy
contact sleeve:	tin-plated
surface contact / contact sleeve:	Ni+4...6µm Sn
contact spring:	gold-plated
inner contact spring material:	CuBe-alloy
inner contact spring surface:	Ni+0,75µm Au
type internal spring:	6-fingers
plugability for circuit points:	<ul style="list-style-type: none"> • □0,55...0,65mm • Ø0,65...0,85mm
insert depth:	2.5...6mm
insertion / drawing force:	1.3N/0.3N
shock resistance:	50 g
volume resistance:	≤10 mΩ
vibration resistance max.:	15 g
capacity between two adjacent contacts:	≤ 0,3 pF
nominal current:	2 A
nominal voltage:	150 V DC
test voltage:	1000 V
insulating body material:	PA 4.6. GF
temperature range:	<ul style="list-style-type: none"> • -40°C... +163°C • (260°C/10 s)
class of inflammability:	UL 94 V-0
version:	female header

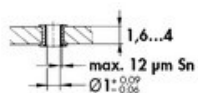
specific insulation resistance:	$>10^7 \Omega \cdot m$
connection type:	insertion
reflow solderable:	yes

Technical Drawing

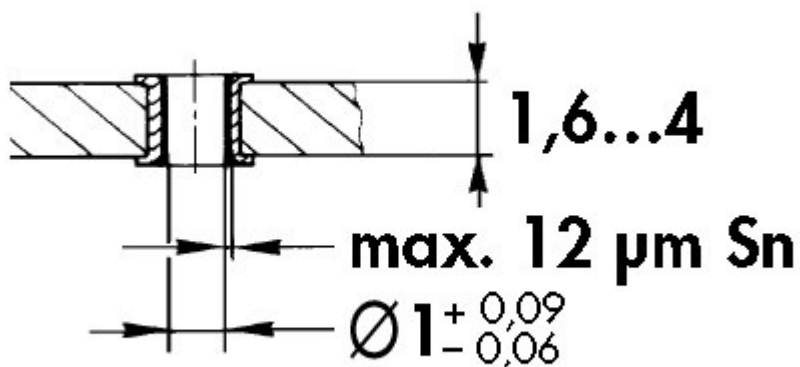


Further Information

Hole diameter in PCB - hole structure acc. to DIN EN 60352-5



PCB layout - hole structure acc. to DIN EN 60352-5



Fischer Elektronik GmbH & Co. KG
DEUTSCHLAND • GERMANY • ALLEMAGNE

Nottebohmstraße 28
58511 Lüdenscheid

Telefon +49 2351 435-0
Telefax +49 2351 45754

info@fischerelektronik.de
www.fischerelektronik.de