

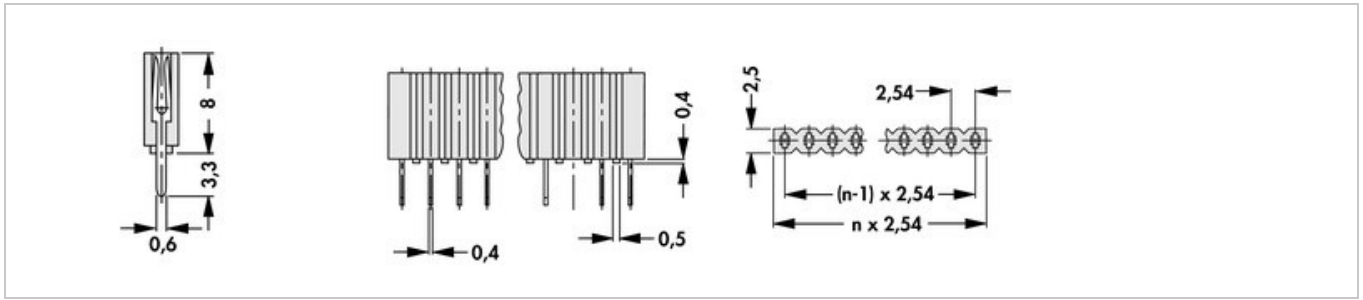
Data sheet Product BL 1

PCB connectors>Female headers
 Stamped contact spring (fork contact), for \square 0.635 mm
separable! any requested number of contact can be delivered

Features

grid:	2.54 mm
no. of contacts:	1 - 36
contact material:	CuSn alloy
surface of contact:	<ul style="list-style-type: none"> • gold-plated • tin-plated
surface contact / contact sleeve:	<ul style="list-style-type: none"> • Ni+\geq0.2μm Au • Ni+4...6μm Sn
type internal spring:	fork contact
plugability for circuit points:	\square 0,5...0,7mm
insert depth:	1.5...5mm
insertion / drawing force:	1.5 N/1.3 N
volume resistance:	\leq10 mΩ
capacity between two adjacent contacts:	\leq 0,9 pF
nominal current:	3 A
nominal voltage:	125 V AC
test voltage:	1500 V
insulating body material:	PPS
temperature range:	<ul style="list-style-type: none"> • -40°C... +200°C • (260°C/10 s)
class of inflammability:	UL 94 V-0
version:	stamped contact spring (fork contact)
specific insulation resistance:	$>10^{12}$ $\Omega \cdot m$
connection type:	THT (soldering)
reflow solderable:	yes

Technical Drawing



Fischer Elektronik GmbH & Co. KG
DEUTSCHLAND • GERMANY • ALLEMAGNE

Nottebohmstraße 28
58511 Lüdenscheid

Telefon +49 2351 435-0
Telefax +49 2351 45754

info@fischerelektronik.de
www.fischerelektronik.de