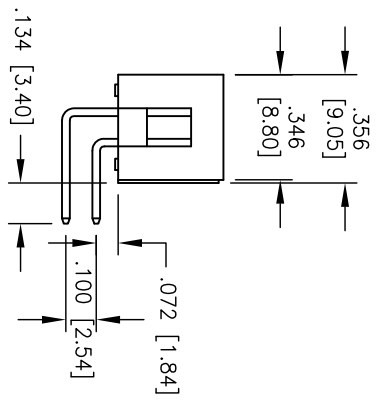
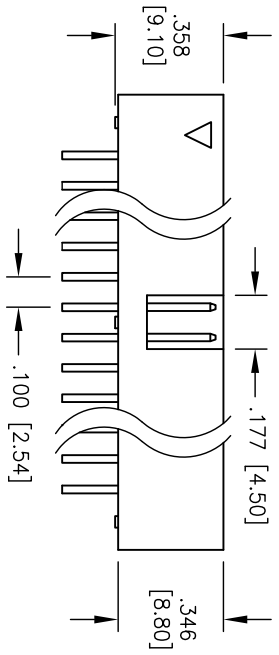
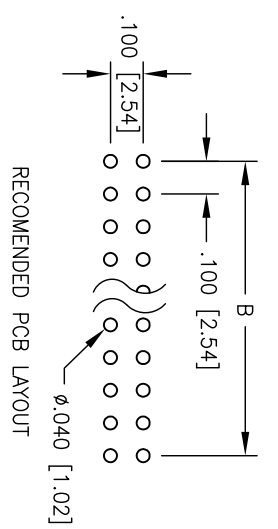
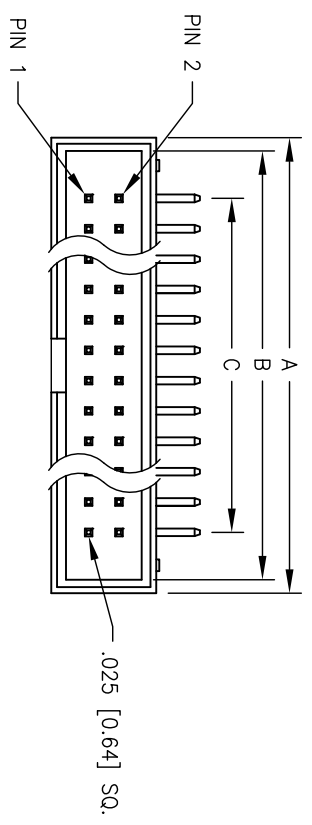


Rev	AWO #	Description	Date	Appr
-		RELEASED	7/28/04	

APPROVED: \_\_\_\_\_  
 DATE: \_\_\_\_\_ TITLE: \_\_\_\_\_



**SPECIFICATION:**  
 Material: Insulator: PBT, rated UL-94V-0  
 Contacts: Brass  
 Contact Plating: Gold Flash over Nickel underplate overall

**Electrical:**  
 Current rating: 3 Amps max.  
 Contact resistance: 20 mohms max  
 Insulation resistance: 5000 Mohms min  
 Dielectric withstanding voltage: 500 VAC / minute

**Temperature Rating:**  
 Operating temperature: -40° TO +105°  
 Environmental:  
 Lead free, RoHS compliant.

A = .100 [2.54] X No. of Positions / 2 + .300 [7.60]  
 B = .100 [2.54] X No. of Positions / 2 + .200 [5.08]  
 C = .100 [2.54] X No. of Spaces

UNLESS OTHERWISE SPECIFIED  
 ALL DIMENSIONS ARE IN INCHES [MM]  
 TOLERANCES: EXCEPT AS NOTED  
 INCHES: .10 ±.10 ØXX ±.015  
 .XX ±.020 ØXXX ±.010  
 .XXX ±.015

**ADAM TECH**

909 Rahway Avenue, Union, NJ 07083  
 Phone: 908-687-5000 Fax: 908-687-5710

TITLE: BOX HEADER, RIGHT ANGLE PCB MOUNT,  
 2 ROW, .100 PITCH, GOLD FLASH PLATED

APPROVALS	DATE	SIZE	PART NO.	SCALE	SHEET	REV.
DRAWN	SS	7/28/04	BHR-XX-HUA	NTS	1	-
CHECKED						
APPROVED						