

Compact Distribution Boxes

Surface-Mounted and Flush-Mounted Compact Distribution Boxes xBoard BC-O-...(-TW)-ECO / BC-U-...(-TW)-ECO

Technical Data

Electrical

Design according to	IEC 439-1, -3
Degree of protection	IP 40
Protection class	II
Rated voltage	400 V AC / 50 Hz
For network systems	TN, TT, IT

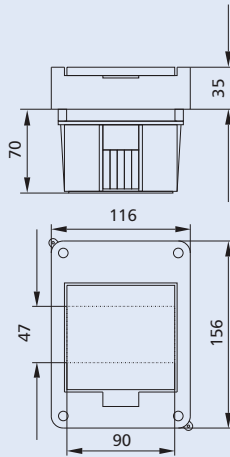
Mechanical

Material	ABS
Colour	RAL 9003
Temperature resistance	-20°C bis +70°C

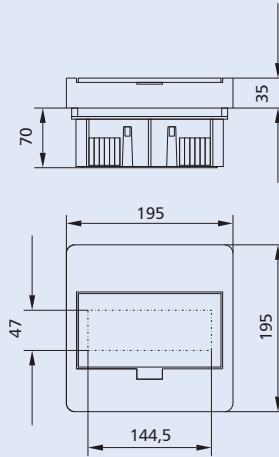
N-PE terminal points	N	PE
BC-...-1/5(-TW)-ECO	4x10 mm ²	4x10 mm ²
BC-...-1/8(-TW)-ECO	8x10 mm ²	8x10 mm ²
BC-...-1/12(-TW)-ECO	12x10 mm ²	12x10 mm ²
BC-...-1/18(-TW)-ECO	18x10 mm ²	18x10 mm ²
BC-...-2/24(-TW)-ECO	2x(12x10 mm ²)	2x(12x10 mm ²)
BC-...-2/36(-TW)-ECO	2x(18x10 mm ²)	2x(18x10 mm ²)
BC-...-3/36(-TW)-ECO	3x(12x10 mm ²)	3x(12x10 mm ²)
BC-O-3/54(-TW)-ECO	3x(18x10 mm ²)	3x(18x10 mm ²)

Dimensions (mm)

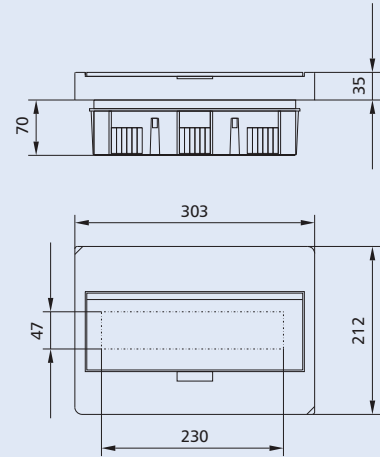
Flush-mounted compact distribution boxes BC-U-...(-TW)-ECO



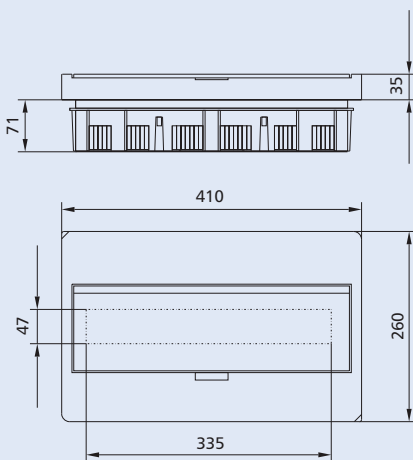
BC-U-1/5(-TW)-ECO



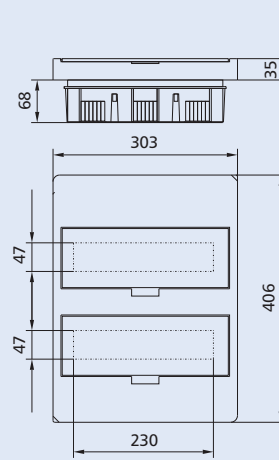
BC-U-1/8(-TW)-ECO



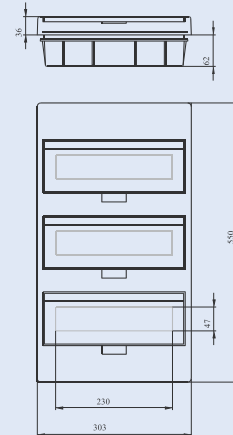
BC-U-1/12(-TW)-ECO



BC-U-1/18(-TW)-ECO



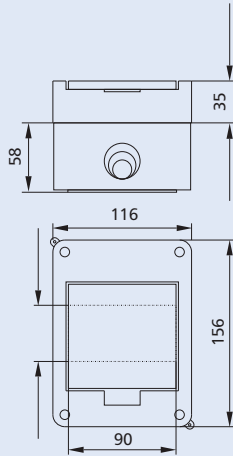
BC-U-2/24(-TW)-ECO



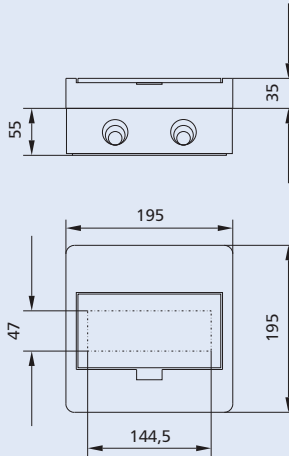
BC-U-3/36(-TW)-ECO

Compact Distribution Boxes

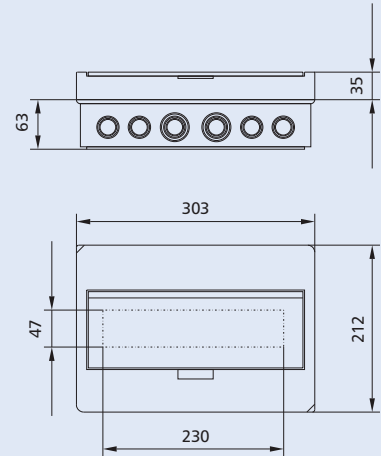
Surface-mounted compact distribution boxes BC-O-...(-TW)-ECO



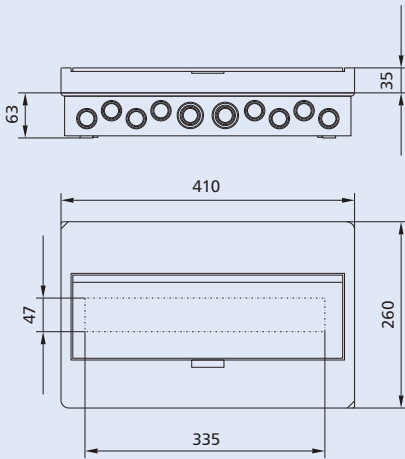
BC-O-1/5(-TW)-ECO



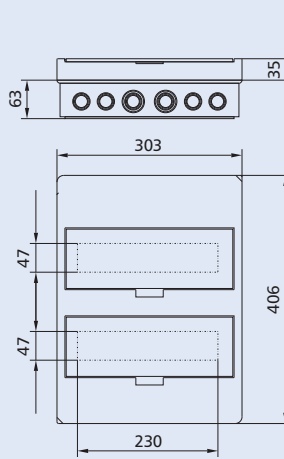
BC-O-1/8(-TW)-ECO



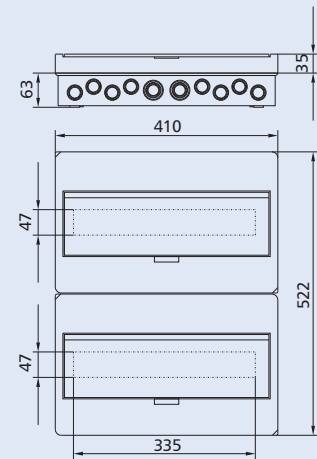
BC-O-1/12(-TW)-ECO



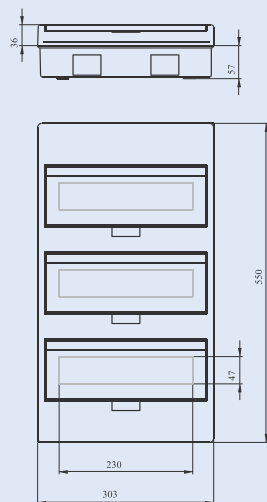
BC-O-1/18(-TW)-ECO



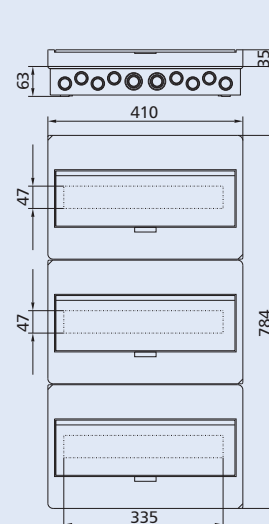
BC-O-2/24(-TW)-ECO



BC-O-2/36(-TW)-ECO



BC-O-3/36(-TW)-ECO



BC-O-3/54(-TW)-ECO