

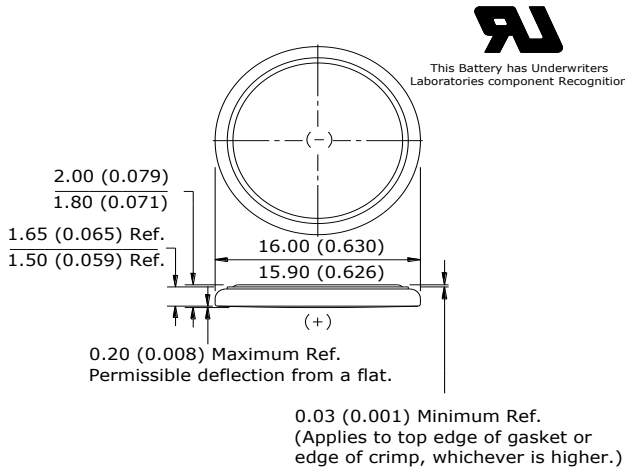
ENERGIZER CR1620

Lithium Coin



Industry Standard Dimensions

mm (inches)



Classification: "Lithium Coin"
Chemical System: Lithium / Manganese Dioxide (Li/MnO₂)
Designation: ANSI / NEDA-5009LC, IEC-CR1620
Nominal Voltage: 3.0 Volts
Typical Capacity: 79 mAh (to 2.0 volts)
 (Rated at 30K ohms at 21°C)
Typical Weight: 1.3 grams (0.04 oz.)
Typical Volume: 0.4 cubic centimeters (0.02 cubic inch)
Max Rev Charge: 1 microampere
Energy Density: 164 milliwatt hr/g, 573 milliwatt hr/cc
Typical Li Content: 0.043 grams (0.0015 oz.)
UL Recognized: MH29980
Operating Temp: -30C to 60C
Self Discharge: ~1% / year

Safety:



(1) KEEP OUT OF REACH OF CHILDREN. Swallowing may lead to serious injury or death in as little as 2 hours due to chemical burns and potential perforation of the esophagus. **Immediately see doctor; have doctor phone (202) 625-3333.**

(2) Battery compartment design. To prevent children from removing batteries, battery compartments should be designed with one of the following methods: a) a tool such as screwdriver or coin is required to open battery compartment or b) the battery compartment door/cover requires the application of a minimum of two independent and simultaneous movements of the securing mechanism to open by hand. Screws should remain captive with the battery door or cover.

Simulated Application test

Typical Performance at 21°C (70°F)

Schedule:	Typical Drains: at 2.9V (mA)	Load (ohms)	Cutoff 2.0V (hours)
Continuous	0.097	30,000	814

Internal Resistance Characteristics

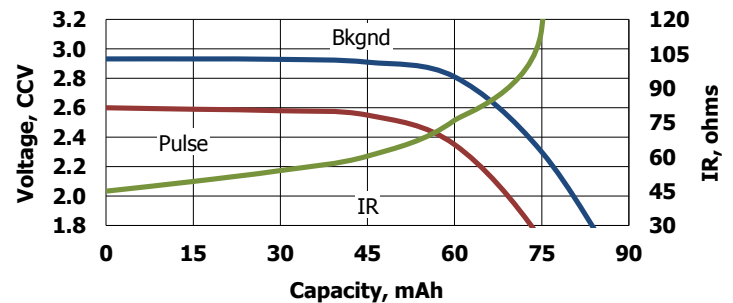
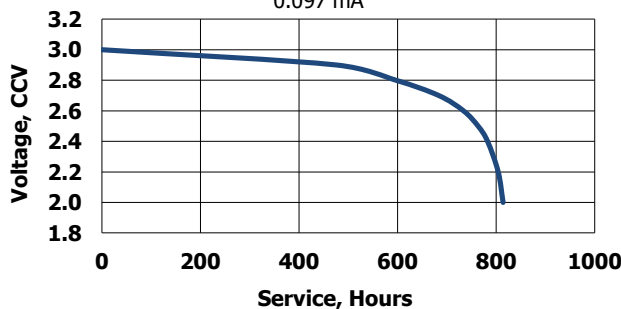
Pulse Test at 21°C (70°F)

Bkgnd Drain: Continuous
30K ohms
0.097 mA @2.9V

Pulse Drain: 2 seconds X 12 times/day
400 ohms
6.5 mA @2.6V

Typical Discharge Characteristics

Load: 30K ohms - Continuous
Typical Drain @ 2.9V:
 0.097 mA



Important Notice

This datasheet contains typical information specific to products manufactured at the time of its publication.
 ©Energizer Holdings, Inc. - Contents herein do not constitute a warranty.