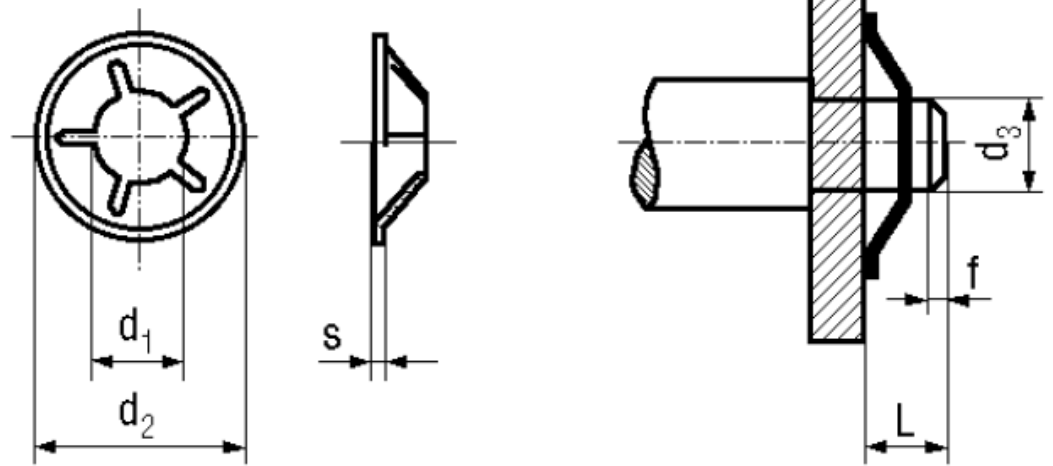


## BN 833

Circlips  
for shaft without groove



Trade mark	Quicklock®	Material	Spring steel
Type	BQ	Surface	black

Article No. - 1292927	
$d_3$ h9	8
$d_1$	7,7
$d_2$	18
s	0,4
L min.	3,5
L max.	10
f max.	0,5

d3: Provided that the stated load is not fully utilized tol. h9 may be replaced by h11.

Number of lock tabs at manufacturer's option..