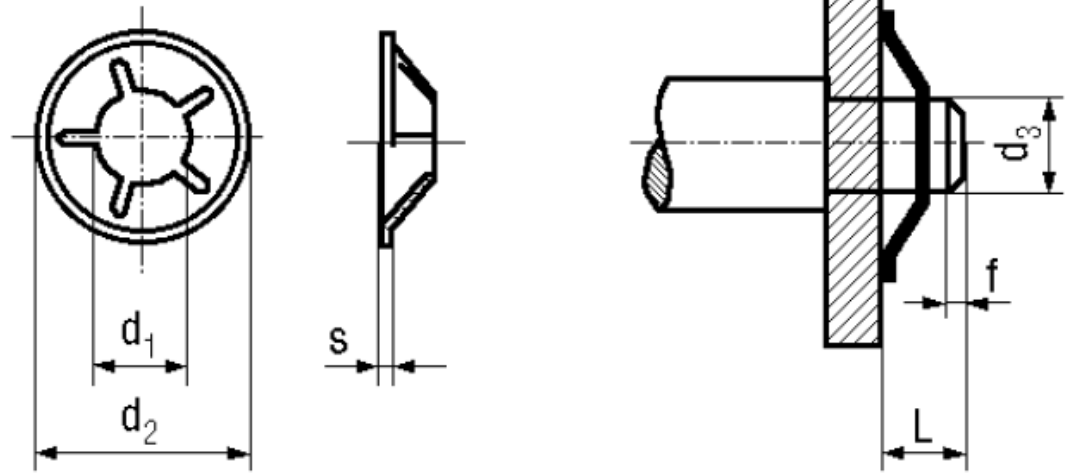


BN 833

Circlips
for shaft without groove



Trade mark	Quicklock®	Material	Spring steel
Type	BQ	Surface	black

Article No. - 1292900

d_3 h9	6
d_1	5,75
d_2	16
s	0,4
L min.	3,5
L max.	10
f max.	0,5

d3: Provided that the stated load is not fully utilized tol. h9 may be replaced by h11.

Number of lock tabs at manufacturer's option..