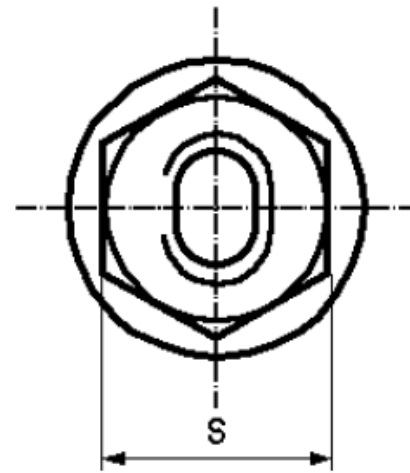
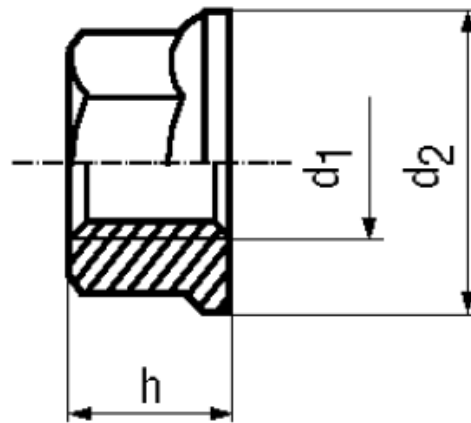


BN 6782 - DIN 6927 - ISO 7044

Prevailing torque type hexagon
flange lock nuts
all metal

DIN 6927
ISO 7044



Material	Steel	Quality	cl. 8
Surface	zinc plated blue		

Article No. - 1793500

d ₁	M6
d ₂ max.	14,2
h max.	7,3
s	10

DIN 6927: Standard withdrawn