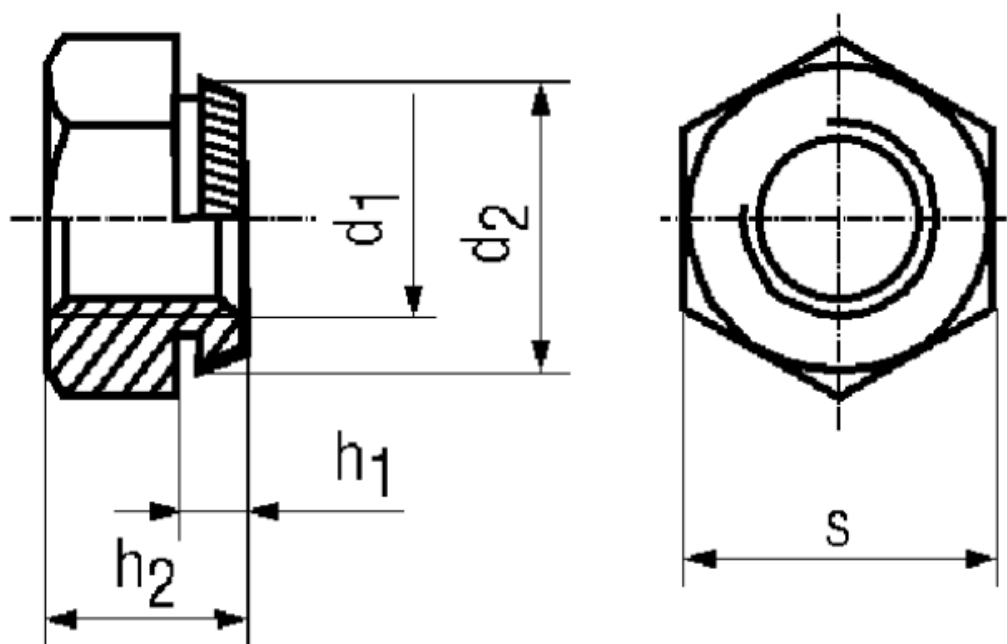


BN 202

Hexagon self clinching nuts
case hardened



Material Surface

Article No. - 1098608

d ₁	M6
h ₁	0,9
Hole size	8
d ₂	8,25
Sheet thicknes min.	1
h ₂	5
s	10
Distance to edge	8,7

Note: Collar height, dimension h₁, available for thicker plates on request.

Fasteners property class ≥ 320 HV zinc plated: susceptible to hydrogen embrittlement!