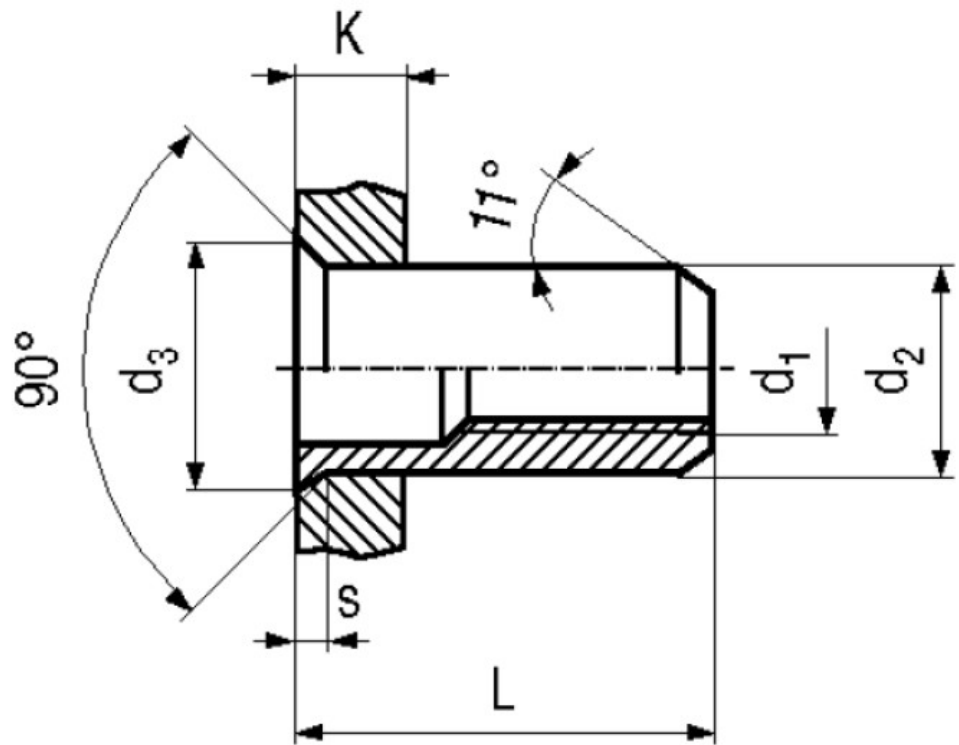


BN 1972

Blind rivet nuts
countersunk head, open type



Trade mark	Tubtara®	Quality	A2
Material	Stainless steel		

Article No. - 2095947

Code	M6 UT/ROS 4,5
d ₁	M6
Hole size	9,1
d ₂	9
d ₃	12
s	1,5
L	17
K	1,5-4,5

Setting tools: CG 3

The flat head rivet nut requires a perfect 90° countersink. After the rivet nut is assembled, the flat head should protrude through the clamped part at least 0,1 mm. During tightening the component that's being fastened will press against the head, consequently preventing the rivet nut from rotating.