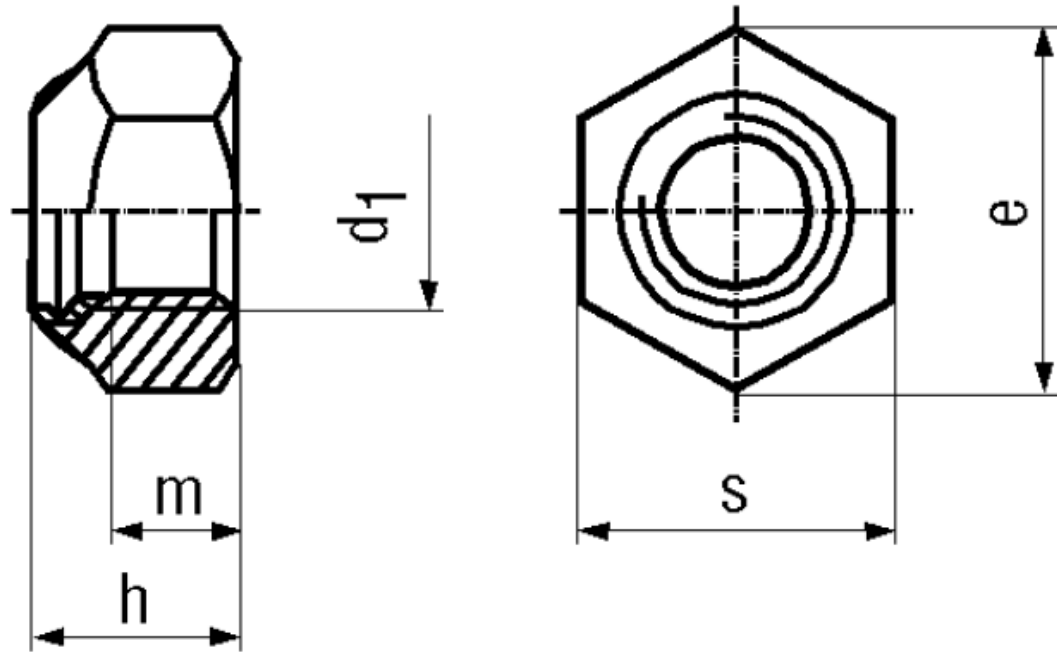


## BN 161 - DIN 985 - ~ISO 10511

Prevailing torque type hexagon lock nuts  
low type, with polyamide insert

DIN 985  
~ISO 10511  
~UNI 7474



Material	Steel	Quality	Cl. 6
Surface	zinc plated blue		

### Article No. - 1444921

$d_1$	M6
e min.	11,05
h max.	6
m	4
s	10

DIN 985: Standard withdrawn  
Property class: At manufacturer's option.