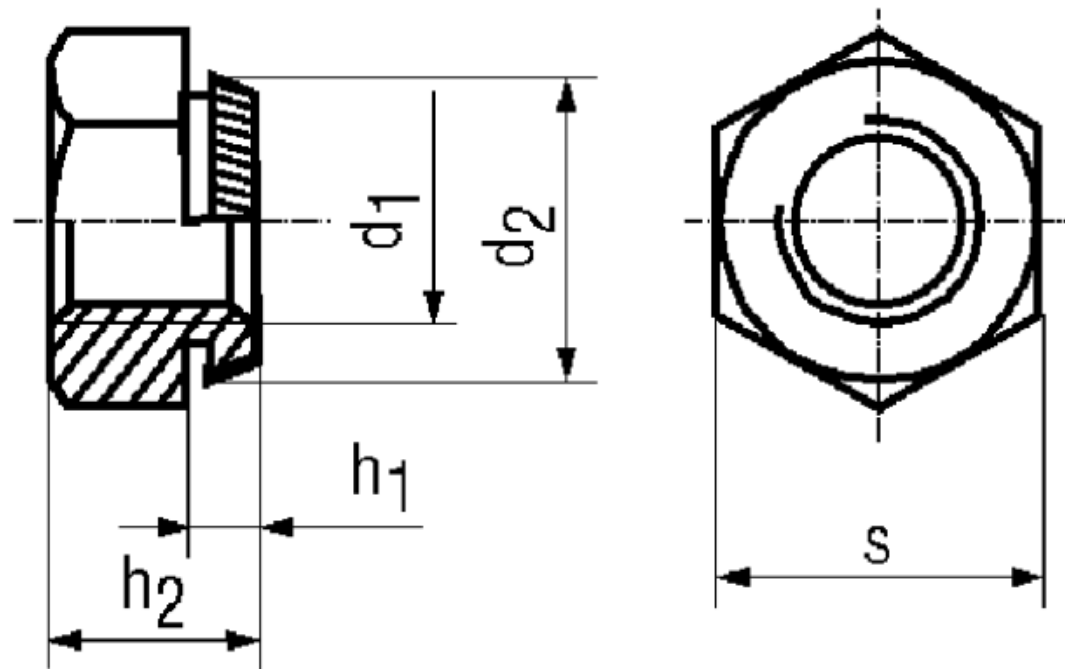


BN 201

Hexagon self clinching nuts
case hardened



Material	Steel	Hardness	550 HV
Surface	zinc plated blue		

Article No. - 1098497

d_1	M5
h_1	0,9
Hole size	6,5
d_2	6,75
Sheet thicknes min.	1
h_2	4
s	8
Distance to edge	7

Note: Collar height (dimension h_1) available for thicker plates on request.