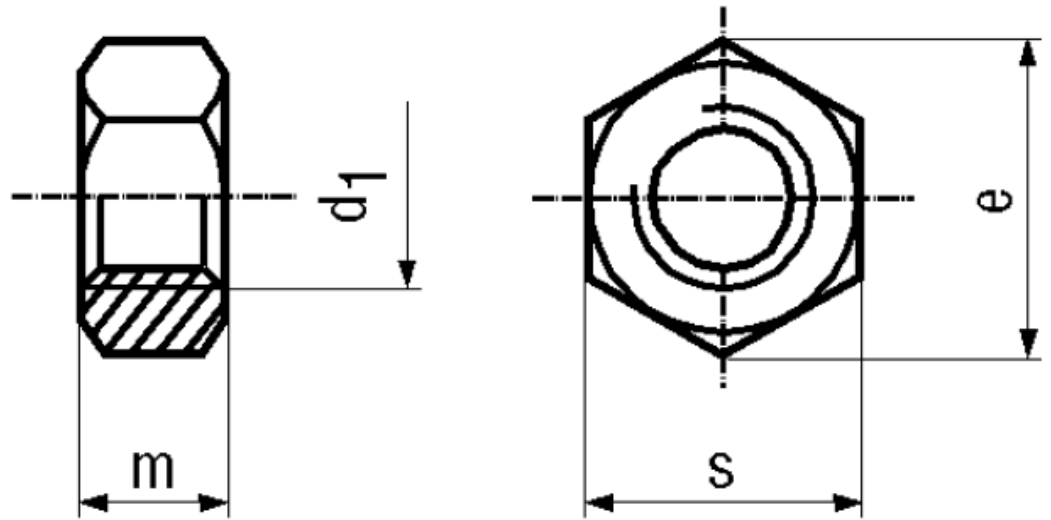


BN 629 - DIN 934 - ~ISO 4032

Hexagon nuts ~0,8d

DIN 934
~ISO 4032
~UNI 5588



Material **Stainless steel** Quality **A4**

Article No. - 1241656

d_1	M5
e min.	8,79
s	8
m max.	4

DIN 934: Standard withdrawn

Hexagon nuts type 1 ISO 4032: BN 5713 / BN 2586