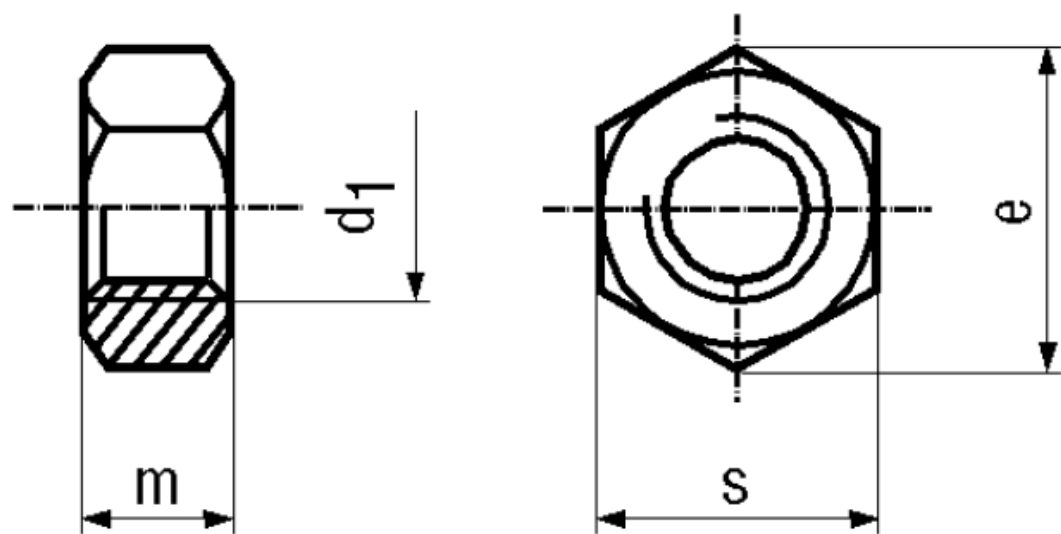


BN 505 - DIN 934 - ~ISO 4032

Hexagon nuts ~0,8d

DIN 934
~ISO 4032
~UNI 5588



Material Surface

Article No. - 1195417

d_1

M5

e min.

8,79

s

8

m max.

4

DIN 934: Standard withdrawn

Wrench size according to ISO on request.