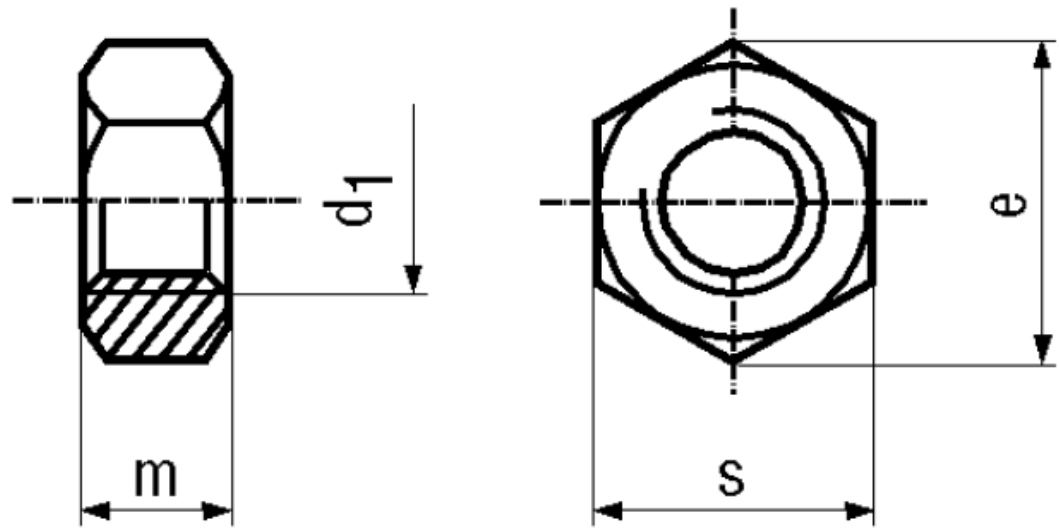


## BN 115 - DIN 934 - ~ISO 4032

Hexagon nuts ~0,8d

DIN 934  
~ISO 4032  
~UNI 5588



|          |       |         |       |
|----------|-------|---------|-------|
| Material | Steel | Quality | cl. 8 |
| Surface  | plain |         |       |

### Article No. - 1089021

|        |      |
|--------|------|
| $d_1$  | M5   |
| e min. | 8,79 |
| s      | 8    |
| m max. | 4    |

DIN 934: Standard withdrawn  
M10; M12; M14: new WAFs according to ISO 272.